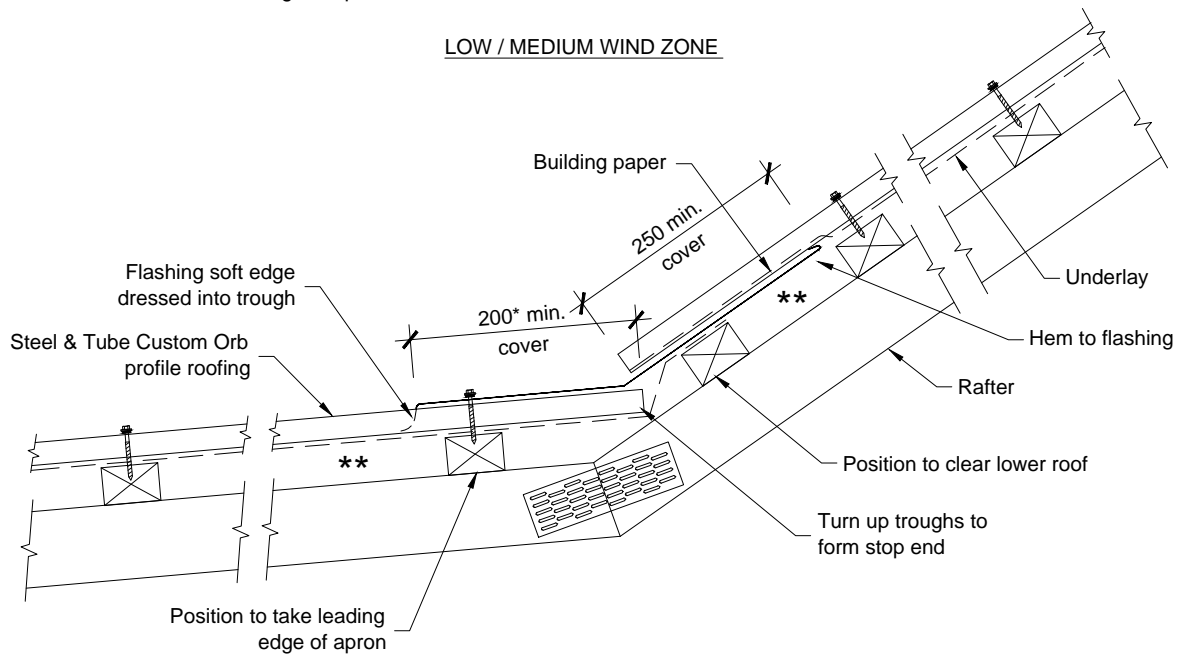


LOW / MEDIUM WIND ZONE



HIGH / VERY HIGH WIND ZONE

**Note:**

- \* Alternatively 150 cover with addition of profiled foam sealer above purlin line
- \*\* Purlin spacing to suit end span situation

corb\_custom\_orb-roof\_pitch\_chg

**Custom Orb Change Of Pitch  
Cross Section**

All dimensions in millimetres  
Scale 1:10  
16/01/12