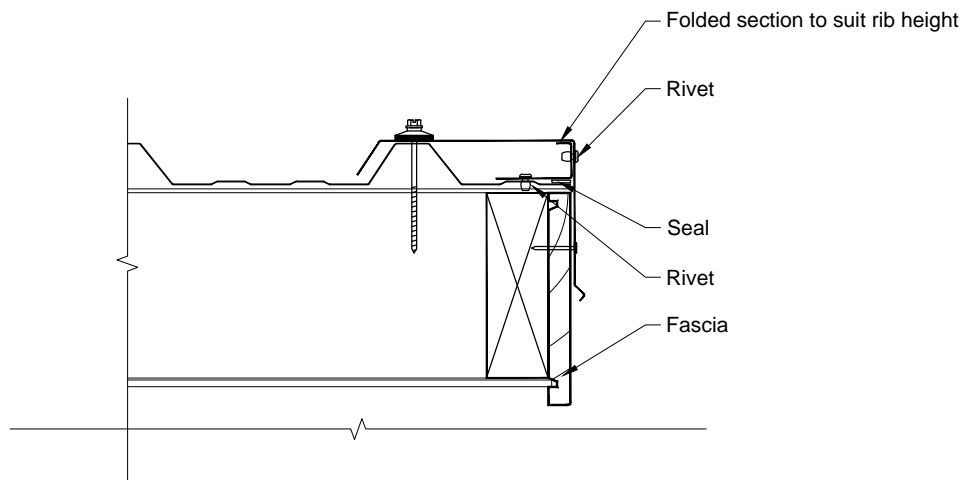


Plan
1:10



Section AA
1:5

ribb_trimform-barg_transition

Transition Barge for Rib Profile
Where Rib is Not in Line with Profile

All dimensions in millimetres
Scale 1:10
16/01/12