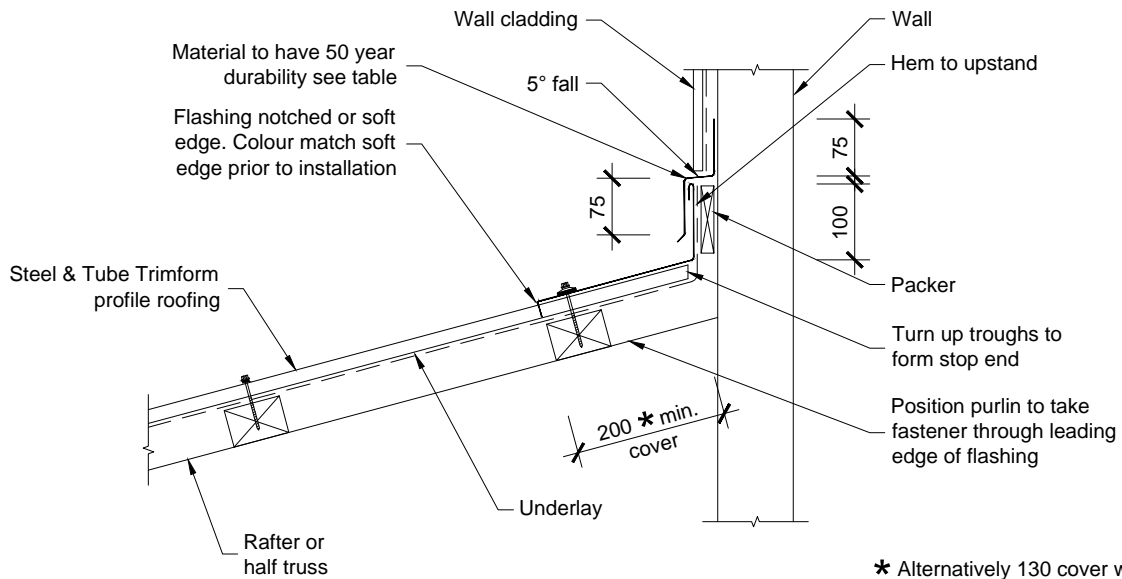


LOW / MEDIUM / HIGH WIND ZONES WHERE PITCH  $\geq 10^\circ$



VERY HIGH WIND ZONES WHERE PITCH  $\geq 10^\circ$   
ALL WIND ZONES WHERE PITCH  $< 10^\circ$

\* Alternatively 130 cover with addition of profiled foam sealer above purlin line

ribb\_trimform-head\_apron

**Rib Profile Head Apron Flashing  
Cross Section**

All dimensions in millimetres  
Scale 1:10  
16/01/12