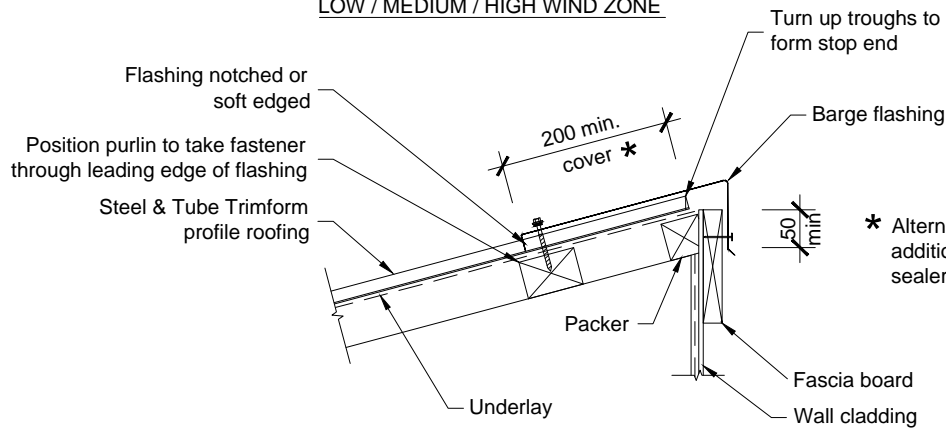
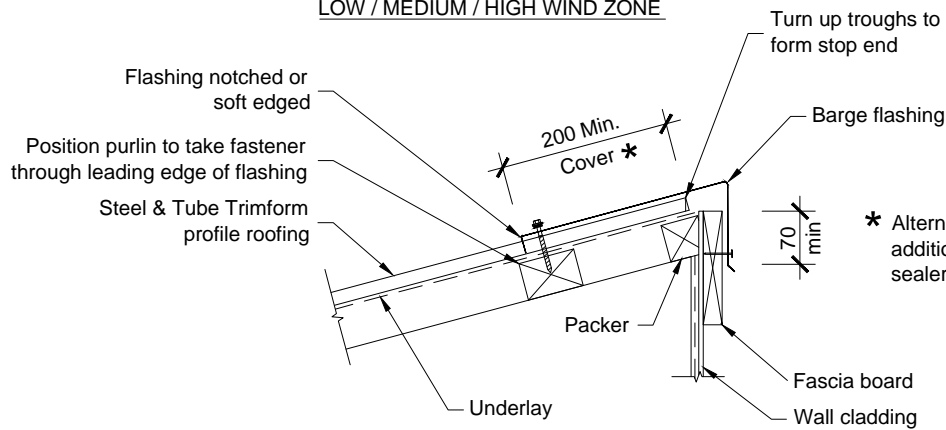


**ROOF PITCH $\geq 10^\circ$
LOW / MEDIUM / HIGH WIND ZONE**



* Alternatively 130 cover with addition of profiled foam sealer above purlin line

**ROOF PITCH $< 10^\circ$
LOW / MEDIUM / HIGH WIND ZONE**



* Alternatively 130 cover with addition of profiled foam sealer above purlin line

**ALL PITCHES
VERY HIGH WIND ZONE**

ribb_trimform-roof_head_flash

**Rib Profile Head Barge Flashing
Cross Section**

All dimensions in millimetres
Scale 1:10
16/01/12