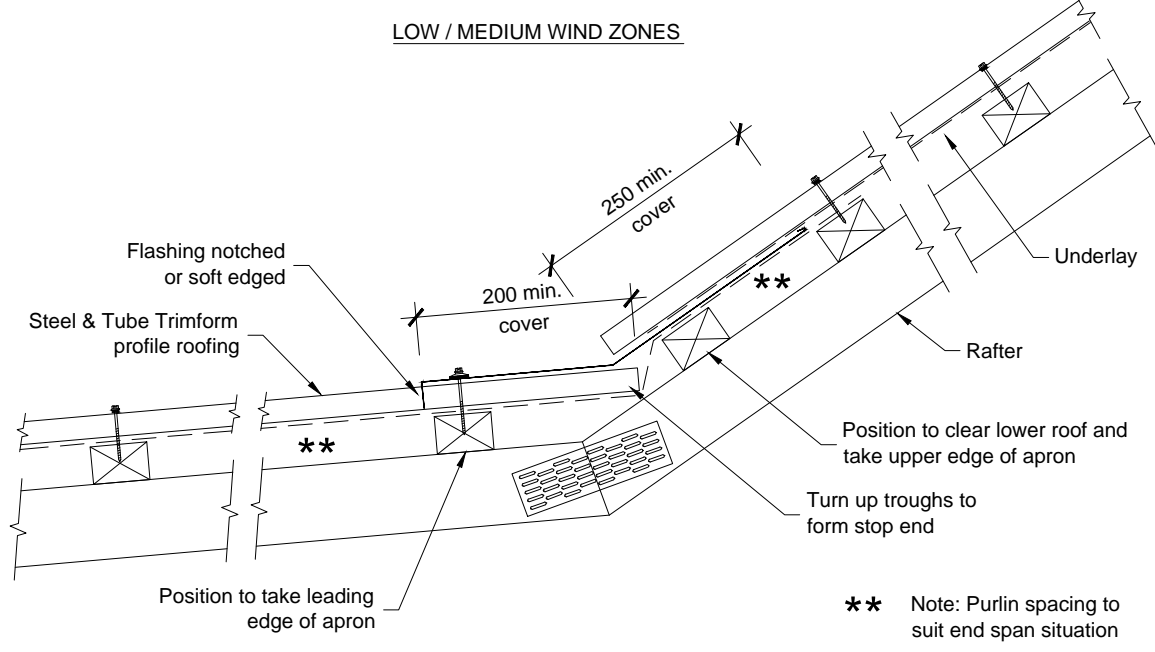


LOW / MEDIUM WIND ZONES



HIGH / VERY HIGH WIND ZONES

ribb_trimform-roof_pitch_chg

**Rib Profile Change Of Pitch
Cross Section**

All dimensions in millimetres
Scale 1:10
16/01/12