

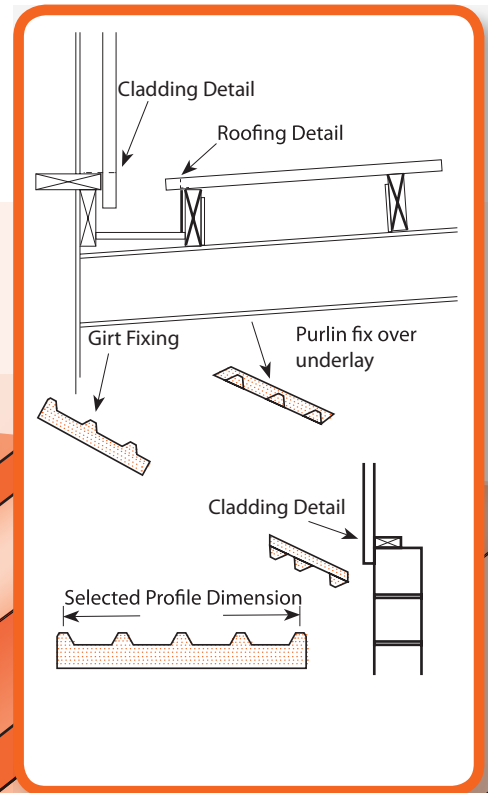
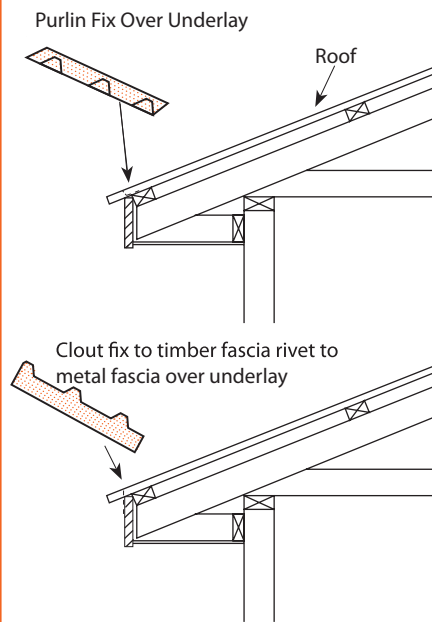
VENTPERF®

Stops Undesirable Elements From Getting Under Your Roof

Consisting of **specially designed** perforated metal strip, Ventperf is cut to the shape of your long run metal roofing profile and custom fitted into the voids where it is trimmed at the eaves.

Ventperf can save you unwanted maintenance and repair bills because its **unique design will prevent** entry by **rodents and other pests**. It will also keep leaves and other debris from being blown into the roof cavity.

Each of these events can damage your roof and reduce the ability for air to circulate and keep the underside dry. **Ventperf is available to fit all roofing profiles**. It can be fitted at the same time your house is built or as a retrofit.



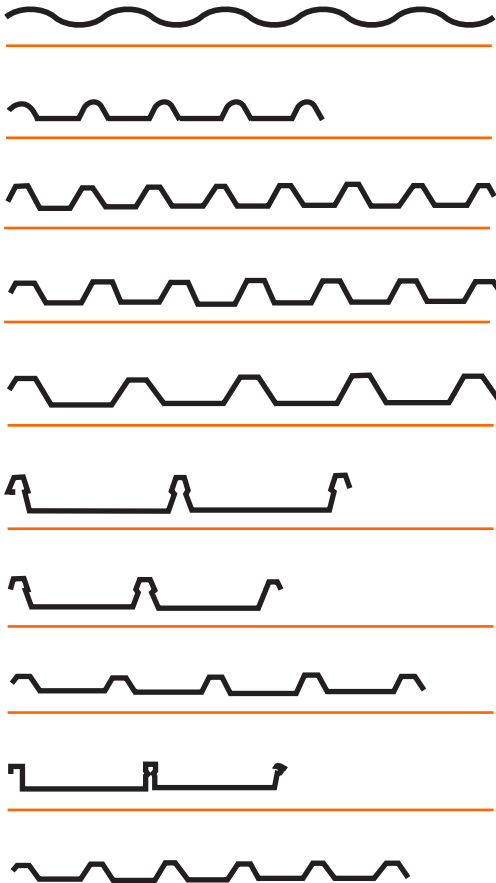
Available from
your nearest
Steel & Tube
Roofing Branch
0800 427 663



VENTPERF®

Stops Undesirable Elements From Getting Under Your Roof

Ventperf is available to fit all roofing profiles



- Ventperf is cut and custom fitted to fit all roofing profiles.
- Snug fit prevents rodents, birds and wind blown debris from getting under eaves.
- Ventperf is easily fixed to purlins over underlay or to fascia before spouting is installed.
- Available in 55mm Titania Coloursteel and 55mm Zinalume. Also available... Stainless Steel, Copper, Aluminium, - P.O.A
- Perforations allow air to circulate, keeping the underside of your roof dry.
- Can be used in custom applications - P.O.A
- Passive ventilation applications.