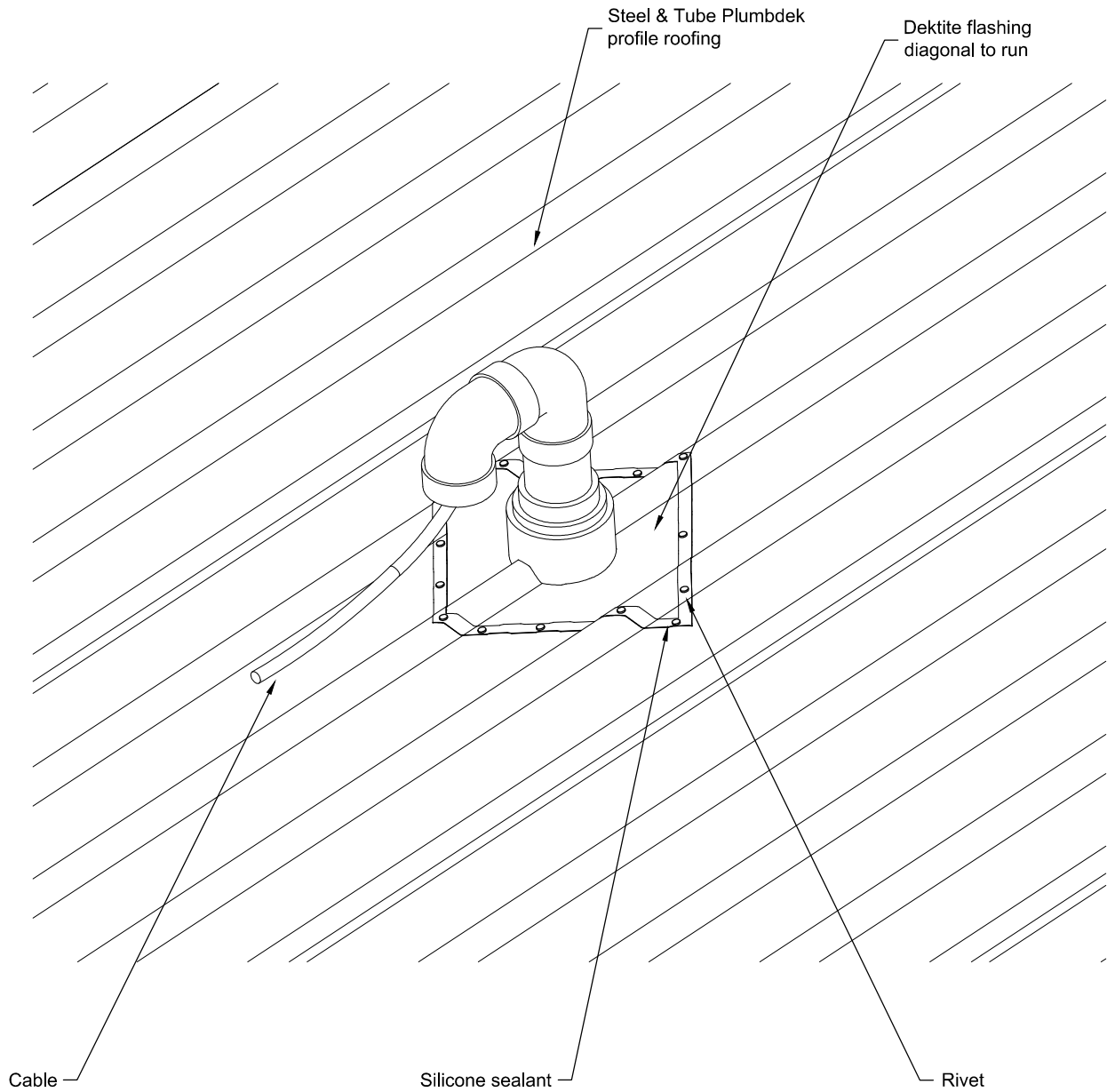


comm_plumbdek-barg_flash

Barge Flashing
Cross Section

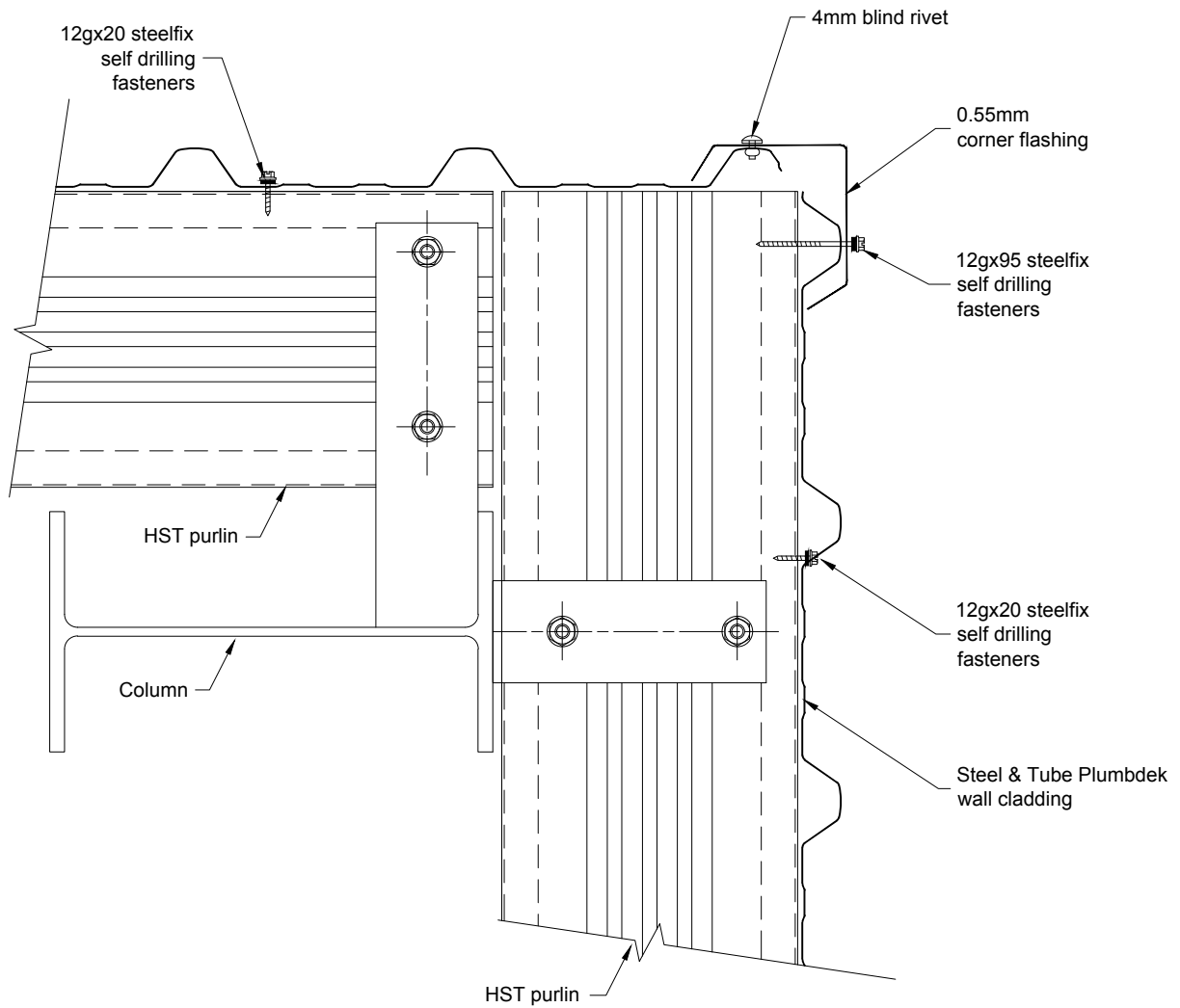
All dimensions in millimetres
Scale 1:5
16/01/12



comm_plumbdek-cabl_entry

Cable Entry

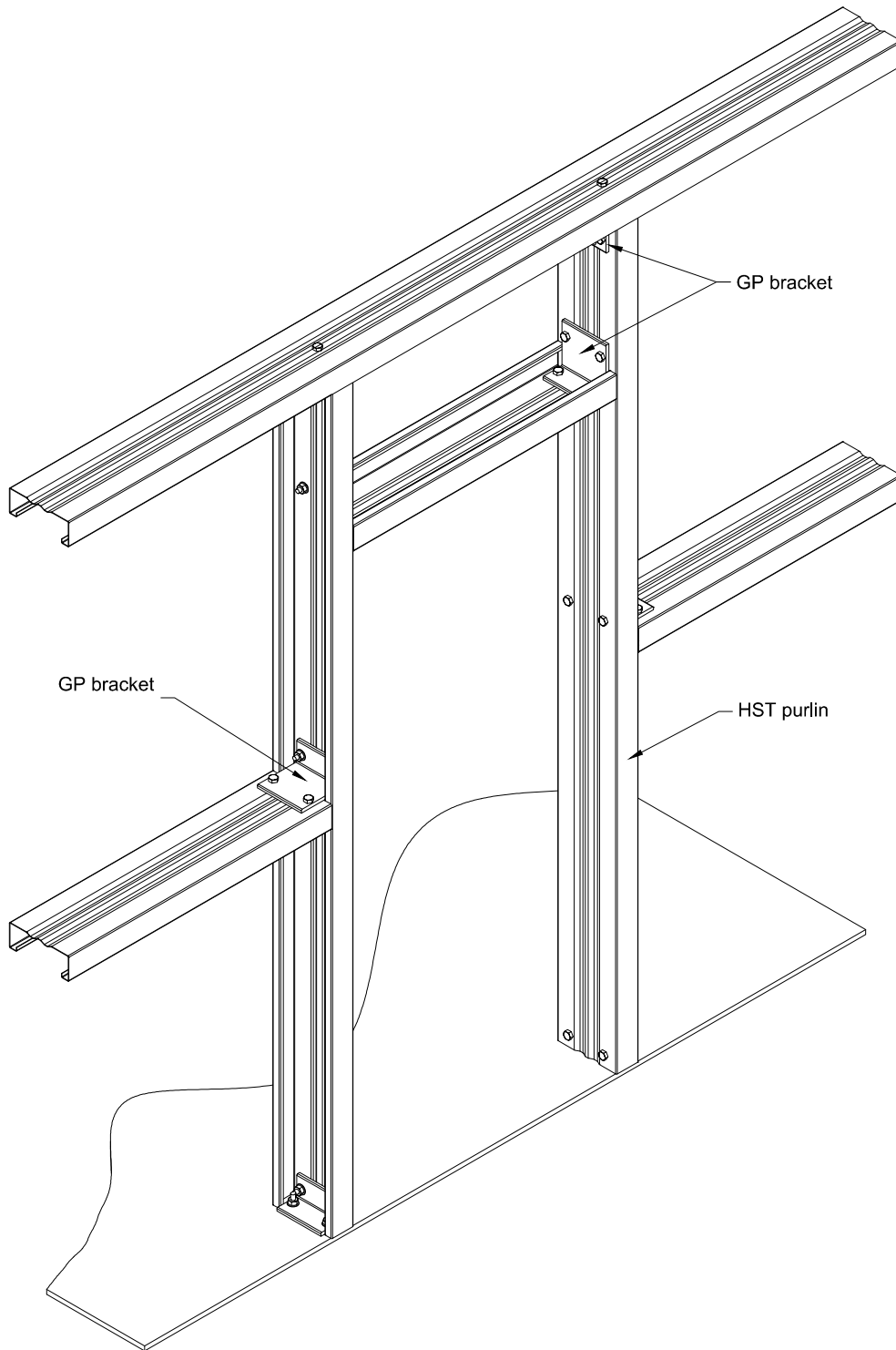
All dimensions in millimetres
Scale 1:10
16/01/12



comm_plumbdek-corn_external

Wall Cladding-corner Flashing
Plan View

All dimensions in millimetres
Scale 1:5
16/01/12



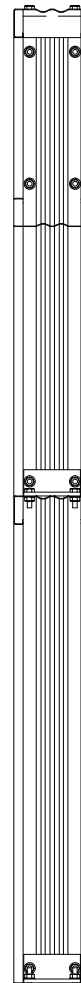
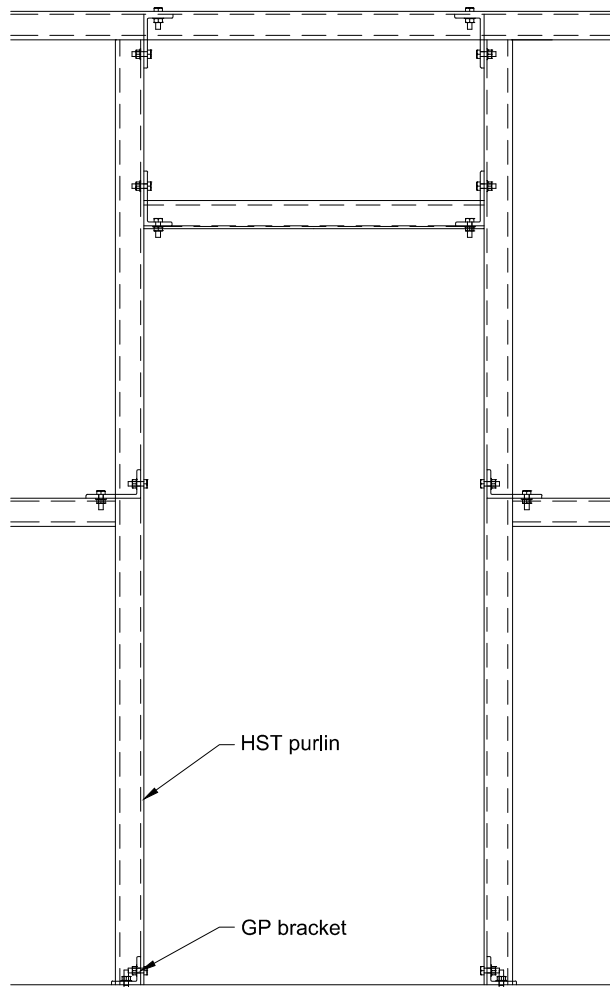
comm_plumbdek-door_open_iso

Wall Cladding - Door Opening
Isometric View

All dimensions in millimetres
Scale 1:5
16/01/12

ELEVATION

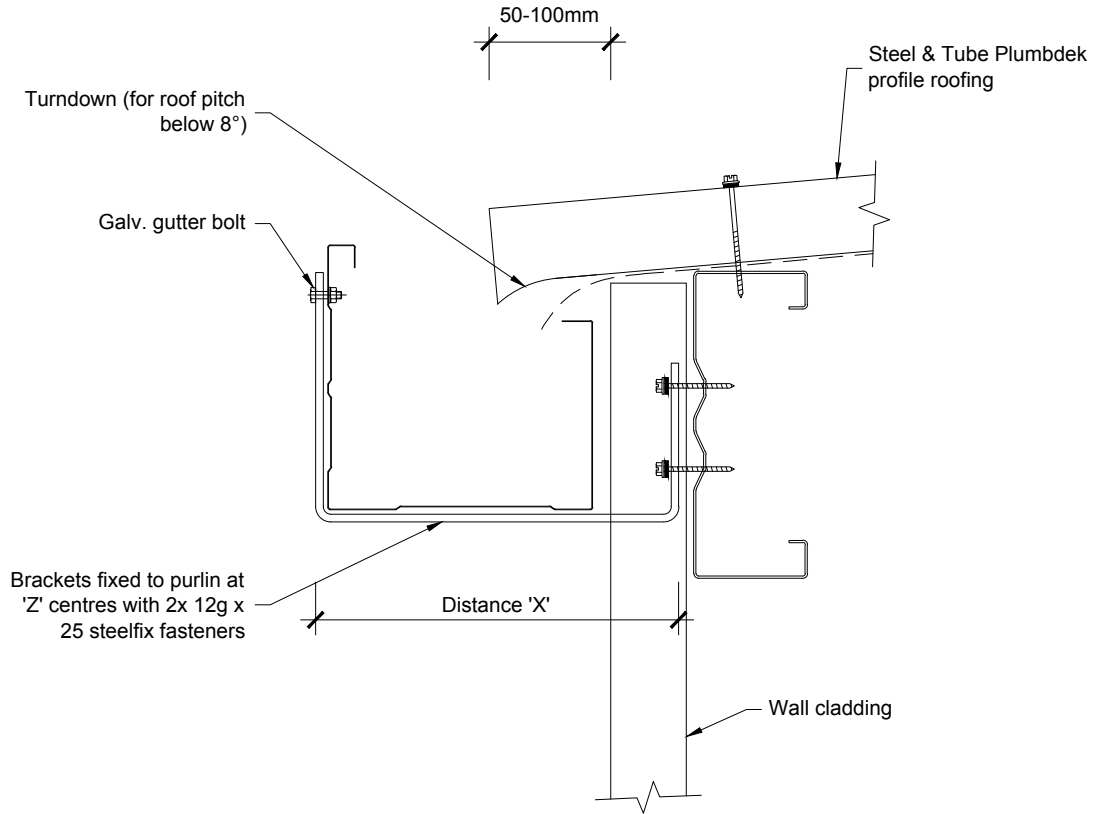
SIDE VIEW



comm_plumbdek-door_open_ortho

Wall Cladding - Door Opening

All dimensions in millimetres
Scale 1:5
16/01/12

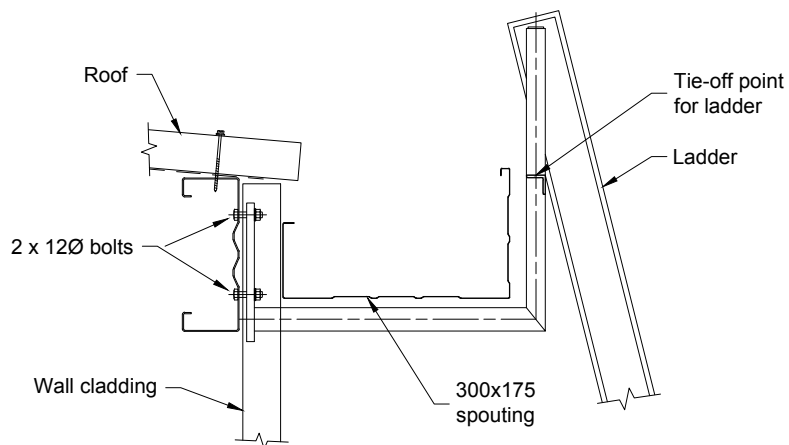
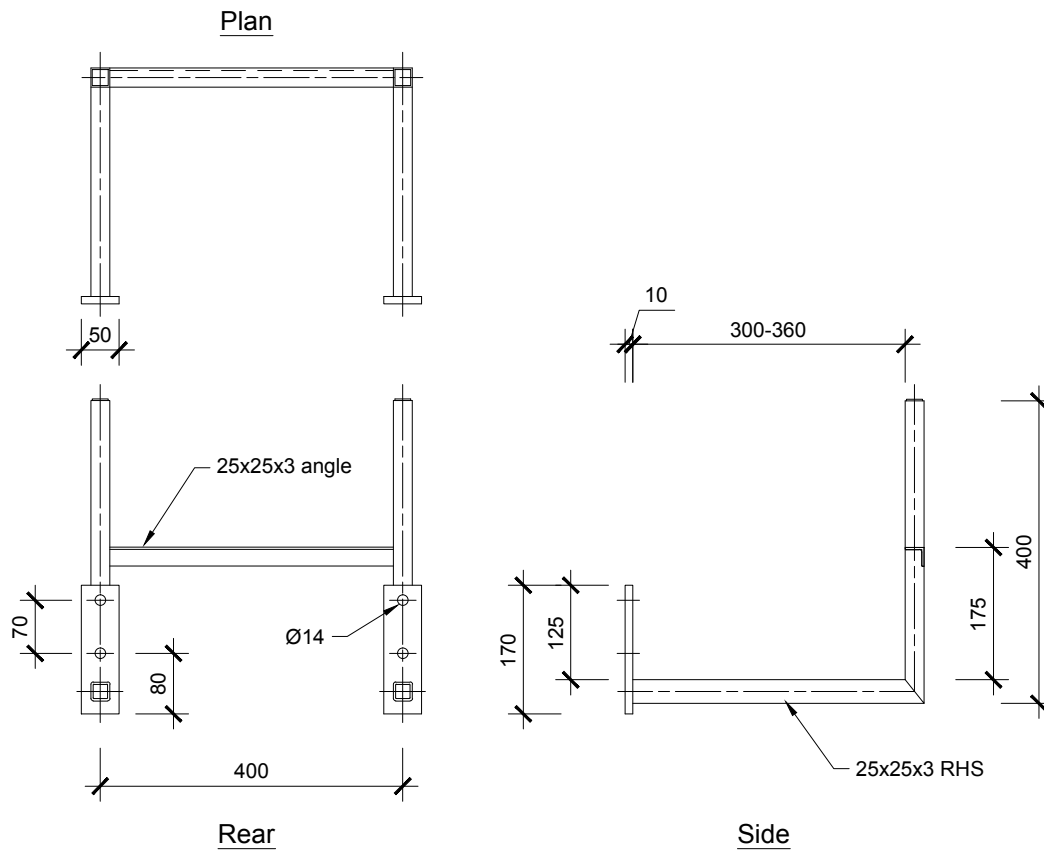


| Roof Area Drained | Downpipe Size | Gutter Size | Cladding Depth | Dimension "X" | Bracket Size | "Z" Centres |
|-------------------|-----------------|-------------|----------------|---------------|--------------|-------------|
| 150 | Ø100 or 100x75 | ST175 | Flat | 180 | 30x5 | 900 |
| | | | Low (28mm) | 210 | 30x5 | |
| Medium (38mm) | 220 | | 30x5 | | | |
| High (55mm) | 235 | | 30x5 | | | |
| 250 | Ø150 or 125x100 | ST300 | Flat | 305 | 40x5 | 600 |
| | | | Low (28mm) | 335 | 40x5 | |
| Medium (38mm) | 345 | | 40x5 | | | |
| High (55mm) | 360 | | 40x5 | | | |
| 350 | Ø150 or 150x100 | | | | | |
| 400 | Ø200 or 200x100 | | | | | |

comm_plumbdek-gutter

Gutter Detail
Cross Section

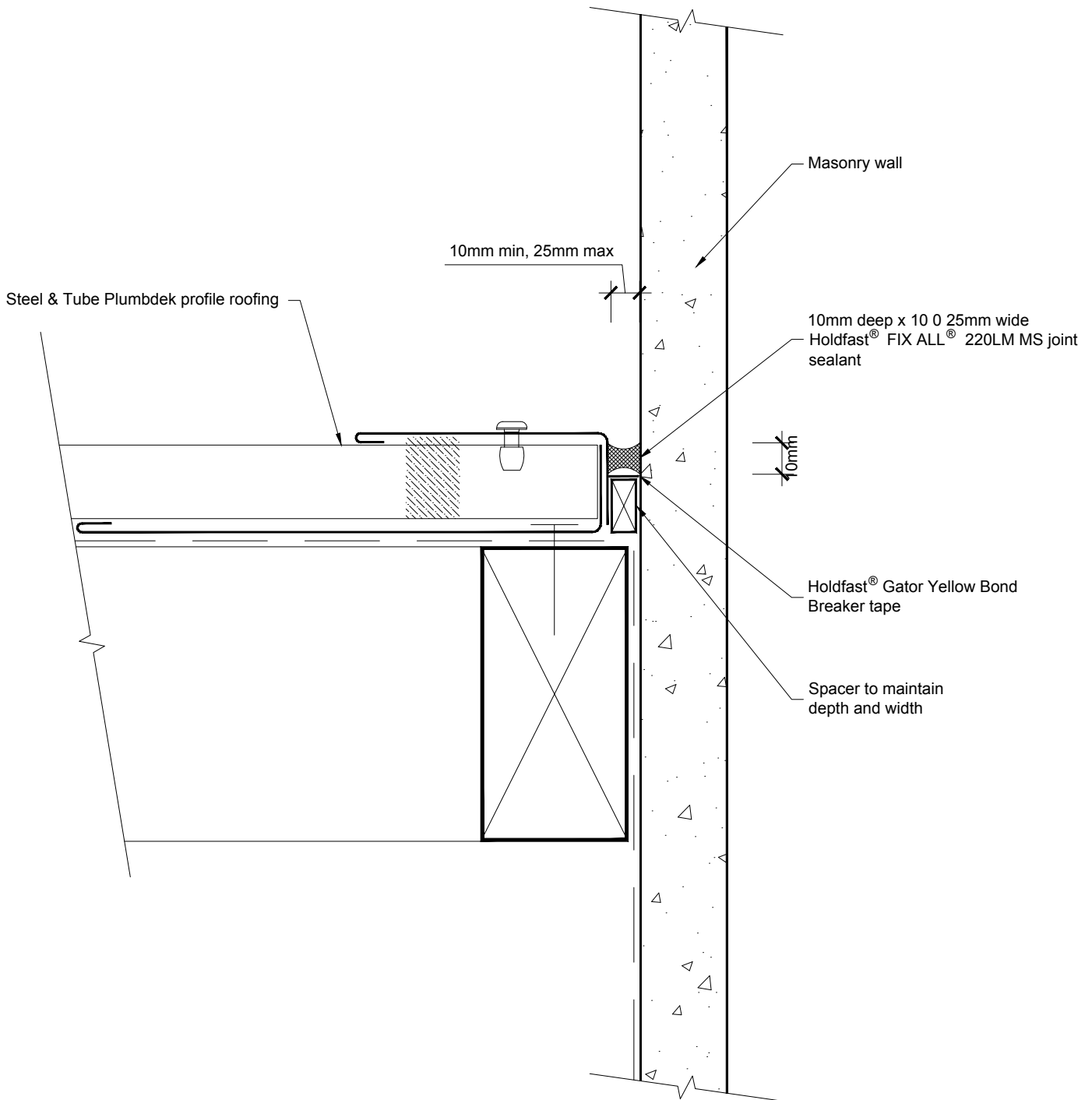
All dimensions in millimetres
Scale 1:5
16/01/12



comm_plumbdek-gutt_ladder_bracket

Ladder Gutter Bracket (position At Point Of Access To Roof)

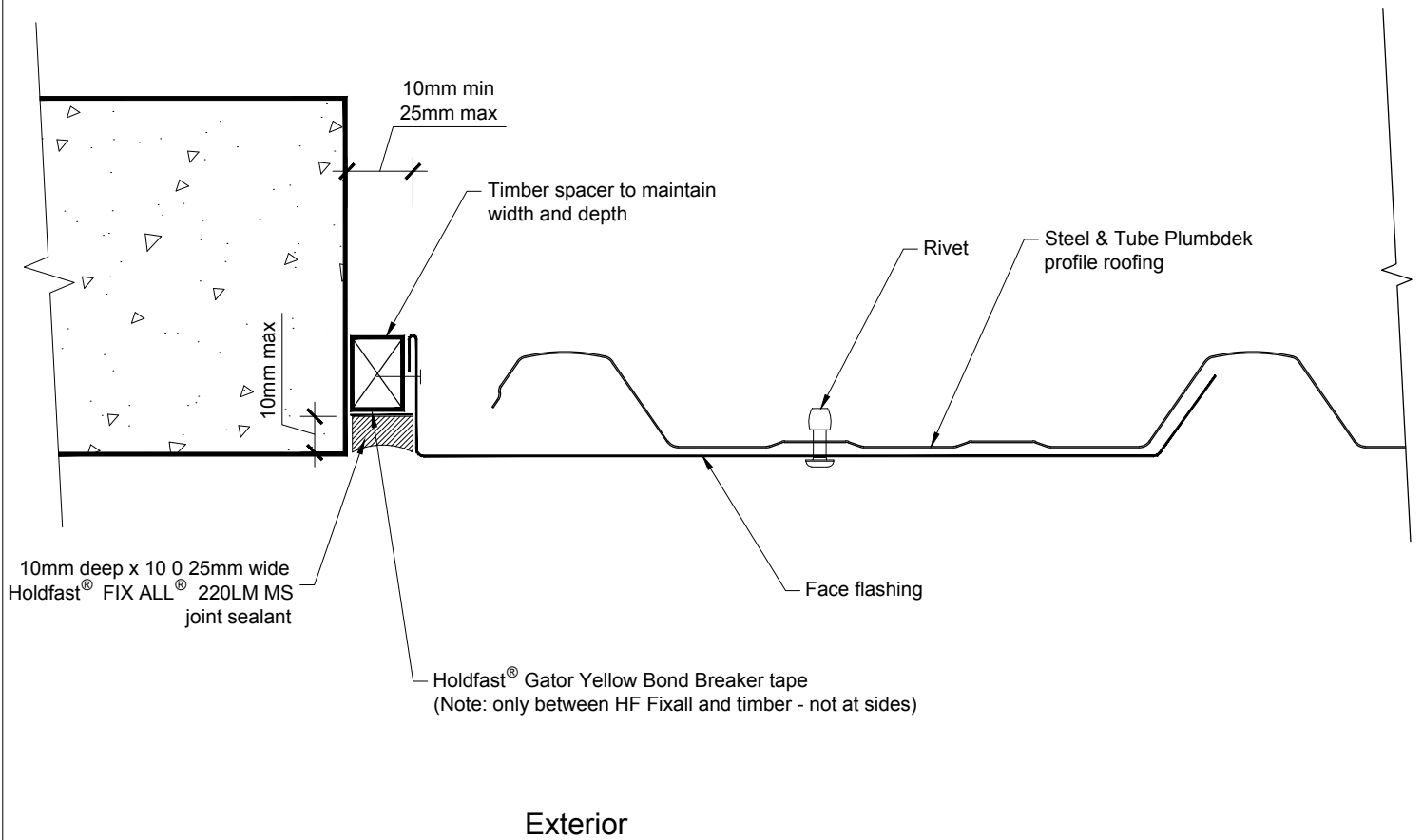
All dimensions in millimetres
Scale 1:10
16/01/12



comm_plumbdek-jctn_hori-clad_wall

Junction Between Horizontal Metal Cladding and Masonry Wall

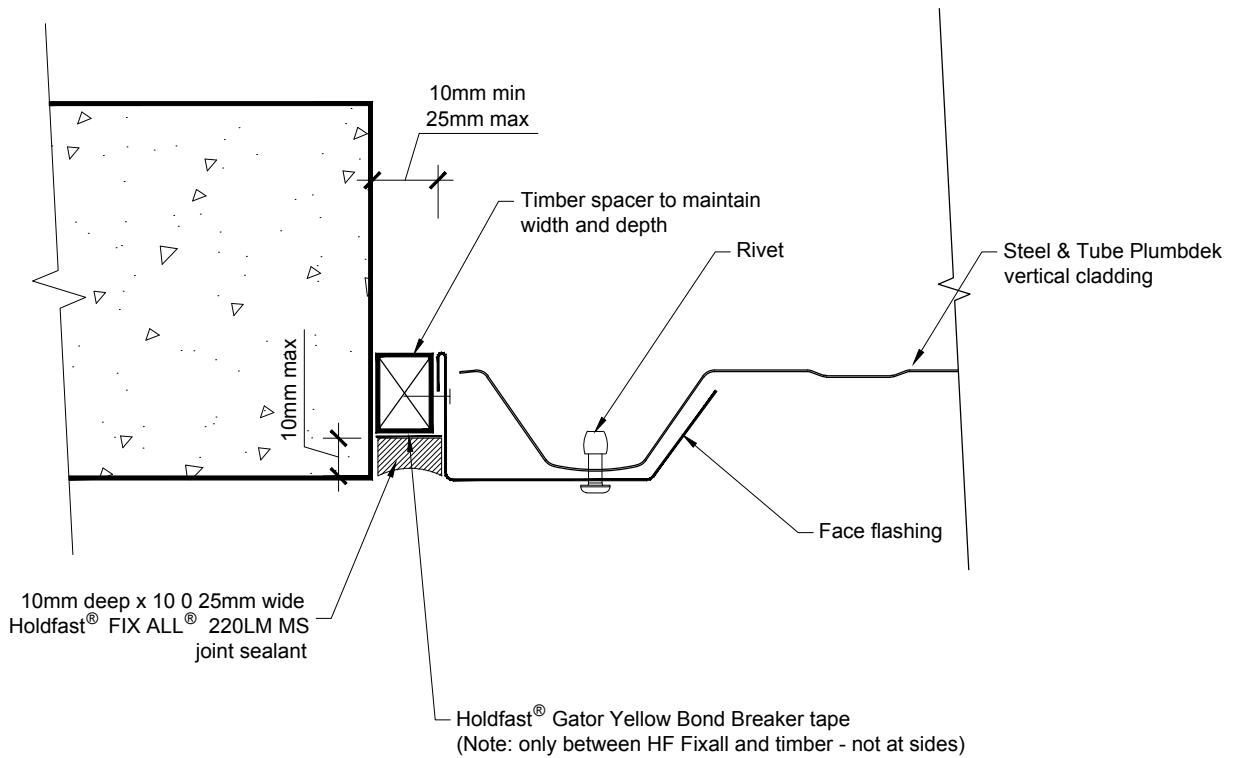
All dimensions in millimetres
Scale 1:2
16/01/12



comm_plumbdek-jctn_tilt_wall_1

**Tilt Panel / Wall Junction
Vertical Cladding Cross Section**

All dimensions in millimetres
Scale 1:2
16/01/12

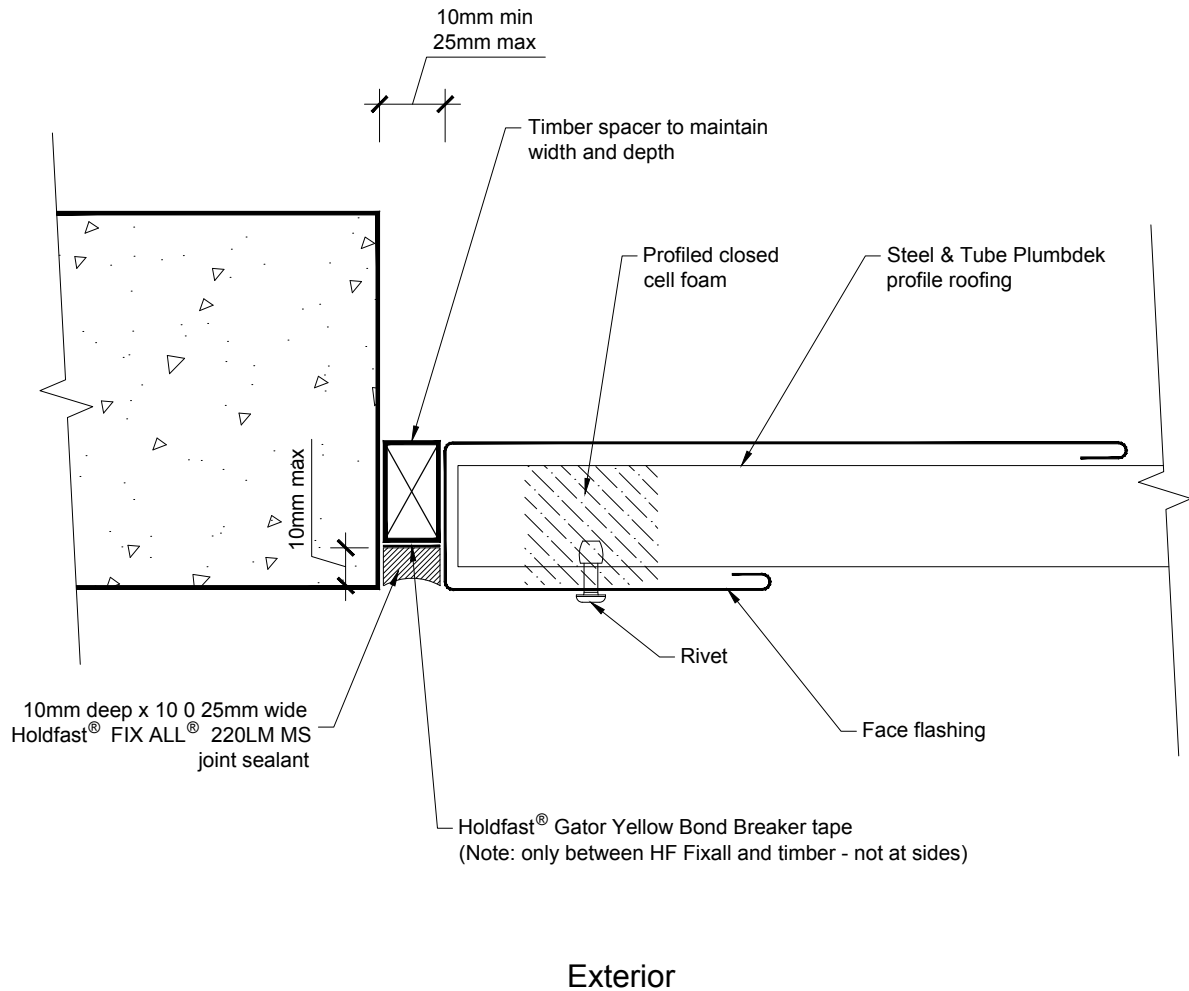


Exterior

comm_plumbdek-jctn_tilt_wall_2

**Tilt Panel / Wall Junction
Vertical Cladding Cross Section**

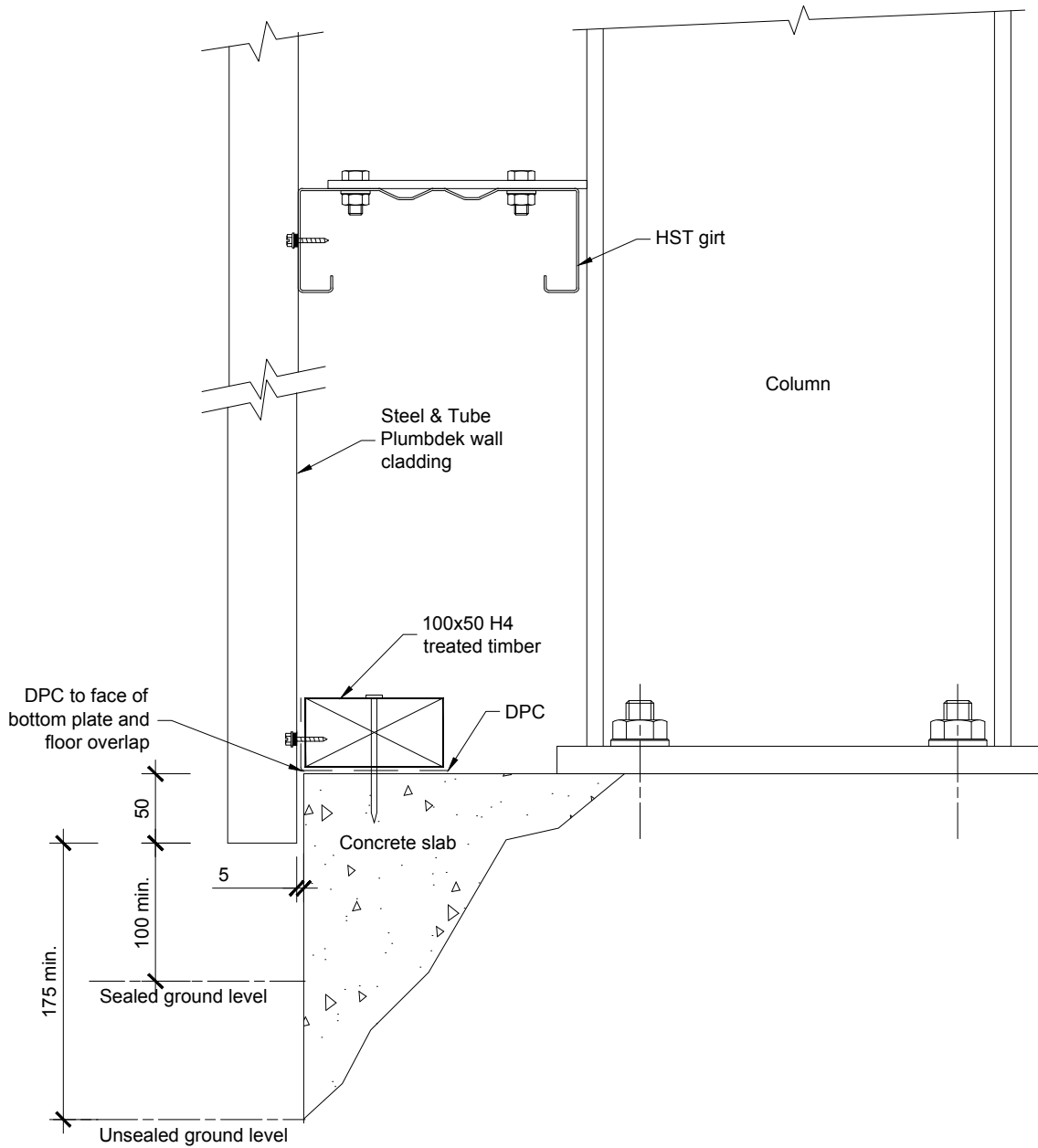
All dimensions in millimetres
Scale 1:2
16/01/12



comm_plumbdek-jctn_tilt_wall-hori

**Tilt Panel / Wall Junction
Horizontal Cladding Cross Section**

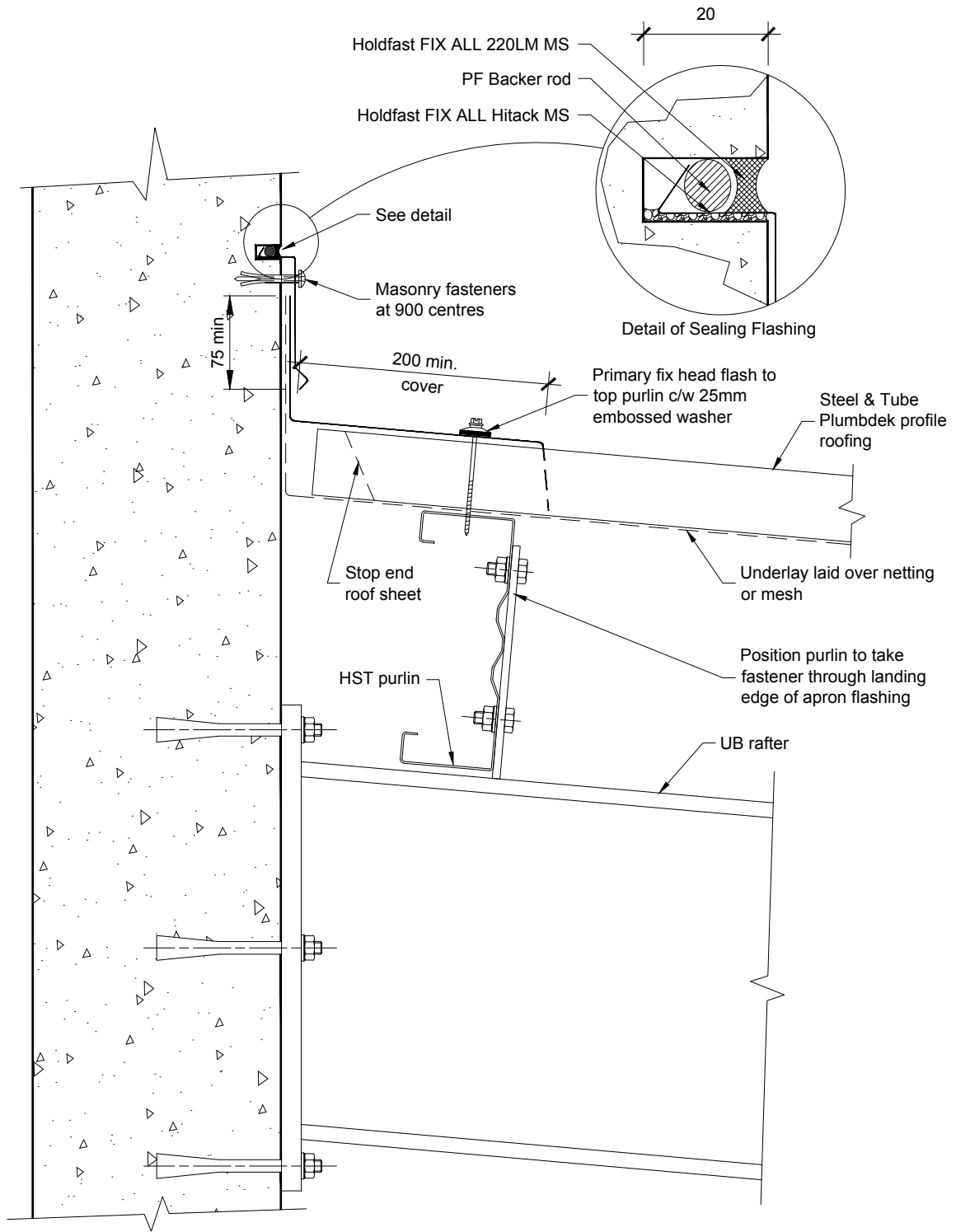
All dimensions in millimetres
Scale 1:2
16/01/12



comm_plumbdek-jctn_wall_floor

Wall Cladding - Floor Junction
Cross Section

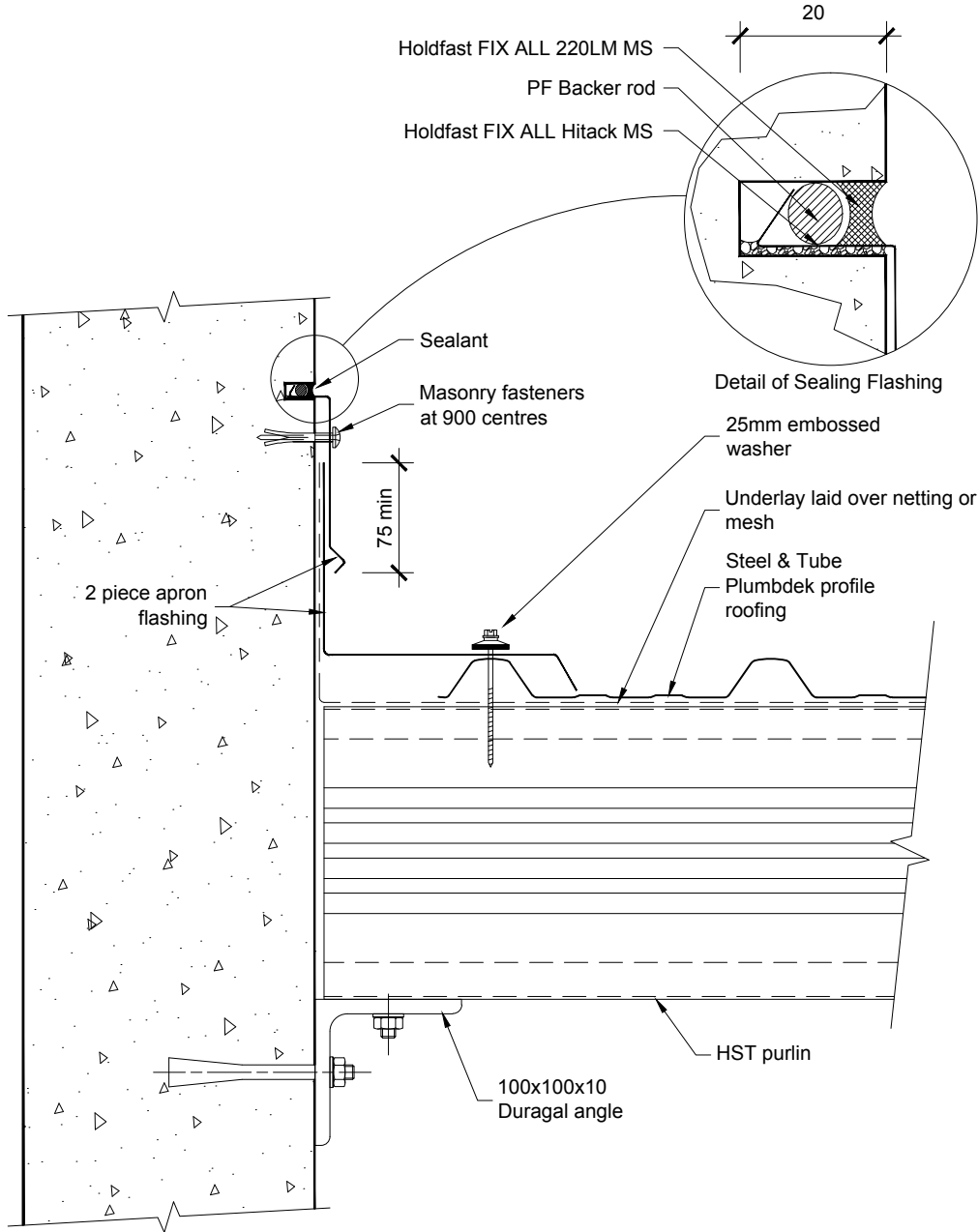
All dimensions in millimetres
Scale 1:5
16/01/12



comm_plumbdek-para_chased_head_flash

Chased Parapet Head Flashing
Cross Section

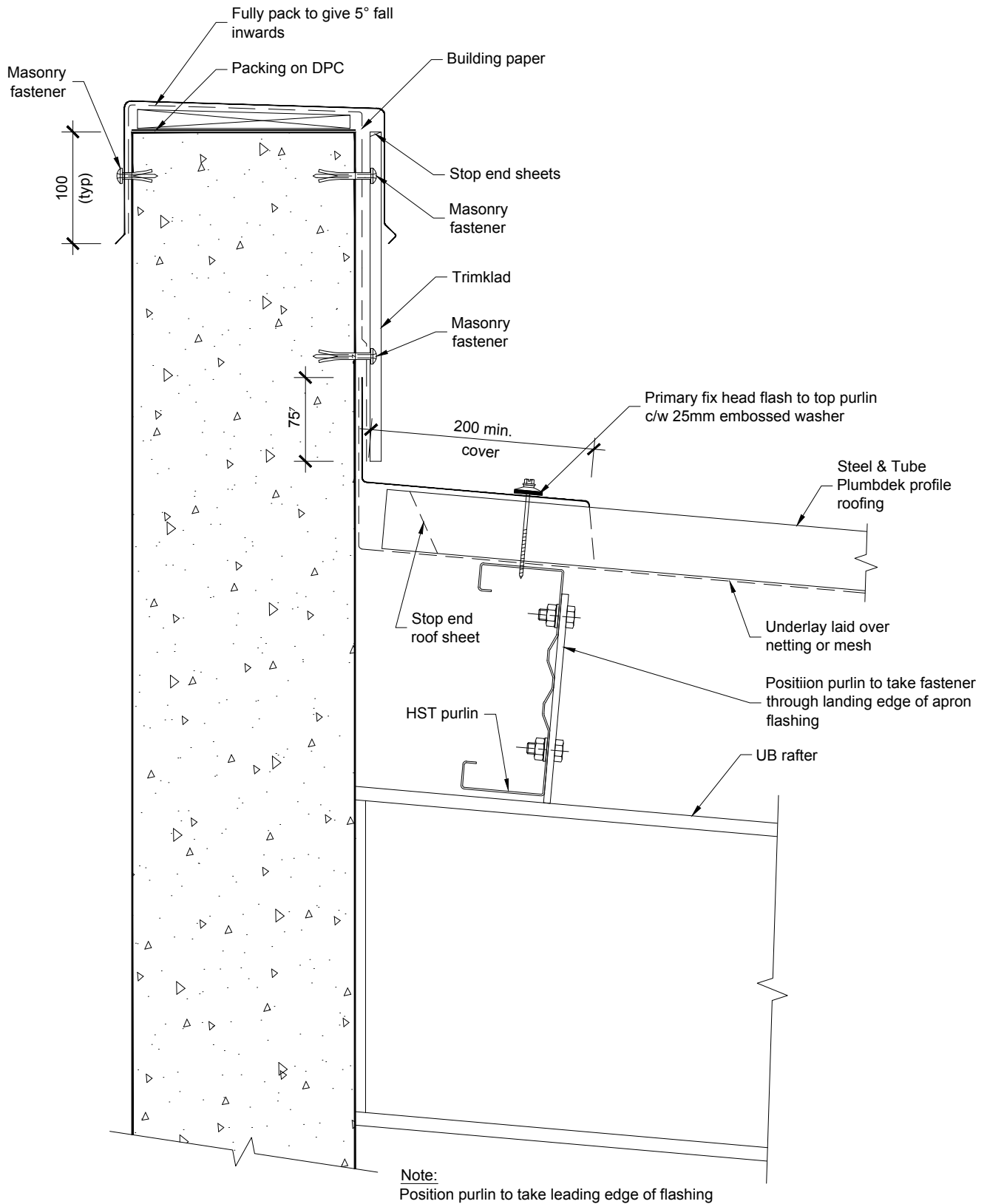
All dimensions in millimetres
Scale 1:5
16/01/12



comm_plumbdek-para_chased_side

Chased Parapet Side Flashing
Cross Section

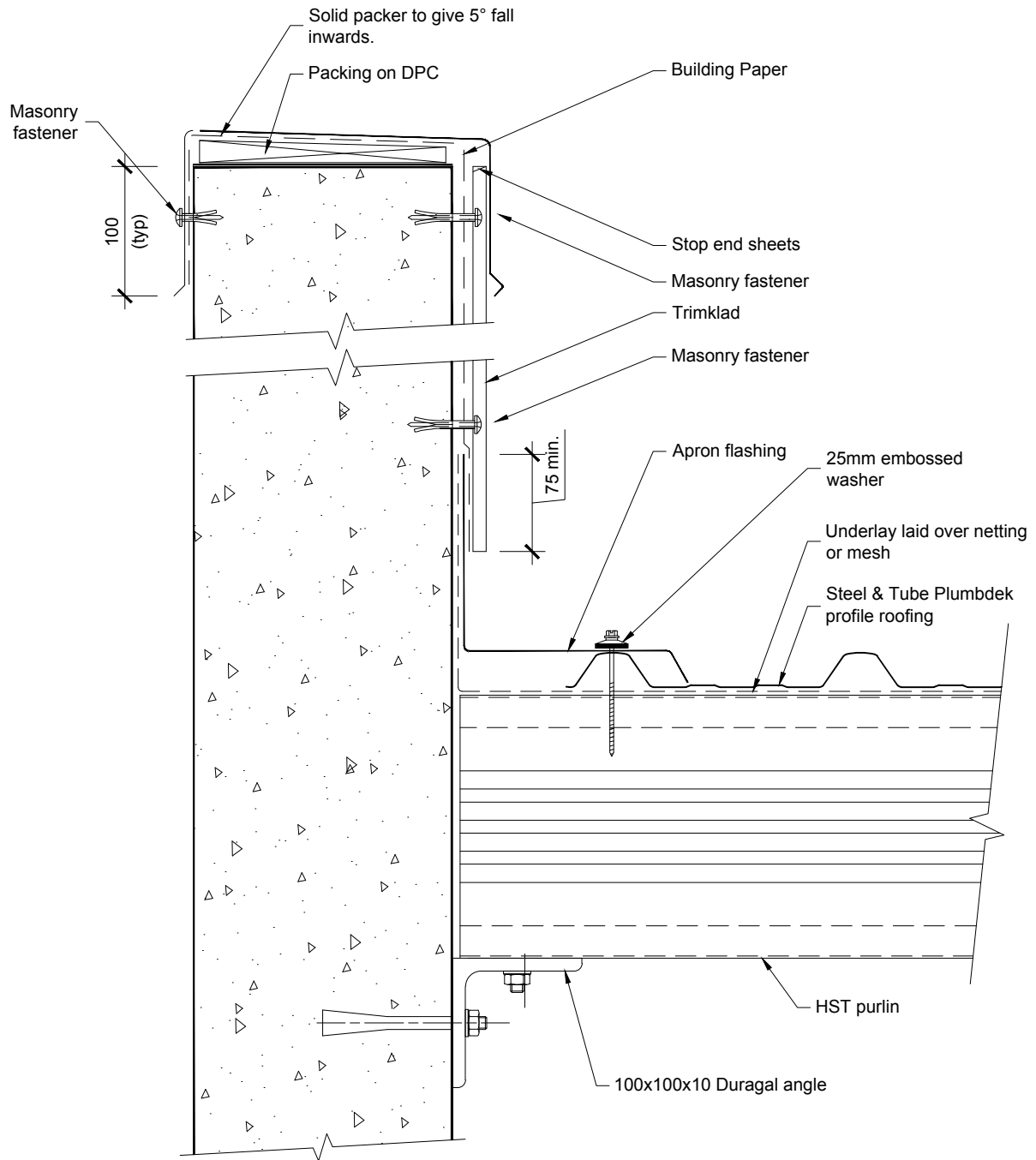
All dimensions in millimetres
Scale 1:5
16/01/12



comm_plumbdek-para_lined_head_flash

Lined Parapet Head Flashing
Cross Section

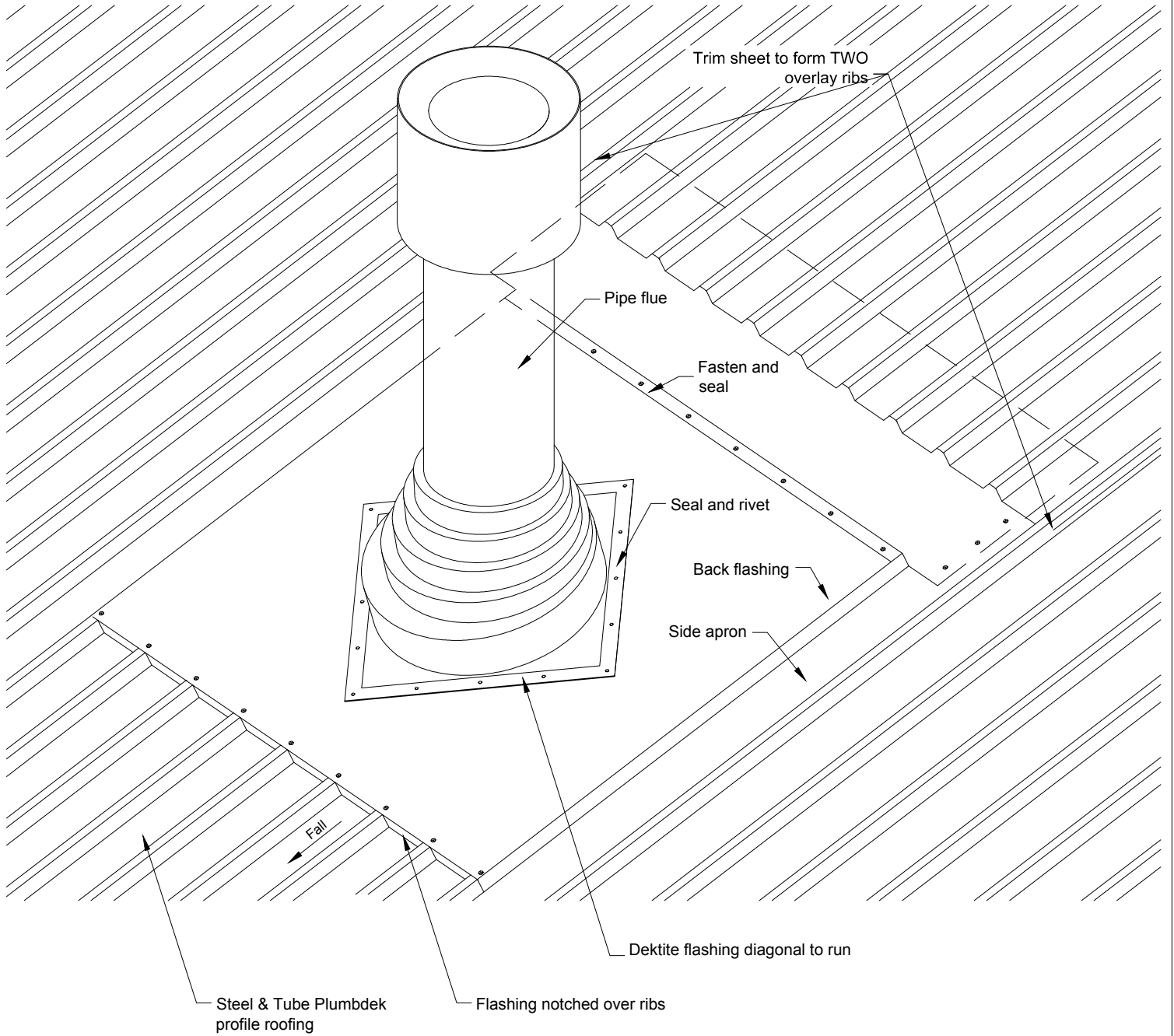
All dimensions in millimetres
Scale 1:5
16/01/12



comm_plumbdek-para_lined_side_flash

Lined Parapet Side Flashing
Cross Section

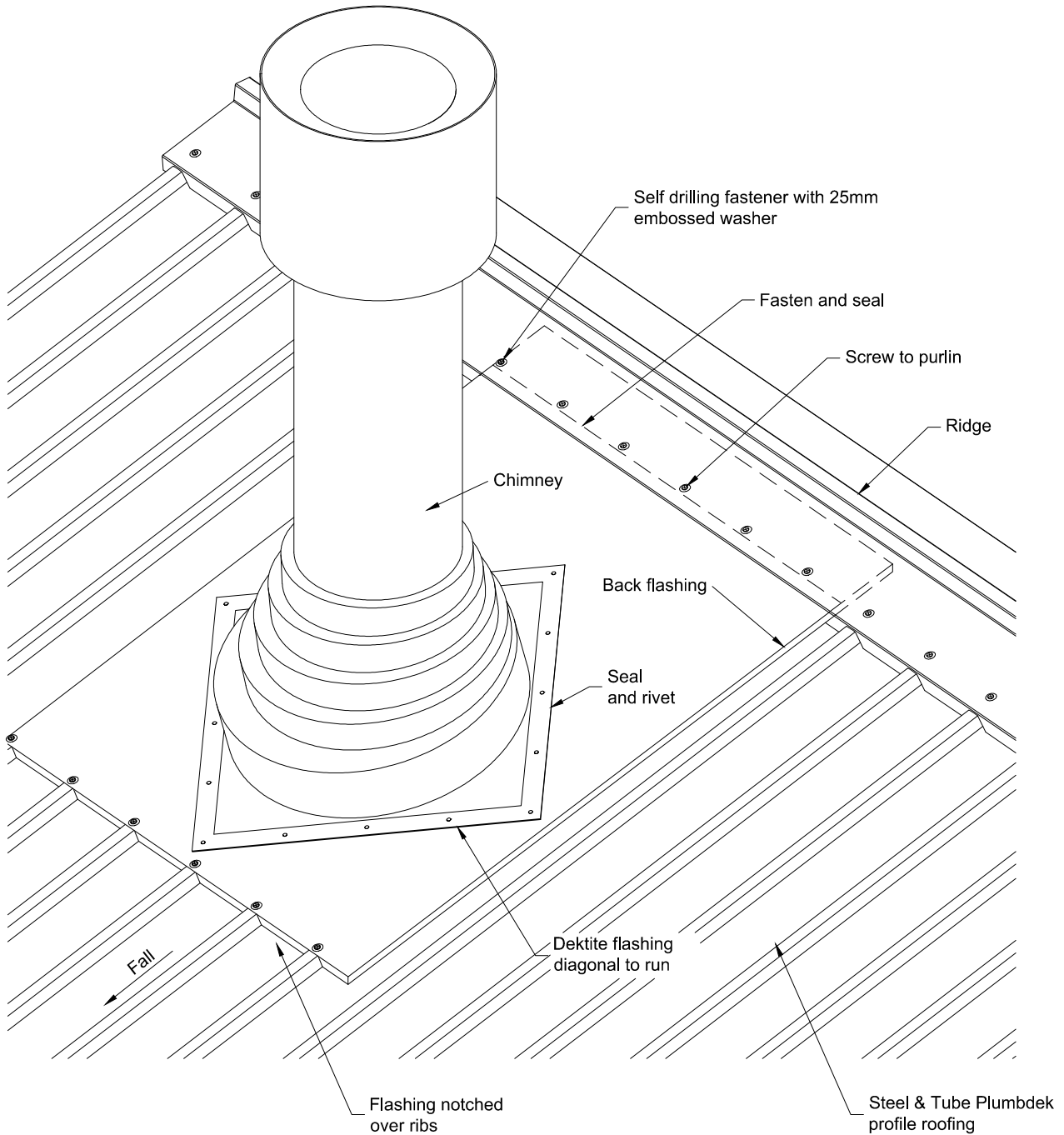
All dimensions in millimetres
Scale 1:5
16/01/12



comm_plumbdek-pene_round_mid

Penetration Flashing - Round Flue

All dimensions in millimetres
Scale 1:12
16/01/12



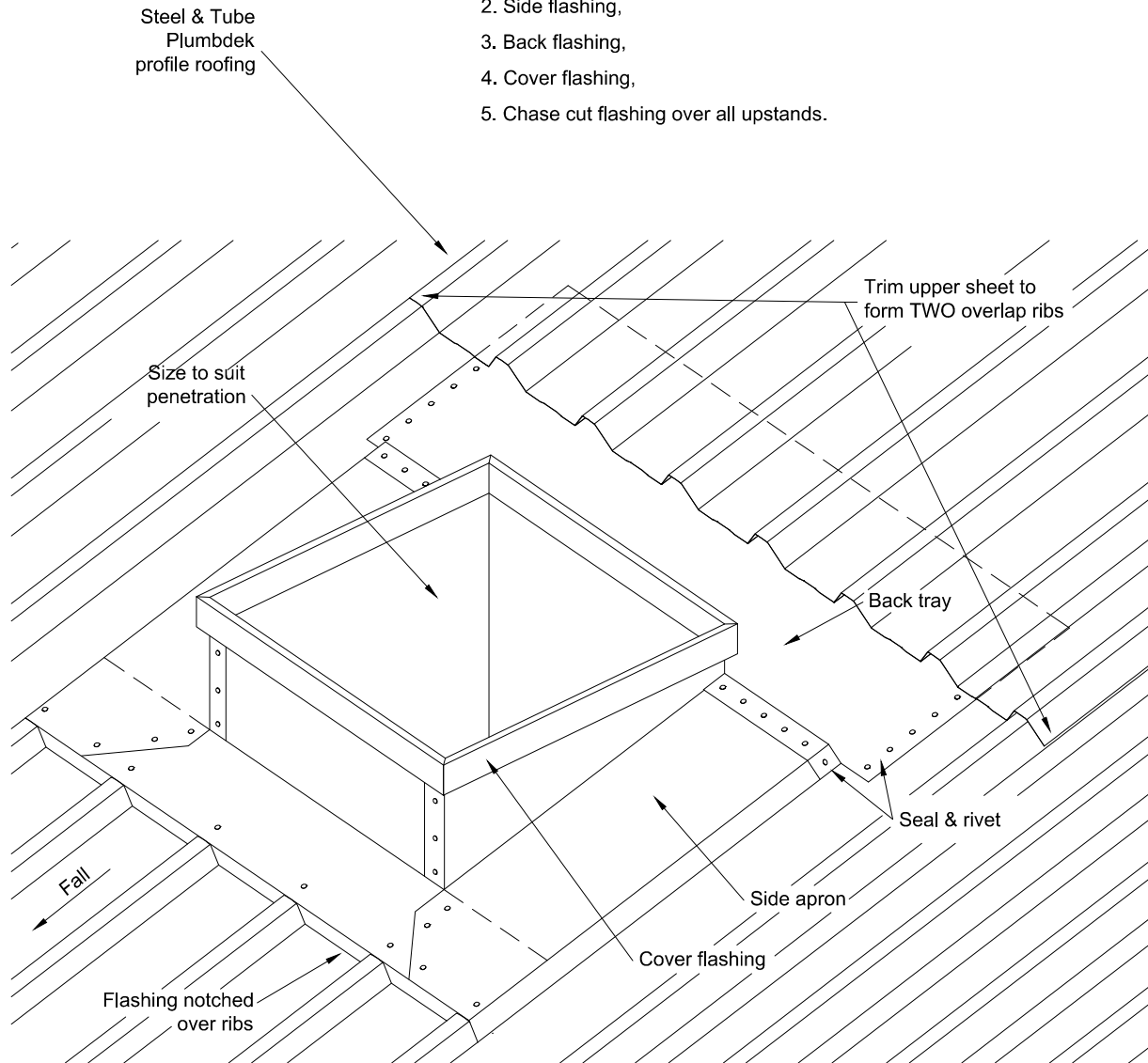
comm_plumbdek-pene_round_ridge

Penetration Flashing - Round Flue

All dimensions in millimetres
Scale 1:10
16/01/12

Laying Sequence:

1. Notched apron,
2. Side flashing,
3. Back flashing,
4. Cover flashing,
5. Chase cut flashing over all upstands.



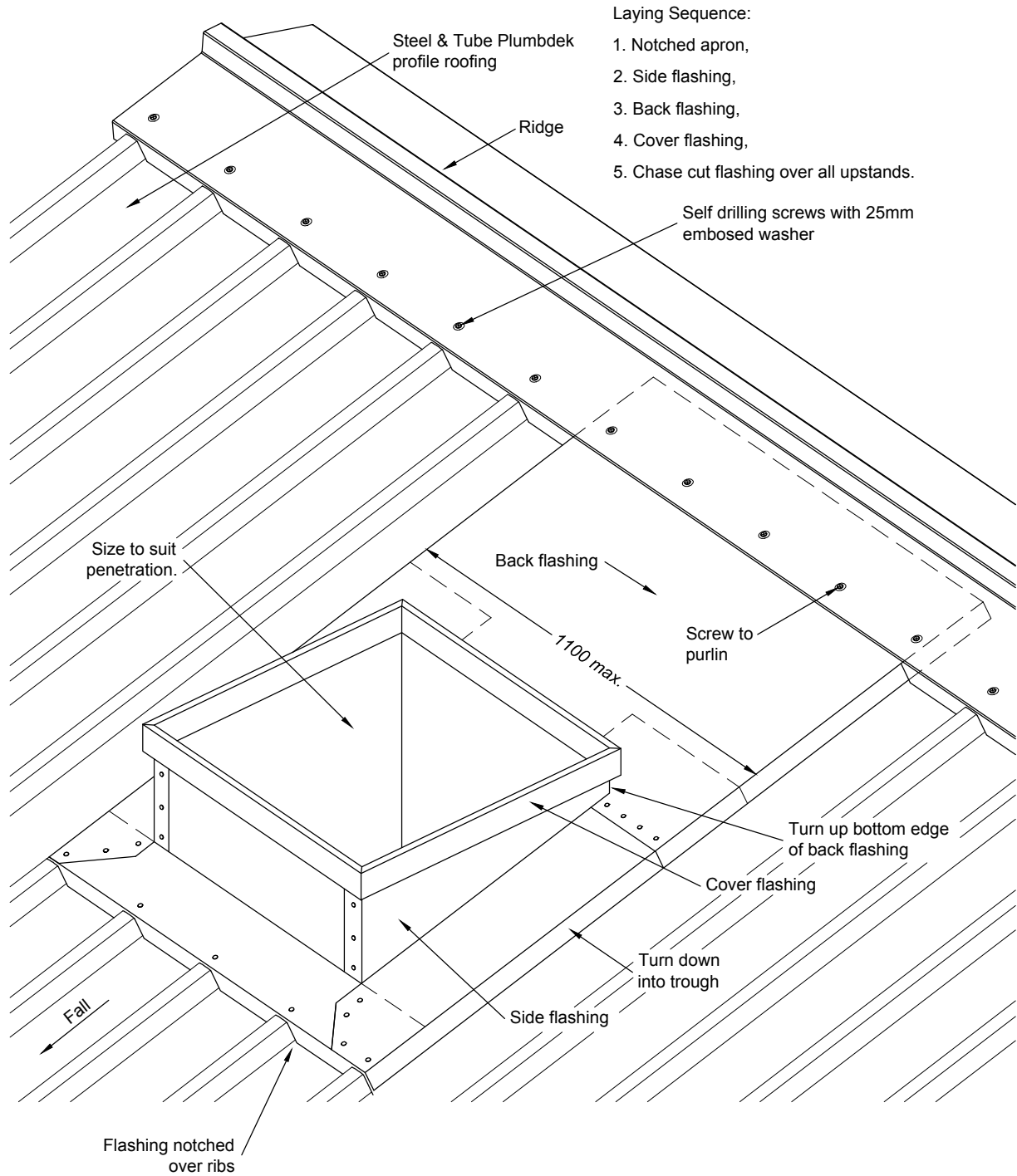
Note:

Use back flashing to ridge where possible.

comm_plumbdek-pene_square_mid

Penetration Flashing

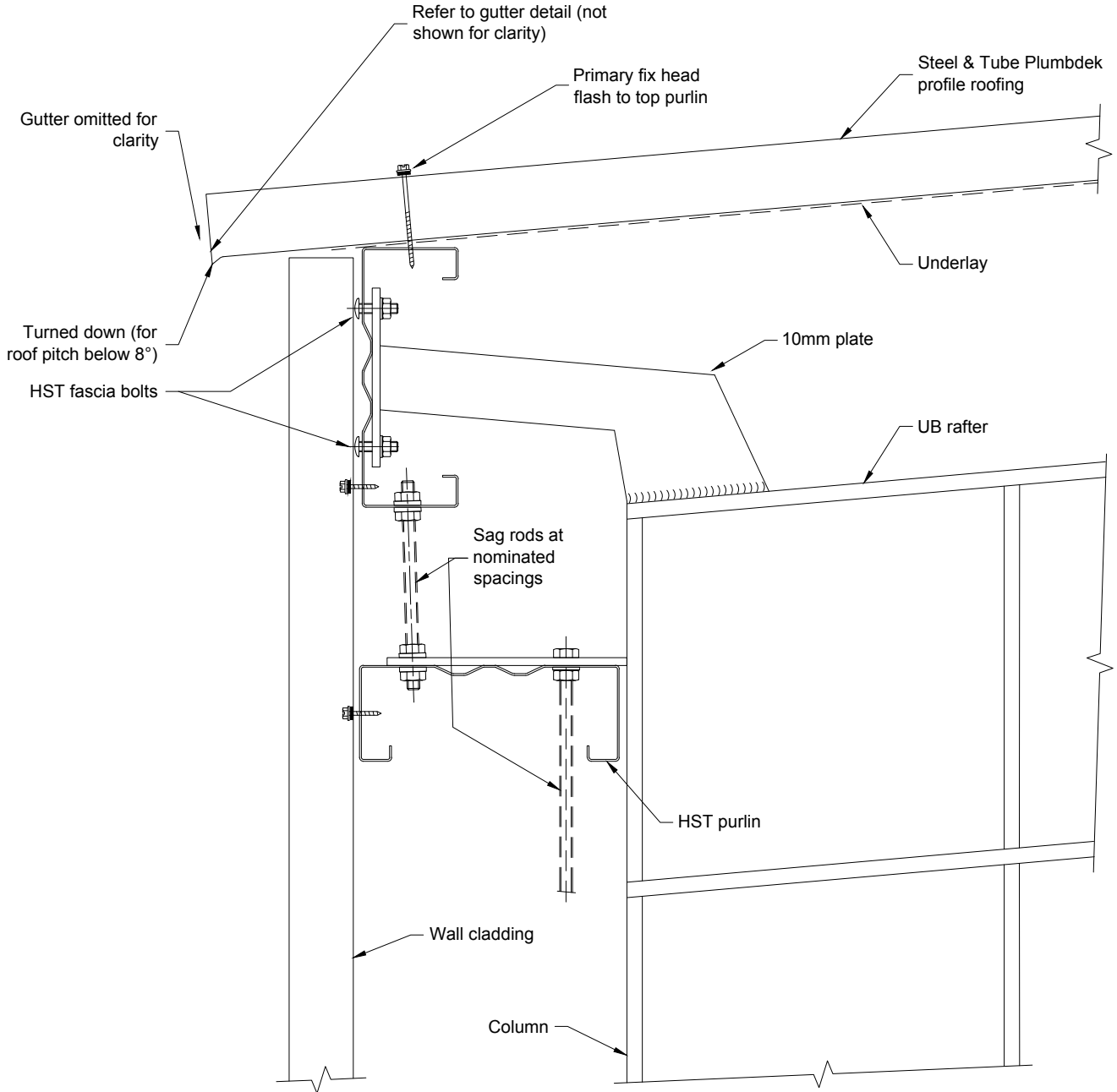
All dimensions in millimetres
Scale 1:10
16/01/12



comm_plumbdek-pene_square_ridge

Penetration Flashing - Back Flashed

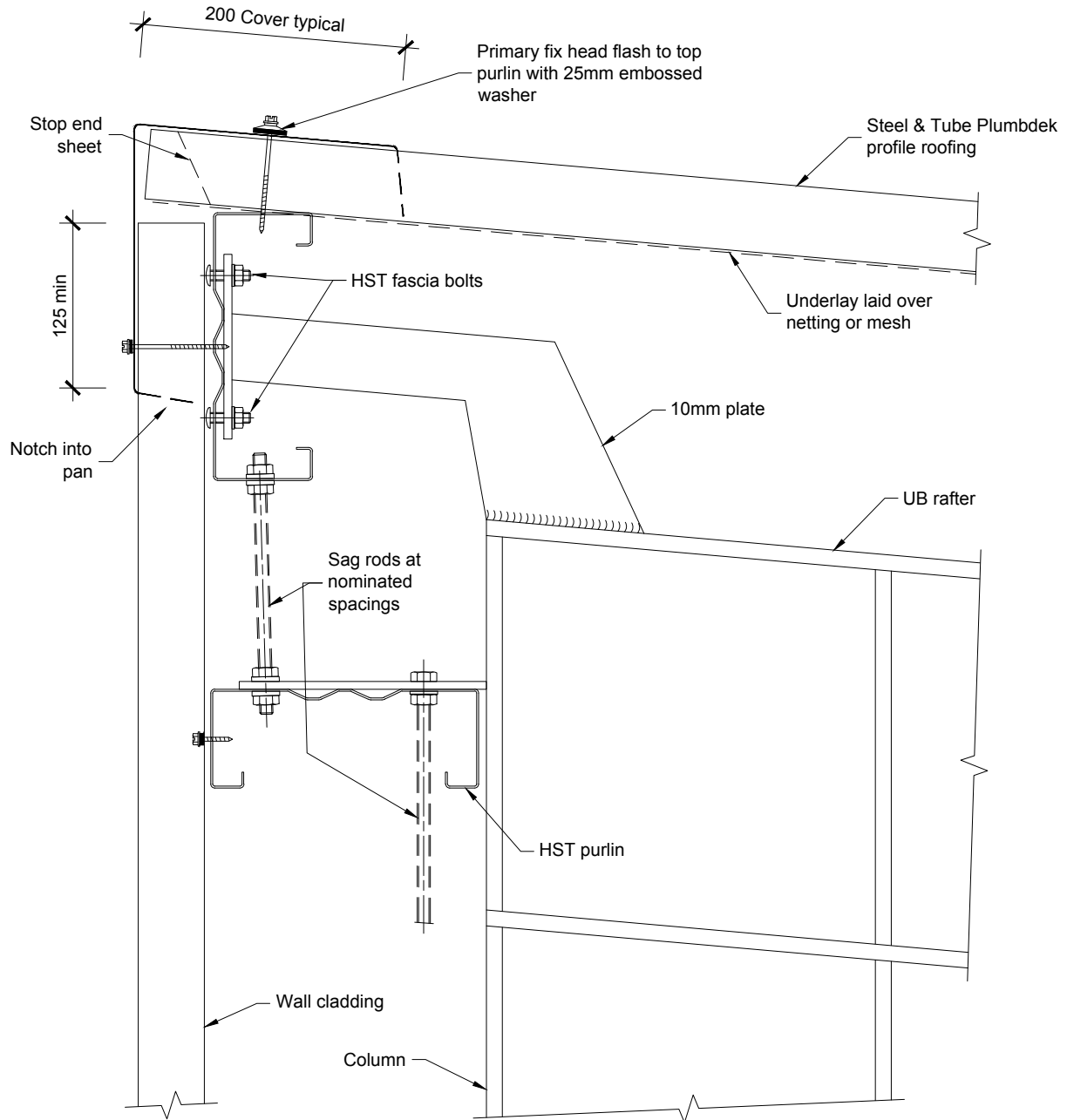
All dimensions in millimetres
Scale 1:10
16/01/12



comm_plumbdek-port_eaves

Eaves Detail Girt Outside Portal Leg, Offset Cleat
Cross Section

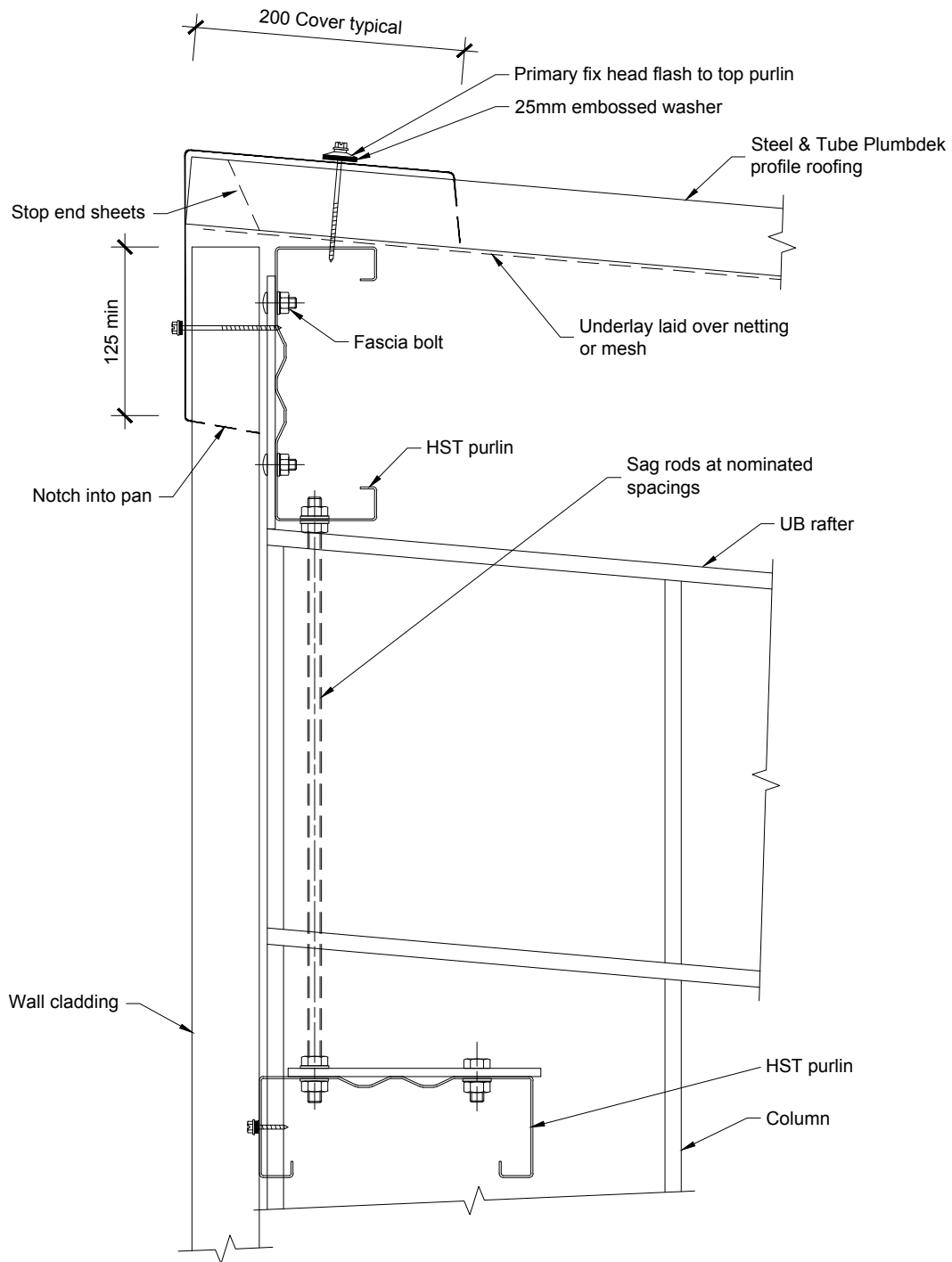
All dimensions in millimetres
Scale 1:5
16/01/12



comm_plumbdek-port_head_flash_cleat

Head Flash Girt Outside Portal Leg, Offset Cleat
Cross Section

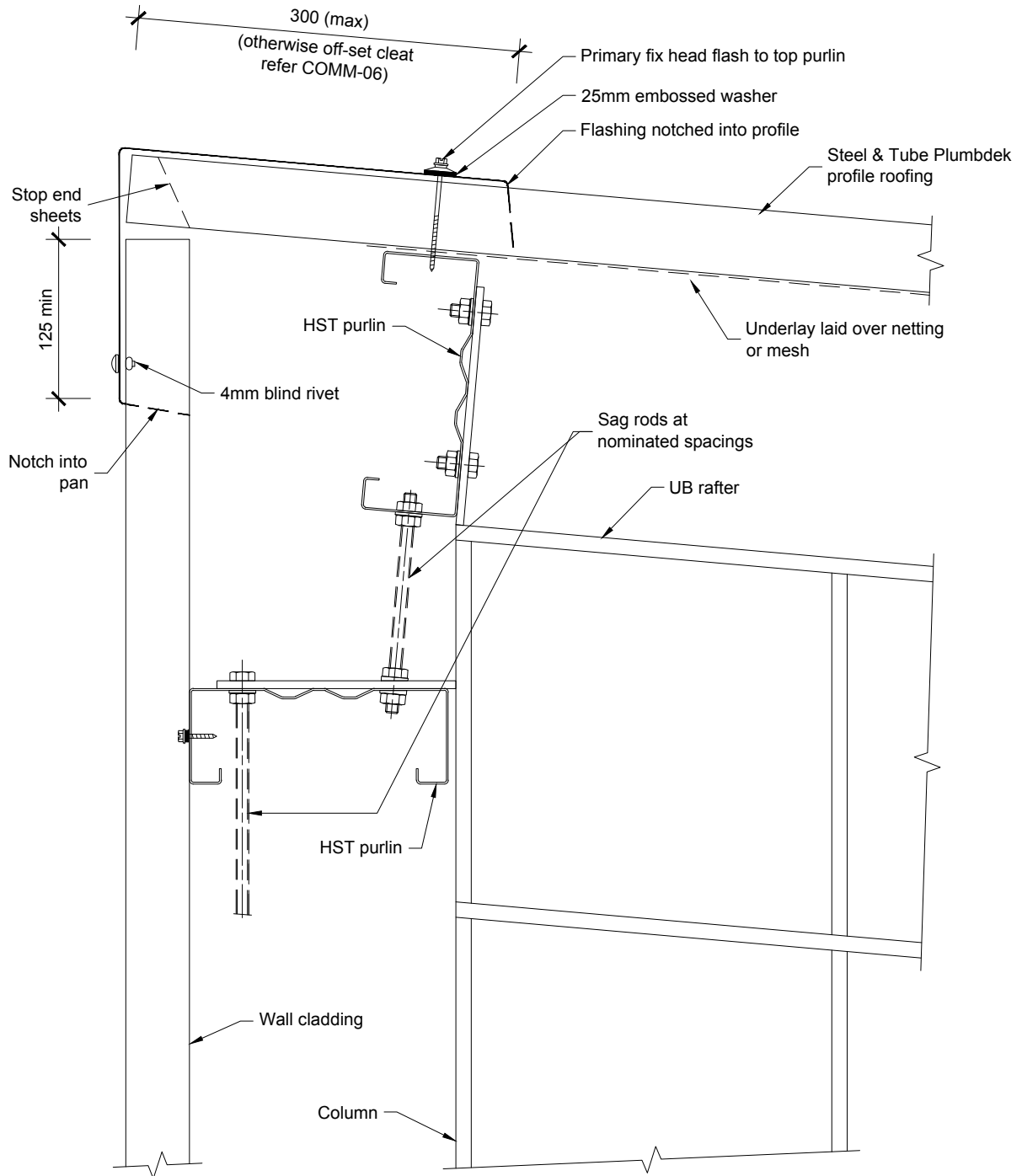
All dimensions in millimetres
Scale 1:5
16/01/12



comm_plumbdek-port_head_flash_girt

Head Flash Girts In Between Columns
Cross Section

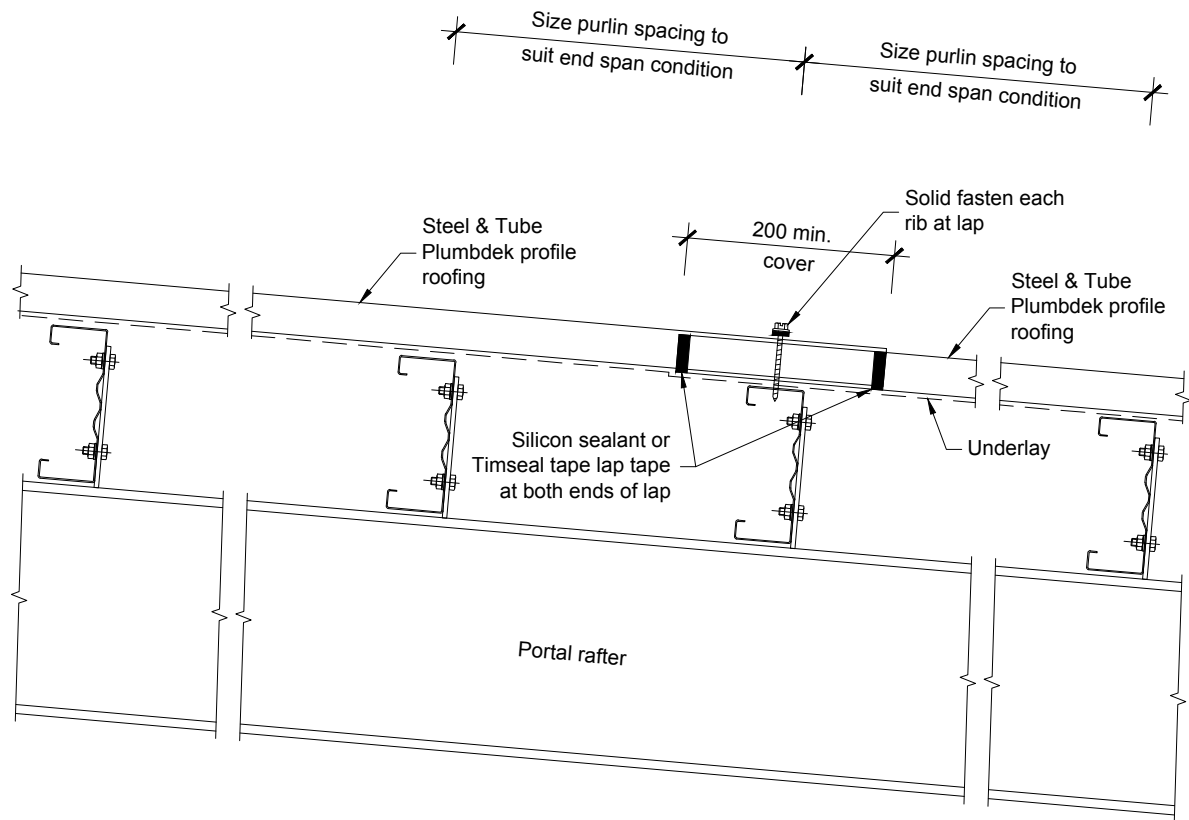
All dimensions in millimetres
Scale 1:5
16/01/12



comm_plumbdek-port_head_flash

Head Flash Girt Outside Portal Leg
Cross Section

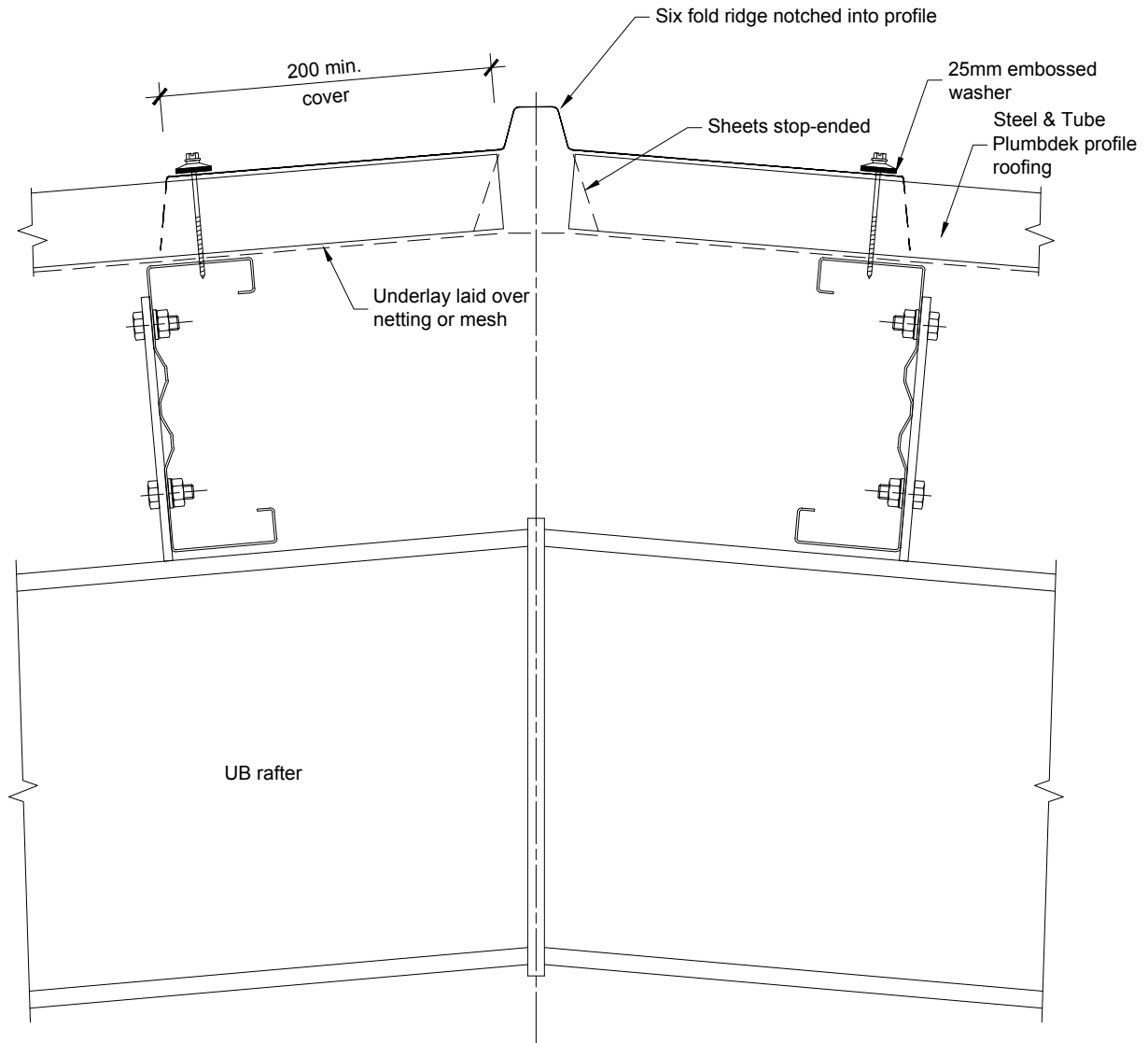
All dimensions in millimetres
Scale 1:5
16/01/12



comm_plumbdek-port_raft_end_lap

End Lap Detail
Cross Section

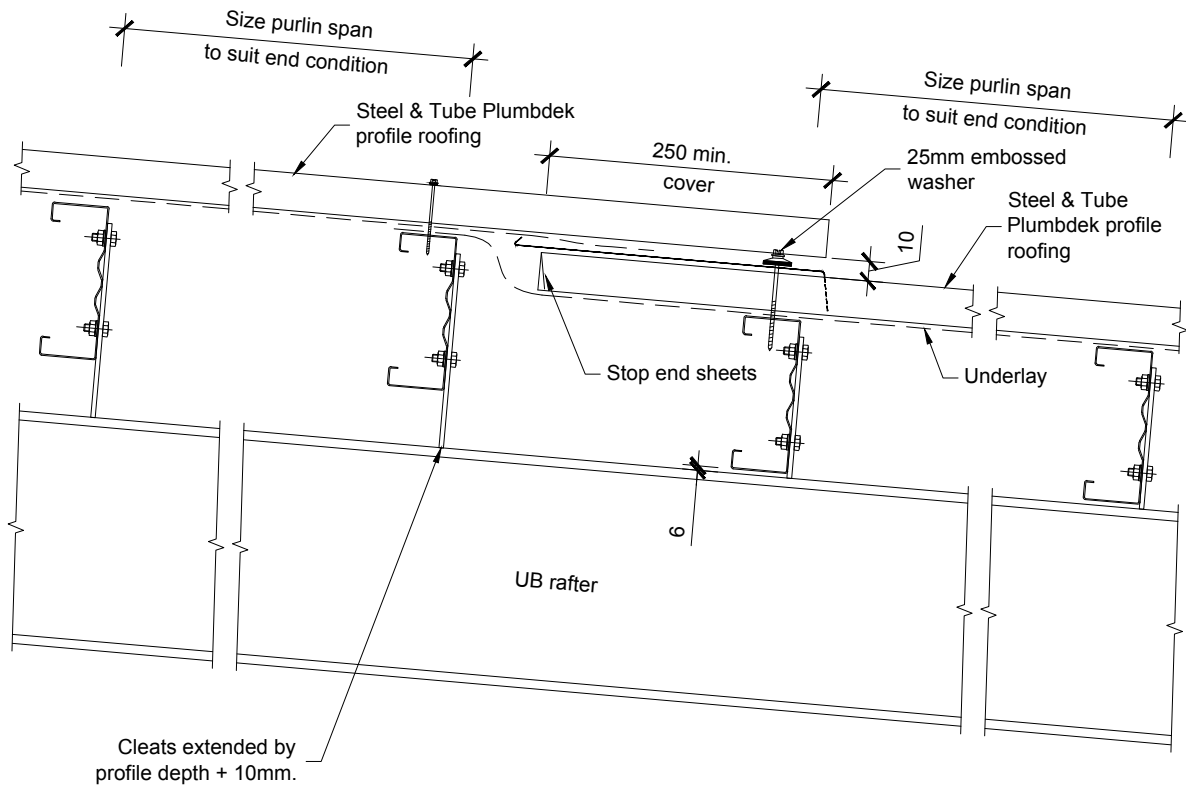
All dimensions in millimetres
Scale 1:10
16/01/12



comm_plumbdek-port_ridge

Ridge Apex
Cross Section

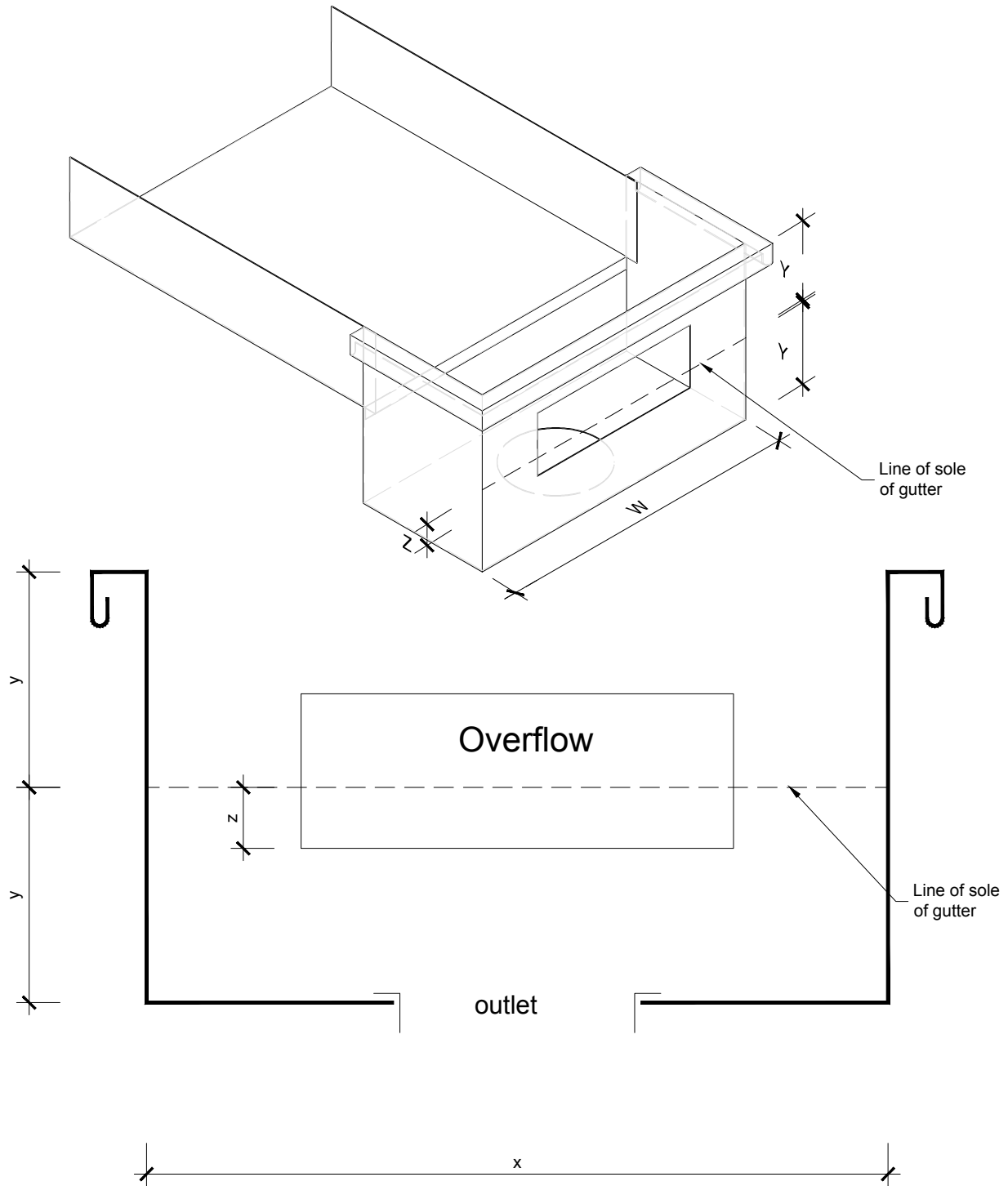
All dimensions in millimetres
Scale 1:5
16/01/12



comm_plumbdek-purl_step_flash

Step Flashing Extended Purlin Cleats
Cross Section

All dimensions in millimetres
Scale 1:10
16/01/12

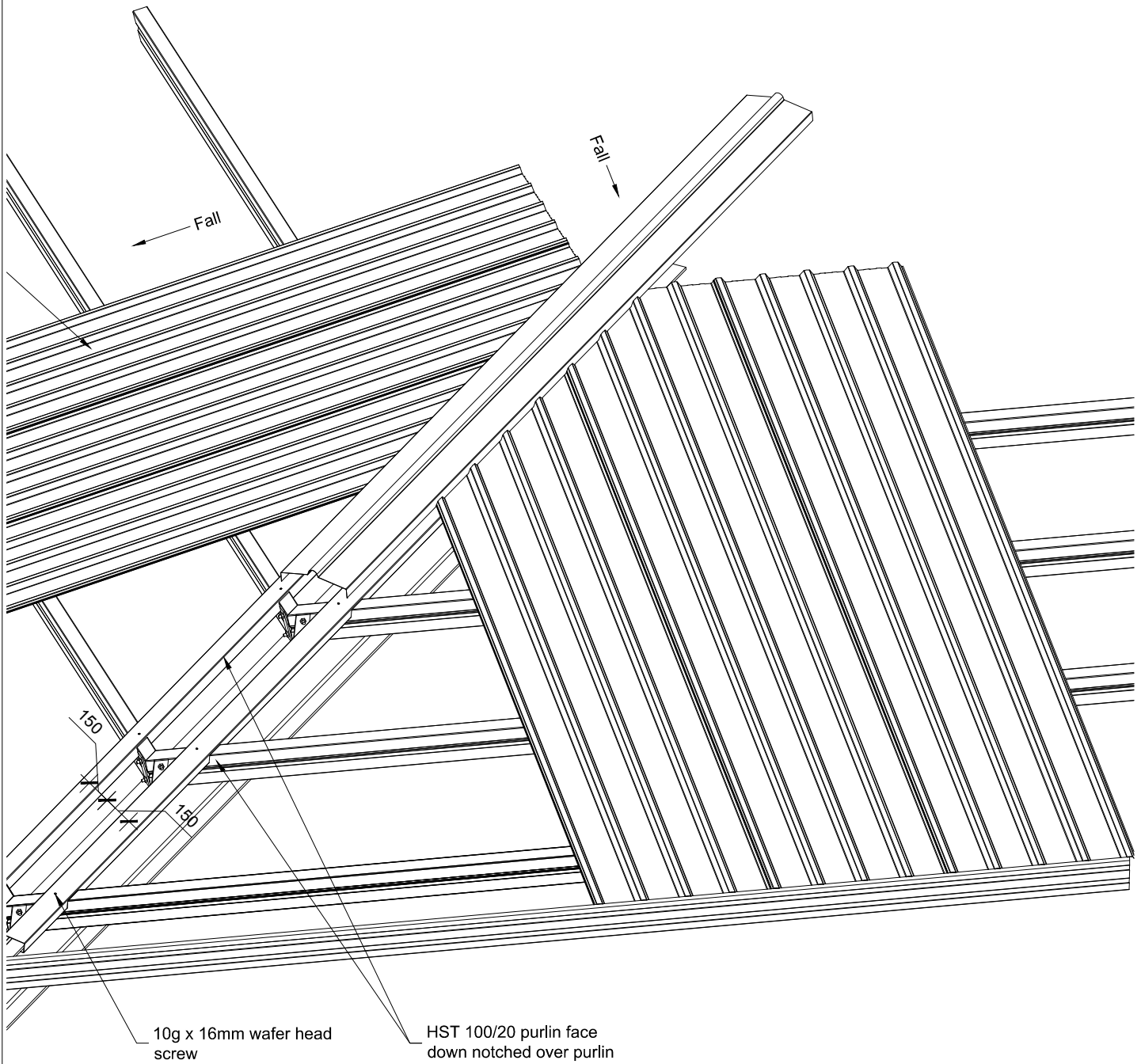


Dimension y equal to Depth of gutter at outflow
 Dimension x equal to width of gutter plus 3mm
 Dimension z greater than or equal to 25mm
 Cross-section area of overflow greater than or equal to Cross-section area of outlet

comm_plumbdek-rain_head

Rainwater Head Dimensions

All dimensions in millimetres
 Scale 1:2
 16/01/12



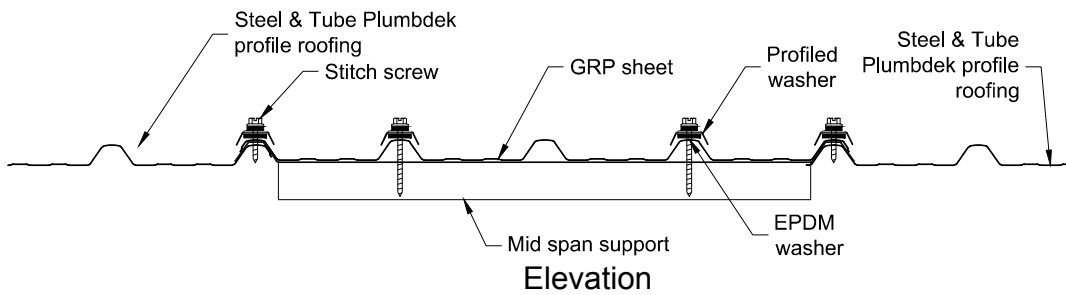
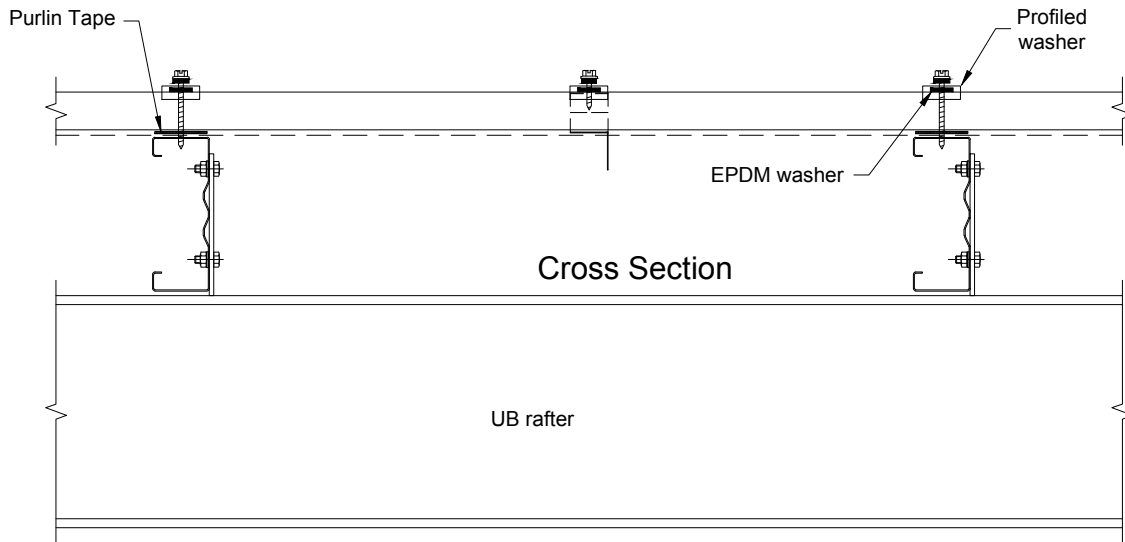
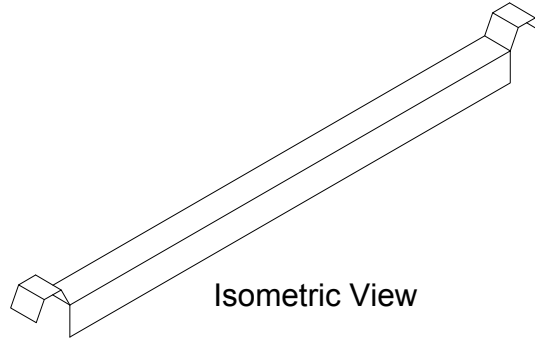
NOTES:

1. Netting and underlay omitted for clarity
2. Stopend top edge of sheet

comm_plumbdek-roof_hip_raft_purl

Hip Rafter Purlin
Isometric View

All dimensions in millimetres
Scale 1:25
16/01/12



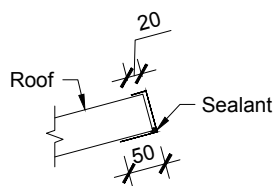
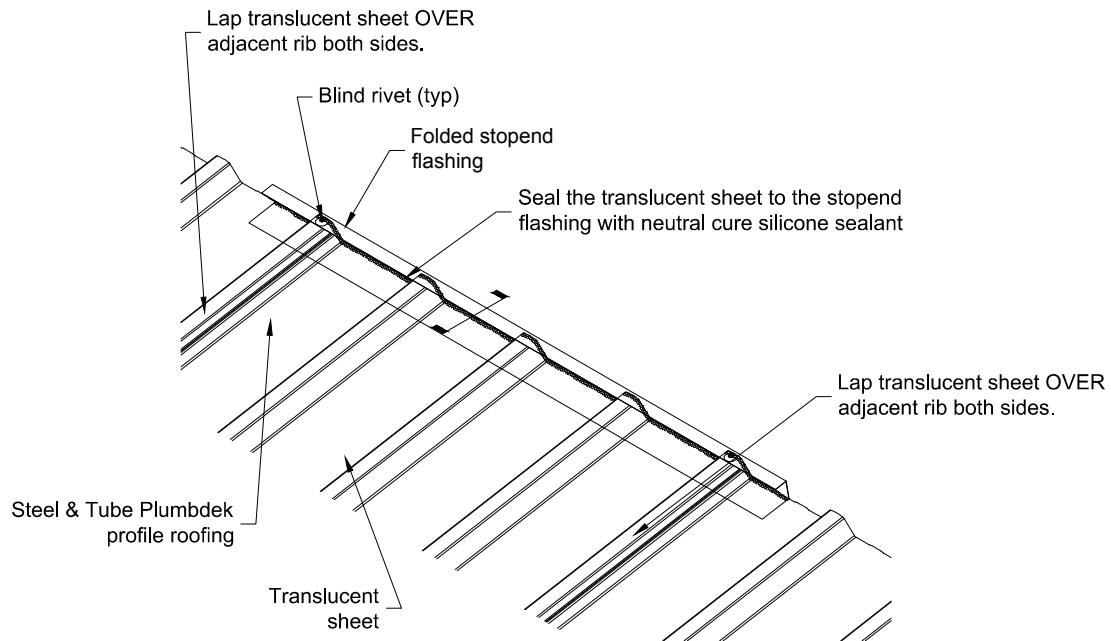
| Profile | Sheet Weight gr/m ² | Maximum Span |
|------------|--------------------------------|--------------|
| Low Rib | 1800 | 1200 |
| Medium Rib | 2200 | 1700 |
| High Rib | 2200 | 2100 |

Use mid span support when spans exceed maximum span, or specify heavier weight GRP sheet.

comm_plumbdek-tran_sht_midspan

Translucent Sheet Mid Span Support

All dimensions in millimetres
Scale 1:10
16/01/12



CROSS SECTION

comm_plumbdek-tran_sht_stopend

Translucent Sheet Stop-end
Isometric View

All dimensions in millimetres
Scale 1:10
16/01/12