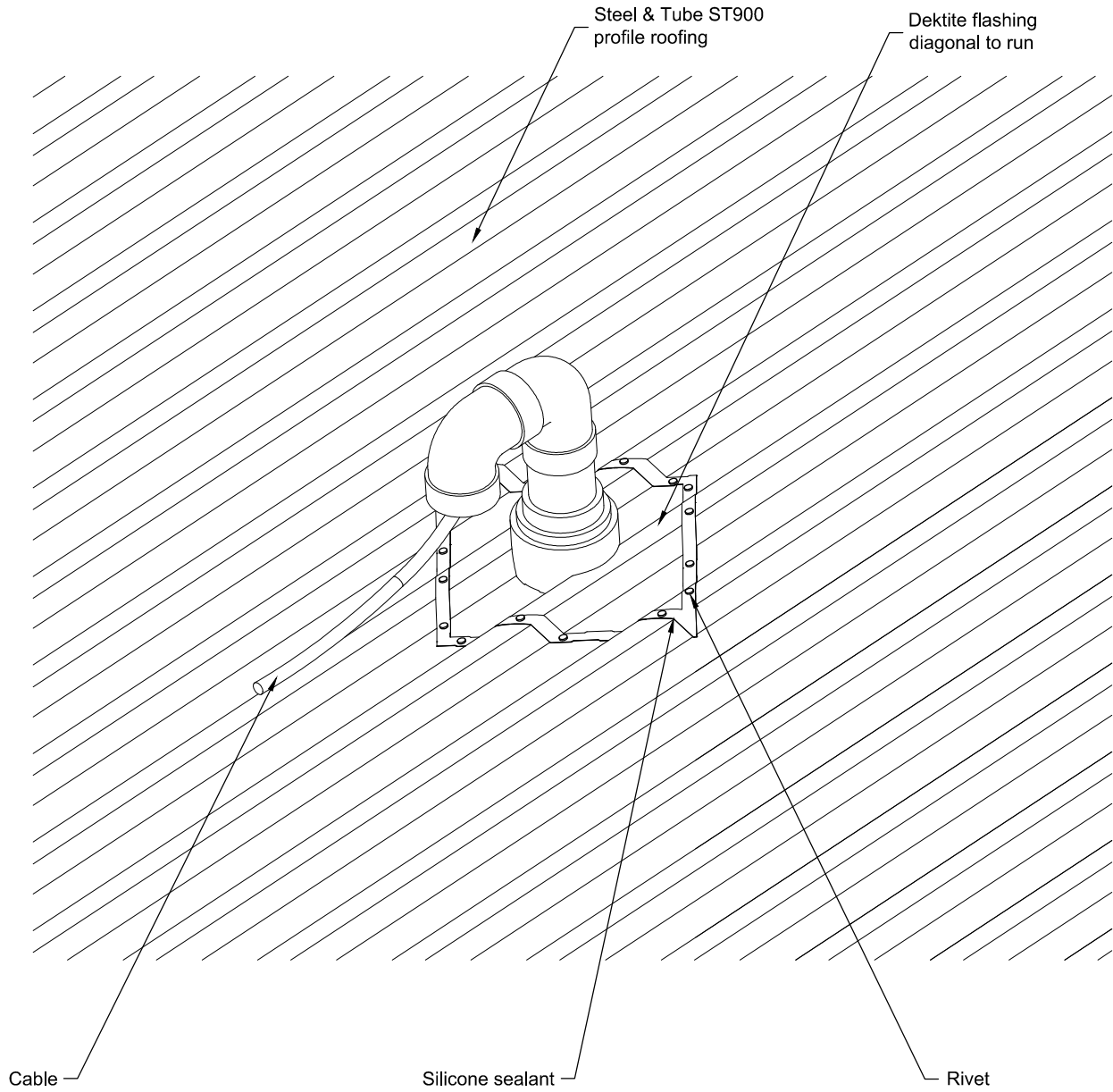


comm\_st900-barg\_flash

**Barge Flashing**  
Cross Section

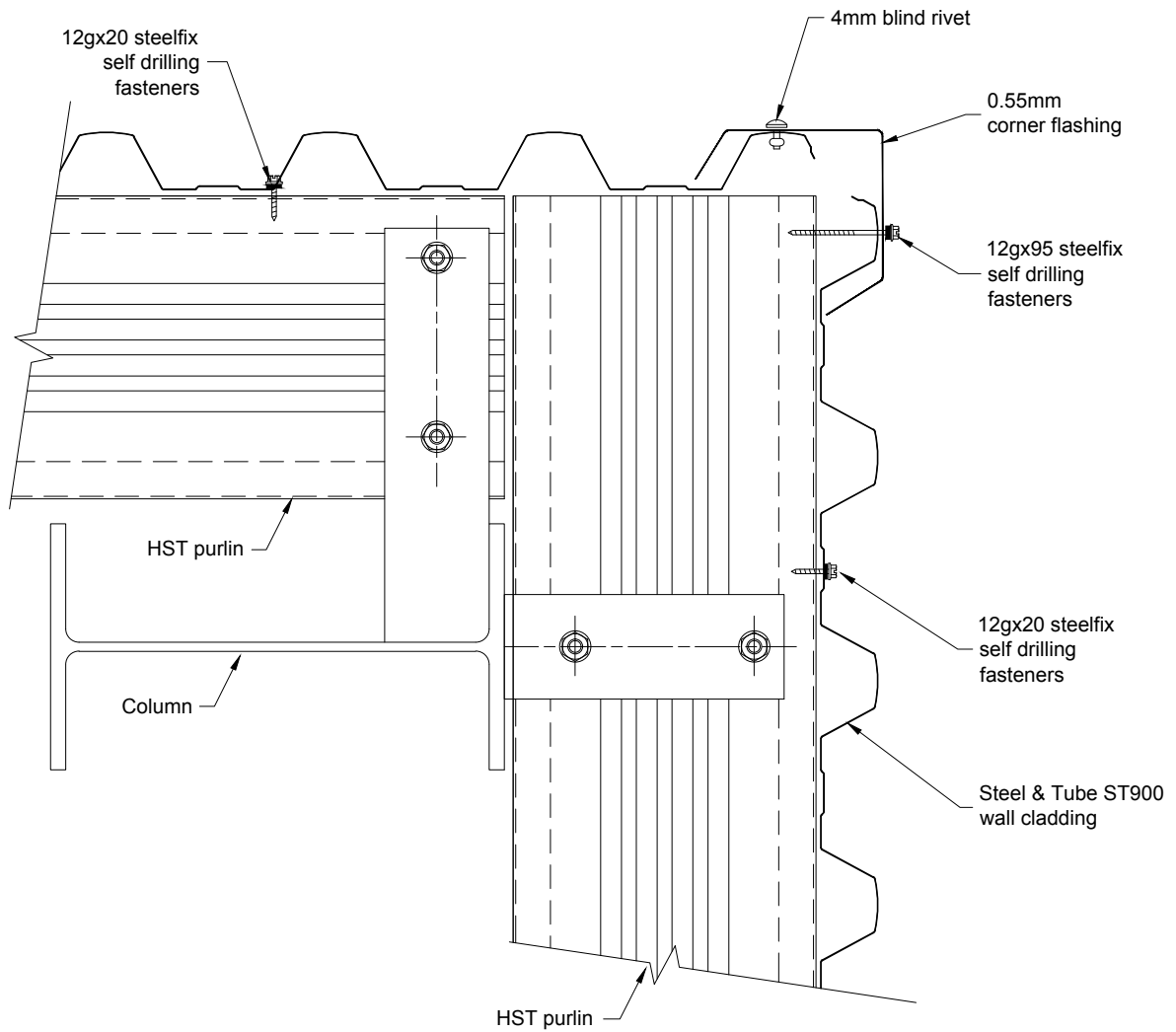
All dimensions in millimetres  
Scale 1:5  
16/01/12



comm\_st900-cabl\_entry

### Cable Entry

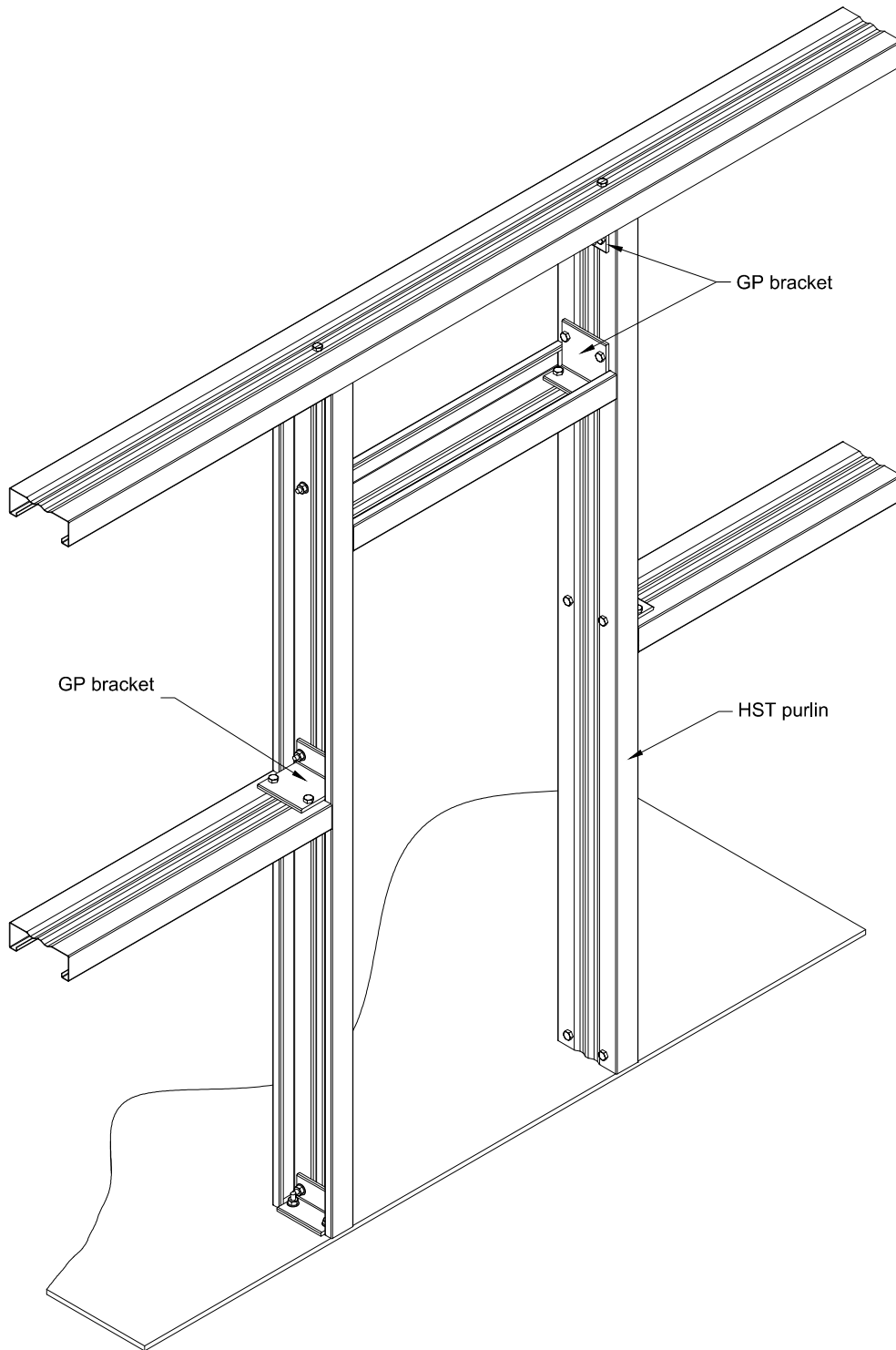
All dimensions in millimetres  
Scale 1:10  
16/01/12



comm\_st900-corn\_external

**Wall Cladding-corner Flashing**  
Plan View

All dimensions in millimetres  
Scale 1:5  
16/01/12



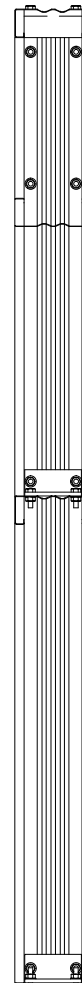
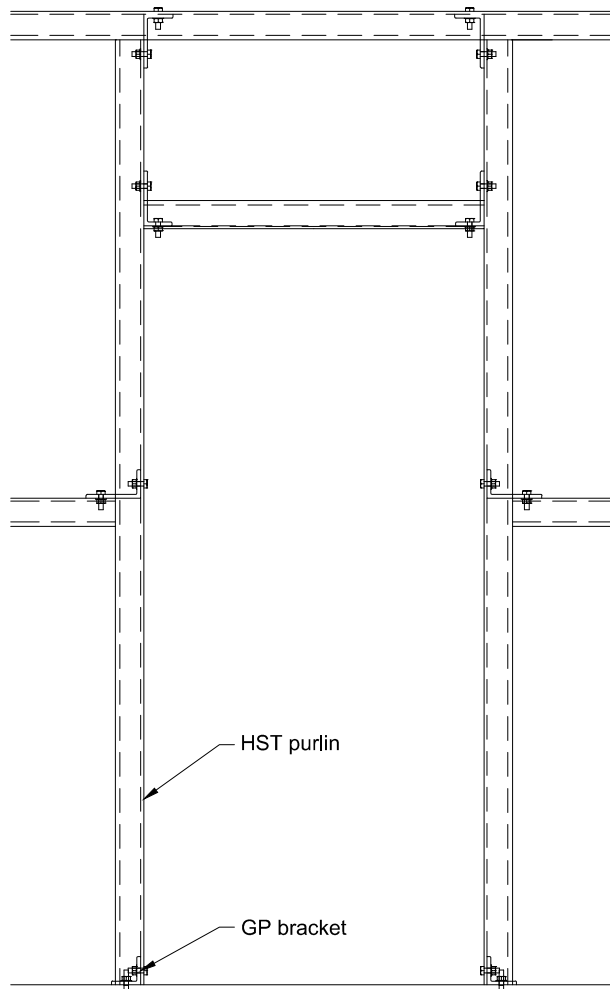
comm\_st900-door\_open\_iso

**Wall Cladding - Door Opening**  
Isometric View

All dimensions in millimetres  
Scale 1:5  
16/01/12

ELEVATION

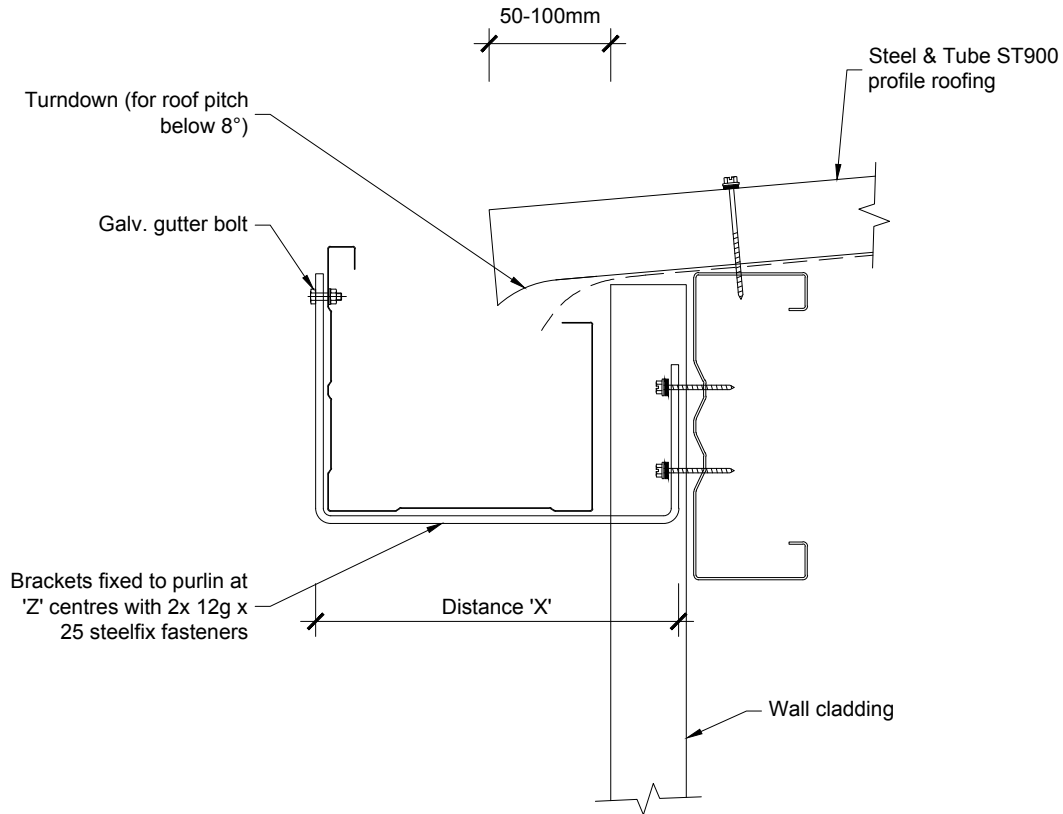
SIDE VIEW



comm\_st900-door\_open\_ortho

Wall Cladding - Door Opening

All dimensions in millimetres  
Scale 1:5  
16/01/12

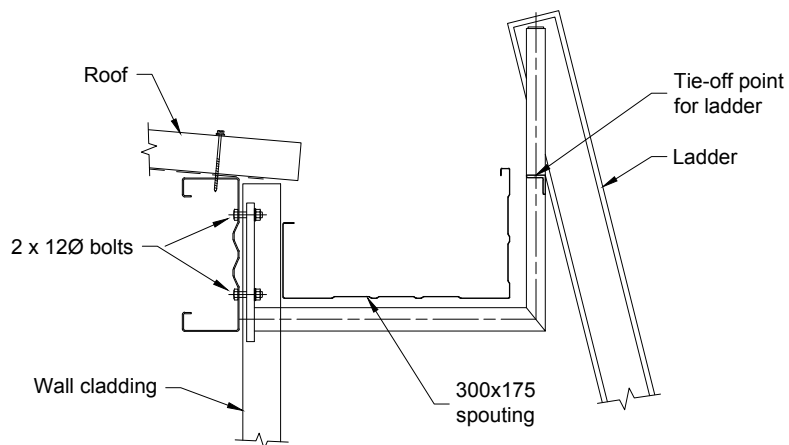
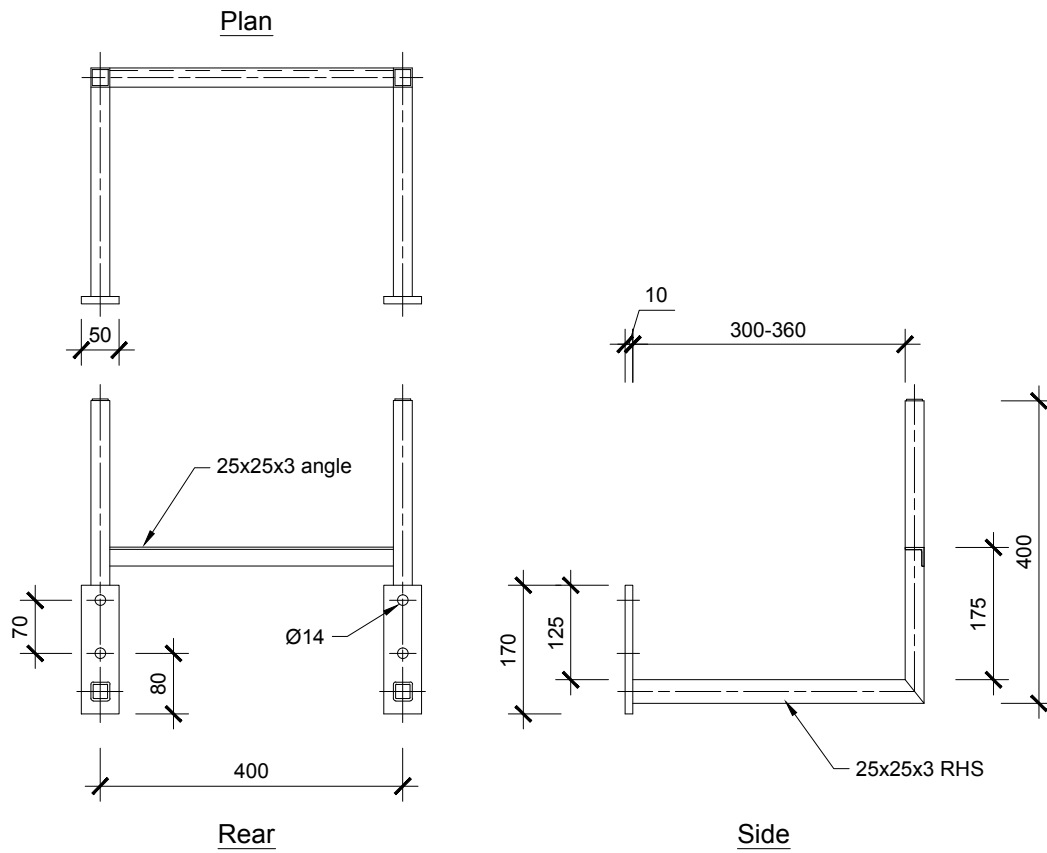


Roof Area Drained	Downpipe Size	Gutter Size	Cladding Depth	Dimension "X"	Bracket Size	"Z" Centres
150	Ø100 or 100x75	ST175	Flat	180	30x5	900
			Low (28mm)	210	30x5	
250	Ø150 or 125x100		Medium (38mm)	220	30x5	
			High (55mm)	235	30x5	
350	Ø150 or 150x100	ST300	Flat	305	40x5	600
			Low (28mm)	335	40x5	
400	Ø200 or 200x100		Medium (38mm)	345	40x5	
			High (55mm)	360	40x5	

comm\_st900-gutter

**Gutter Detail**  
Cross Section

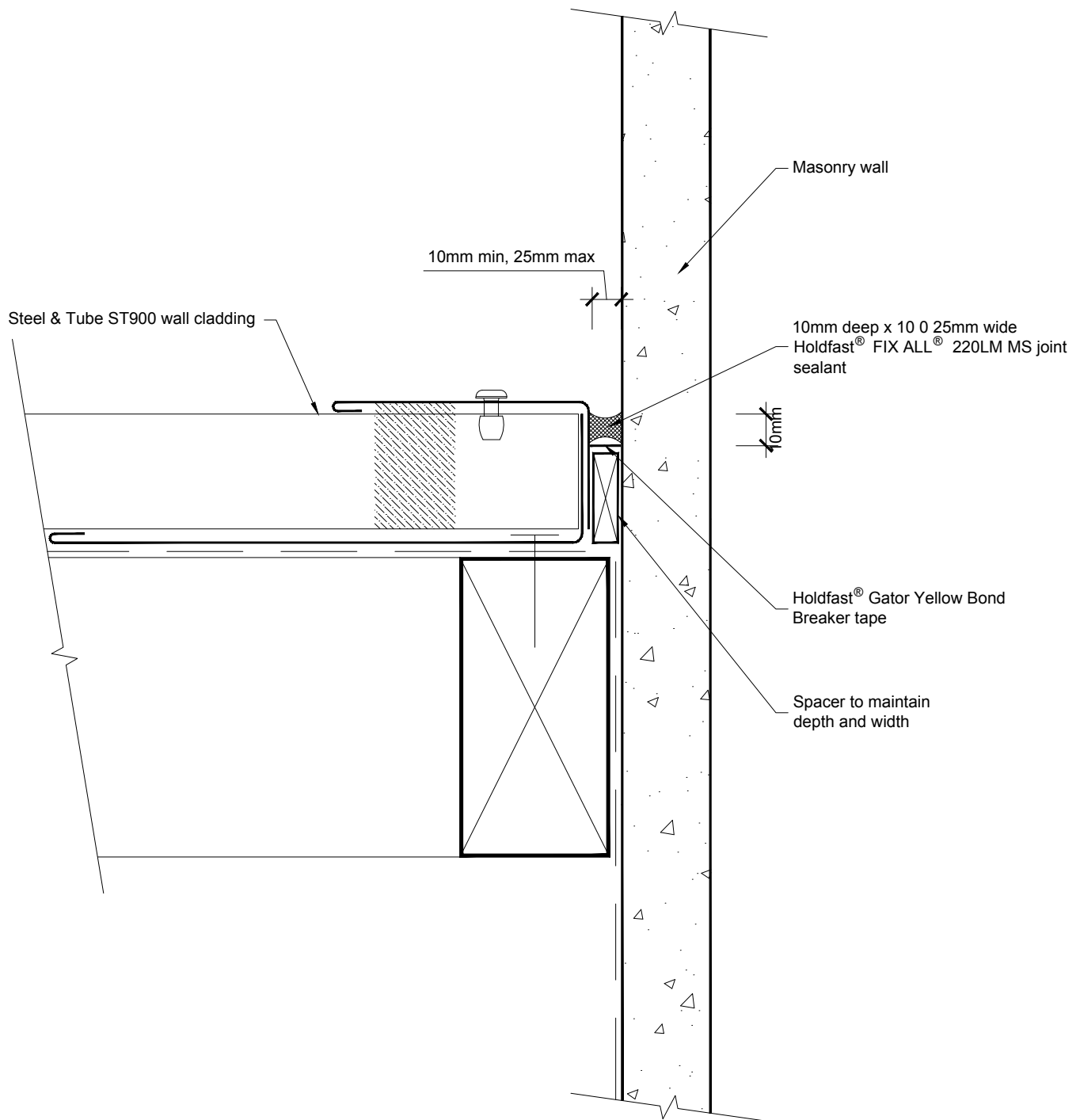
All dimensions in millimetres  
Scale 1:5  
16/01/12



comm\_st900-gutt\_ladder\_bracket

**Ladder Gutter Bracket (position At Point Of Access To Roof)**

All dimensions in millimetres  
Scale 1:10  
16/01/12

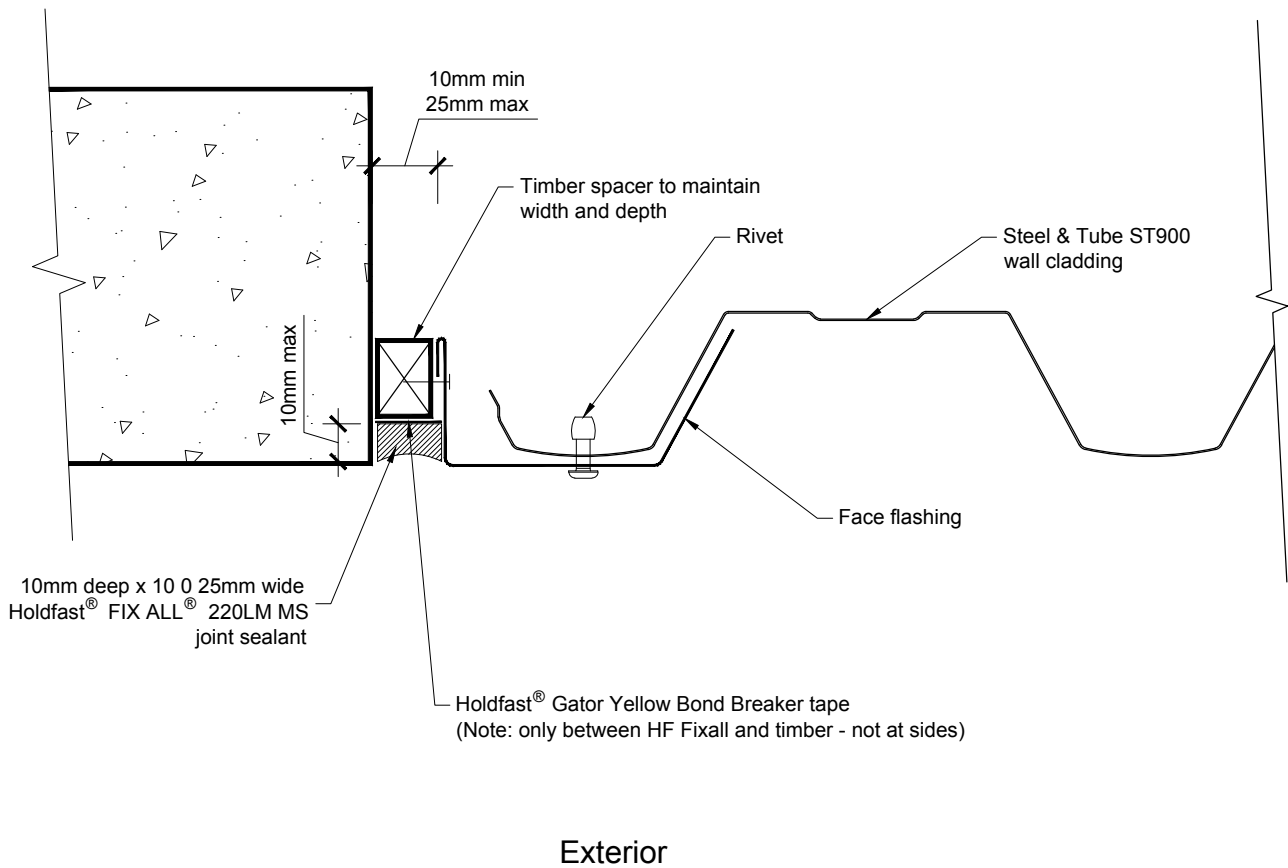


comm\_st900-jctn\_hori-clad\_wall

**Junction Between Horizontal Metal Cladding and Masonry Wall**

All dimensions in millimetres  
Scale 1:2  
16/01/12

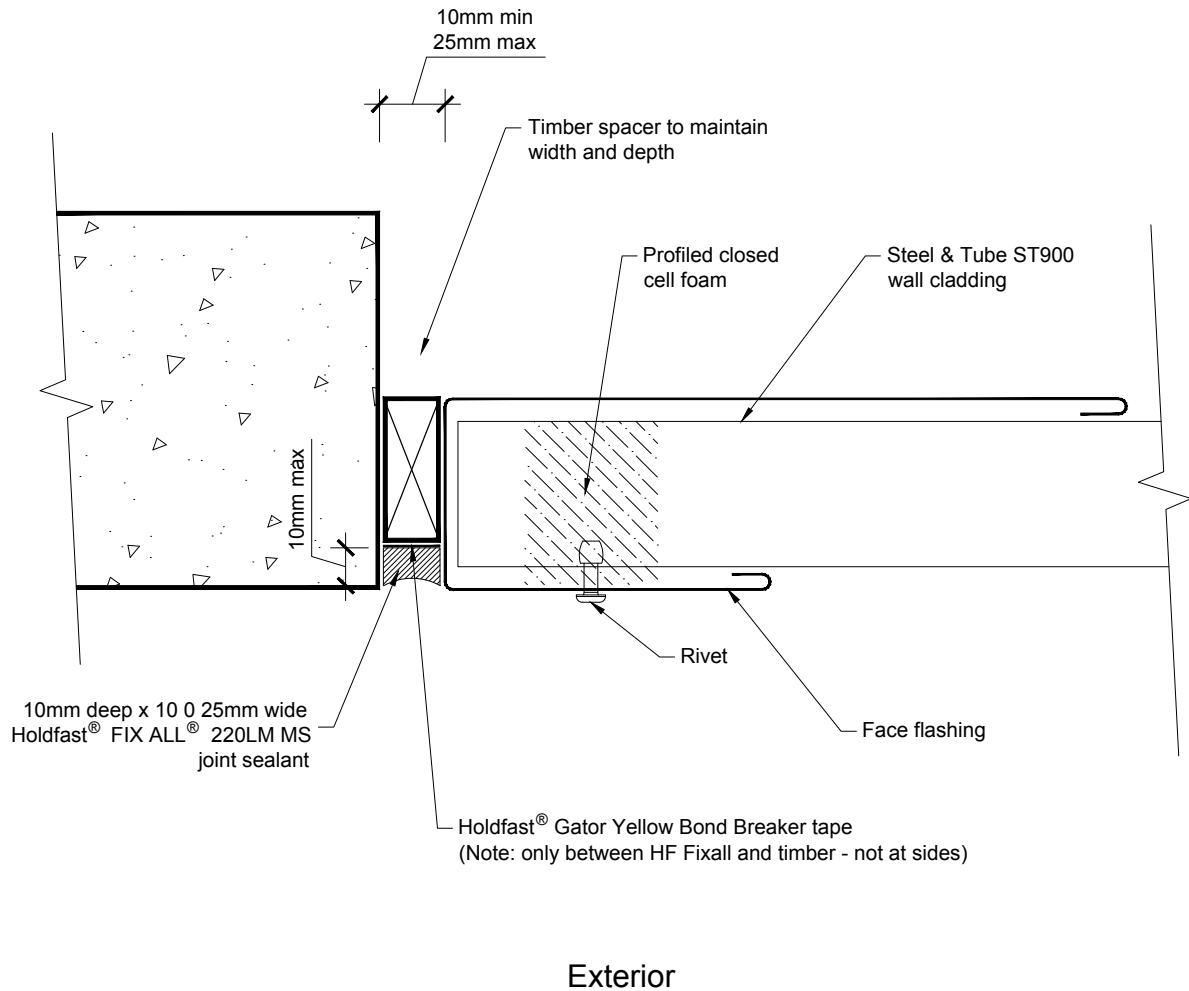




comm\_st900-jctn\_tilt\_wall\_2

**Tilt Panel / Wall Junction  
Vertical Cladding Cross Section**

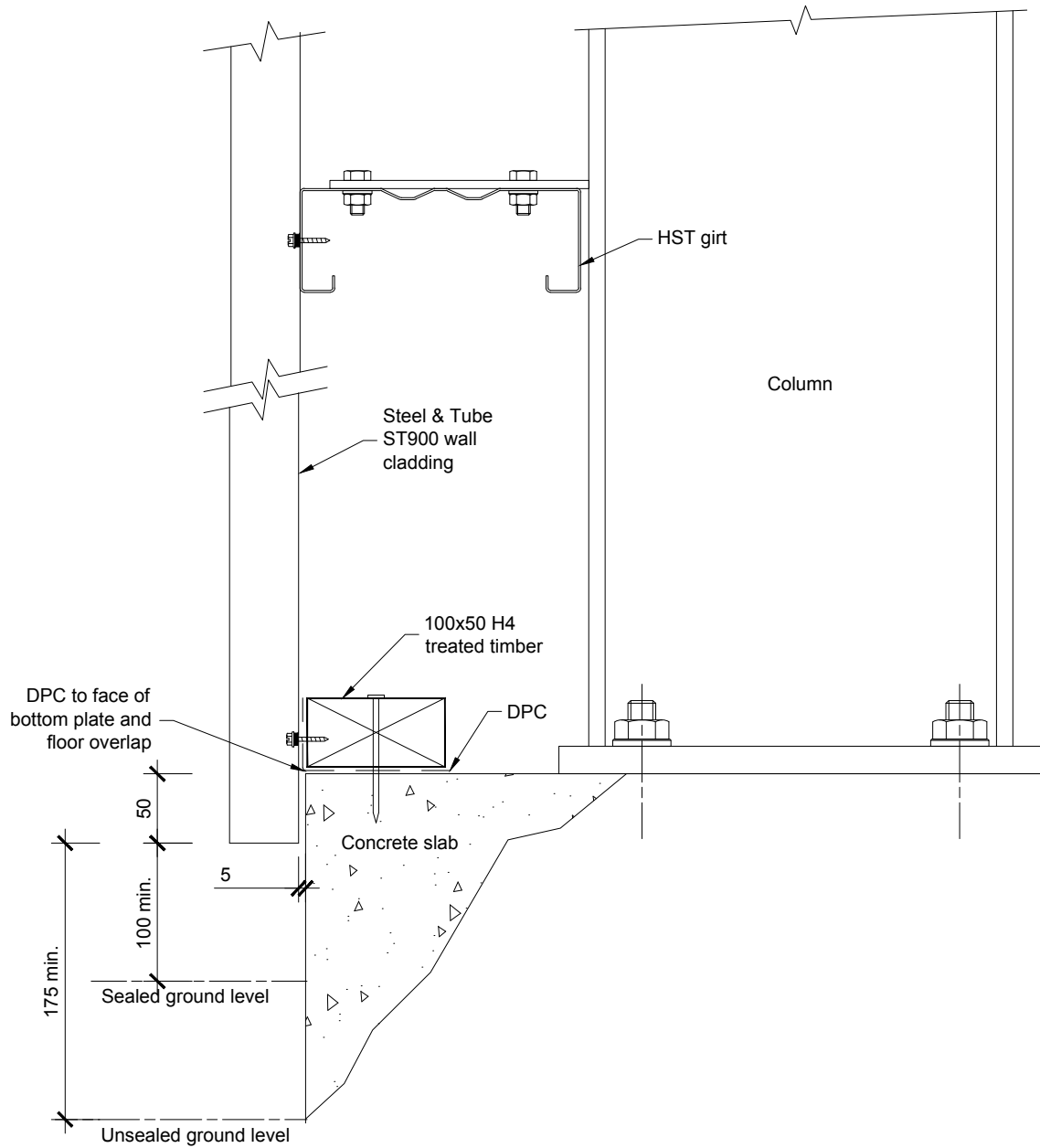
All dimensions in millimetres  
Scale 1:2  
16/01/12



comm\_st900-jctn\_tilt\_wall-hori

**Tilt Panel / Wall Junction**  
Horizontal Cladding Cross Section

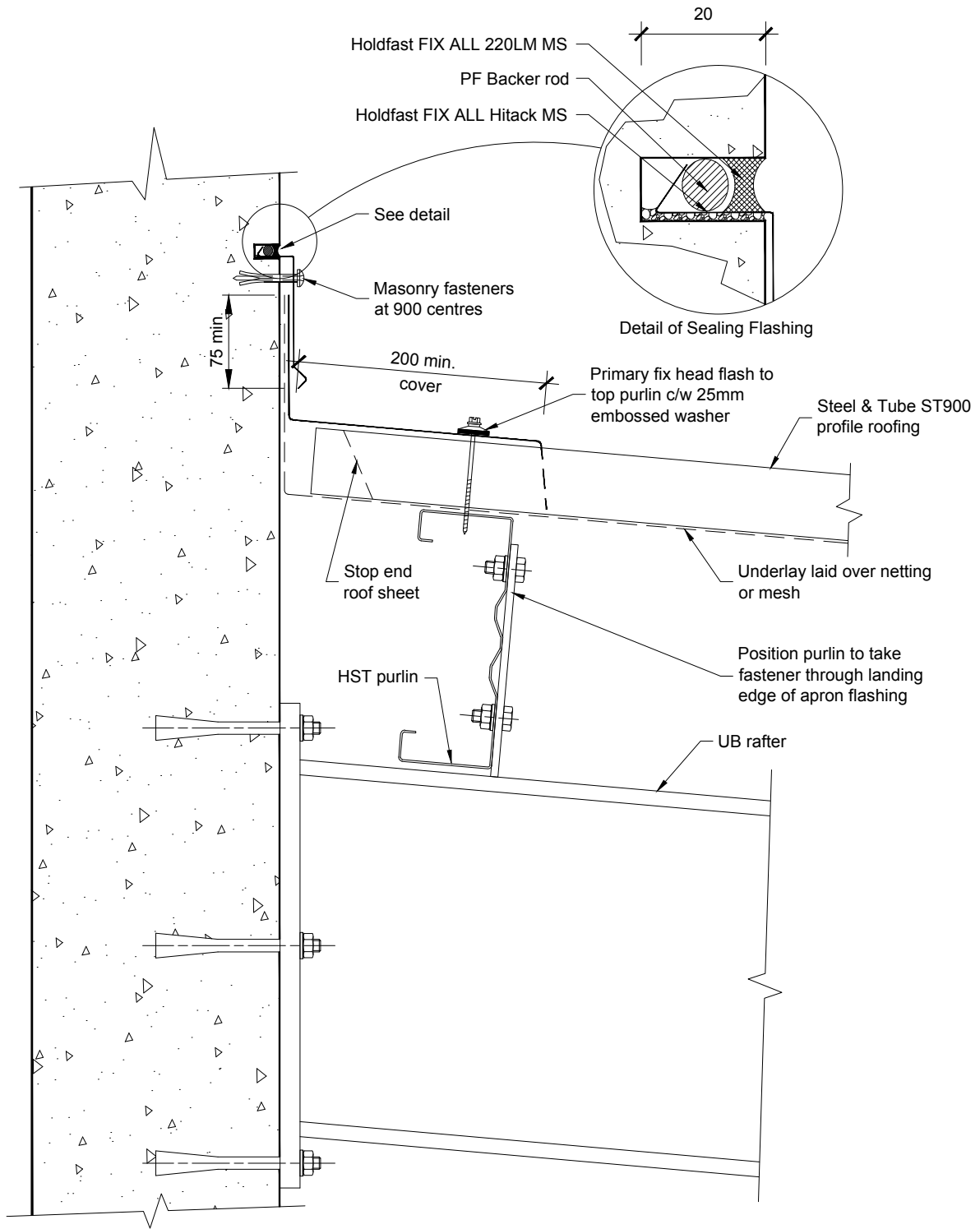
All dimensions in millimetres  
Scale 1:2  
16/01/12



comm\_st900-jctn\_wall\_floor

**Wall Cladding - Floor Junction**  
Cross Section

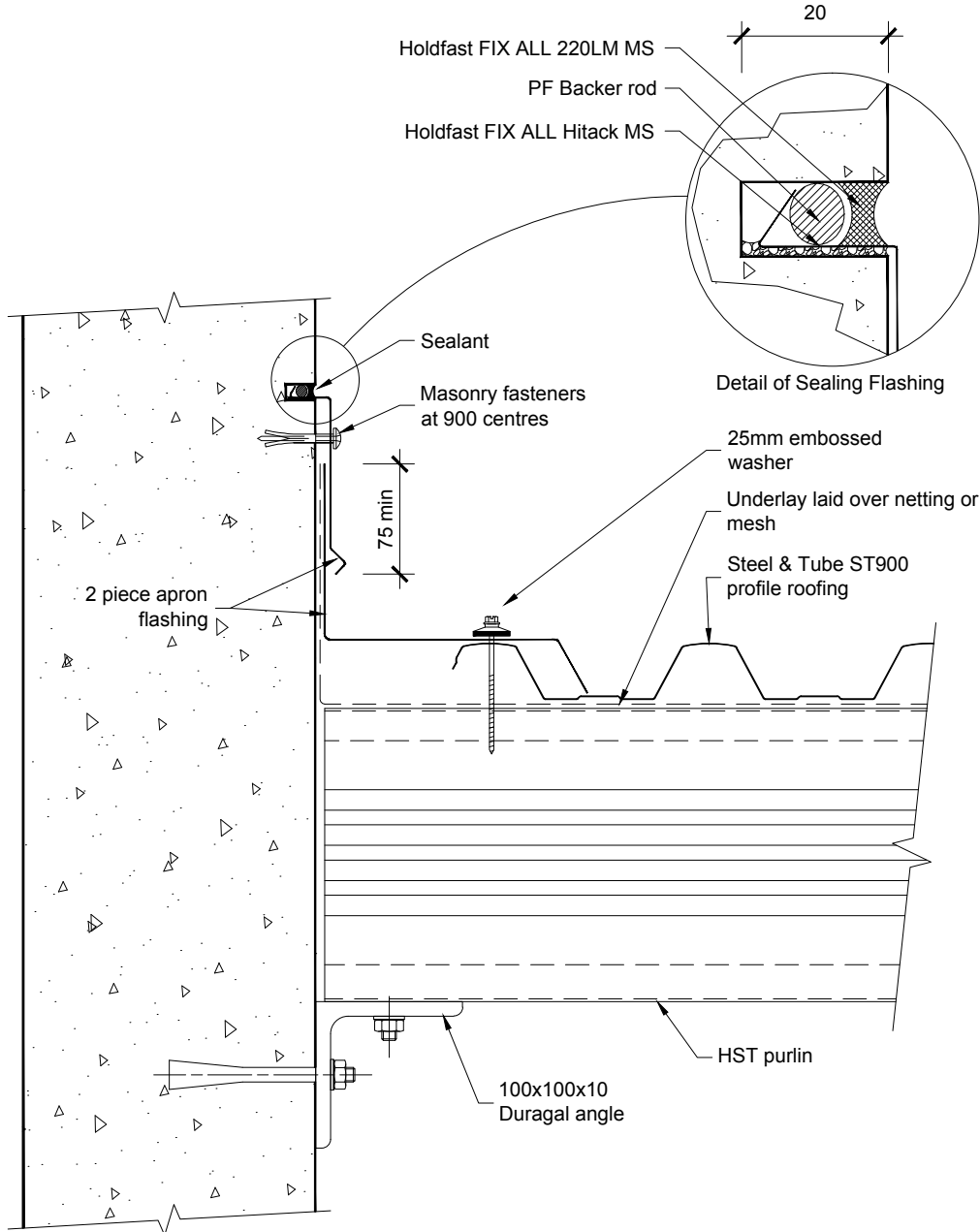
All dimensions in millimetres  
Scale 1:5  
16/01/12



comm\_st900-para\_chased\_head\_flash

**Chased Parapet Head Flashing**  
Cross Section

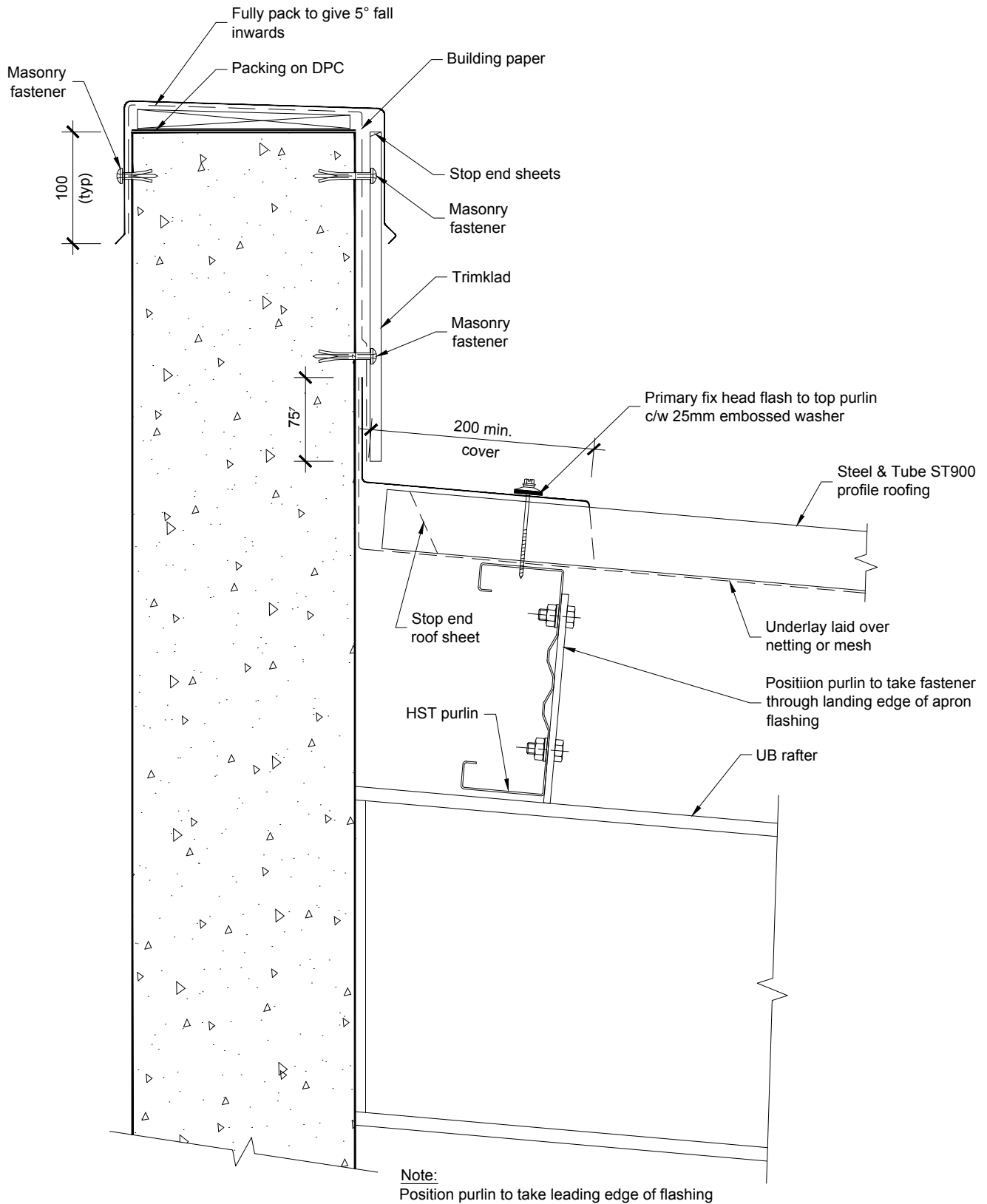
All dimensions in millimetres  
Scale 1:5  
16/01/12



comm\_st900-para\_chased\_side

**Chased Parapet Side Flashing**  
Cross Section

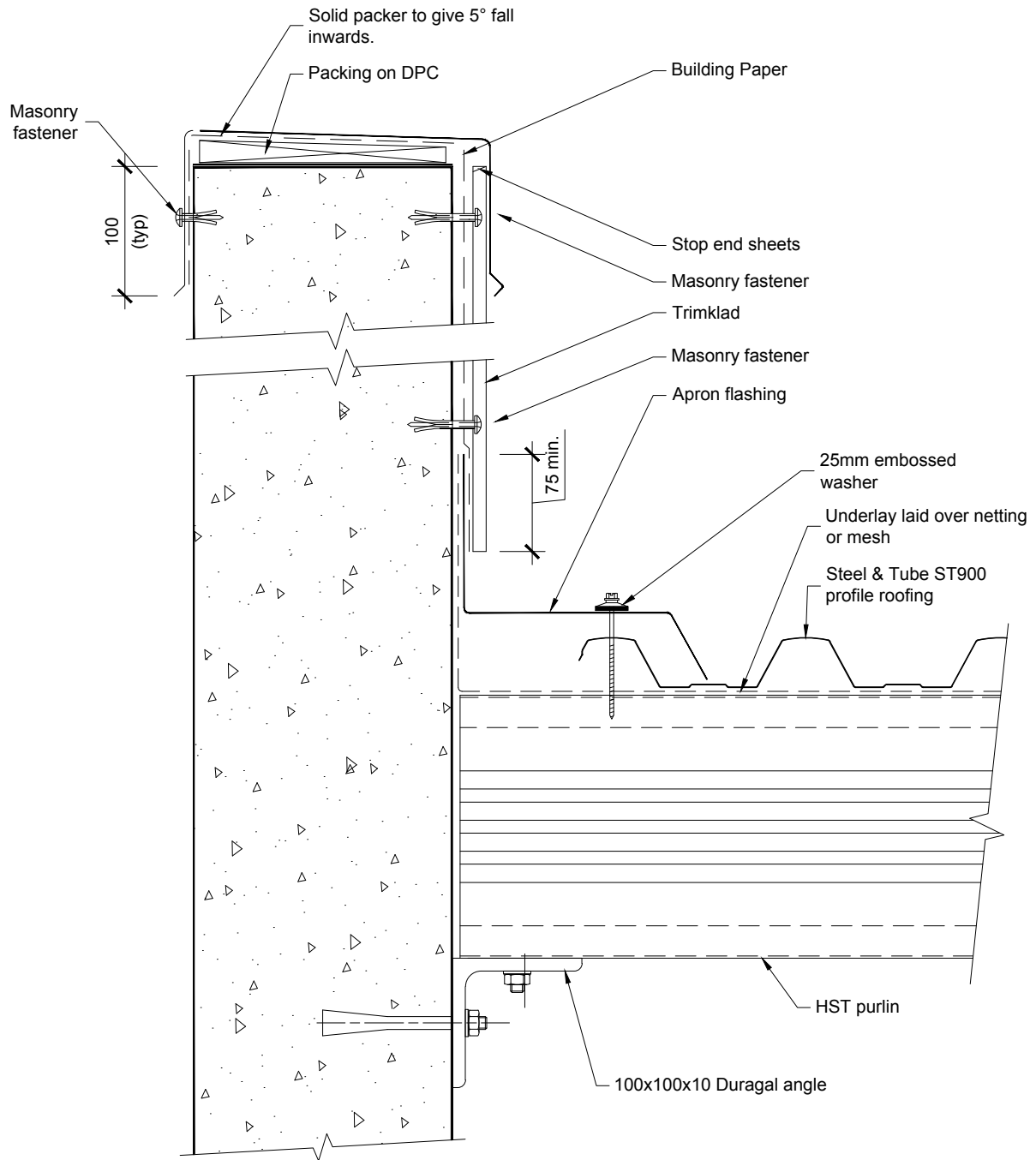
All dimensions in millimetres  
Scale 1:5  
16/01/12



comm\_st900-para\_lined\_head\_flash

**Lined Parapet Head Flashing**  
Cross Section

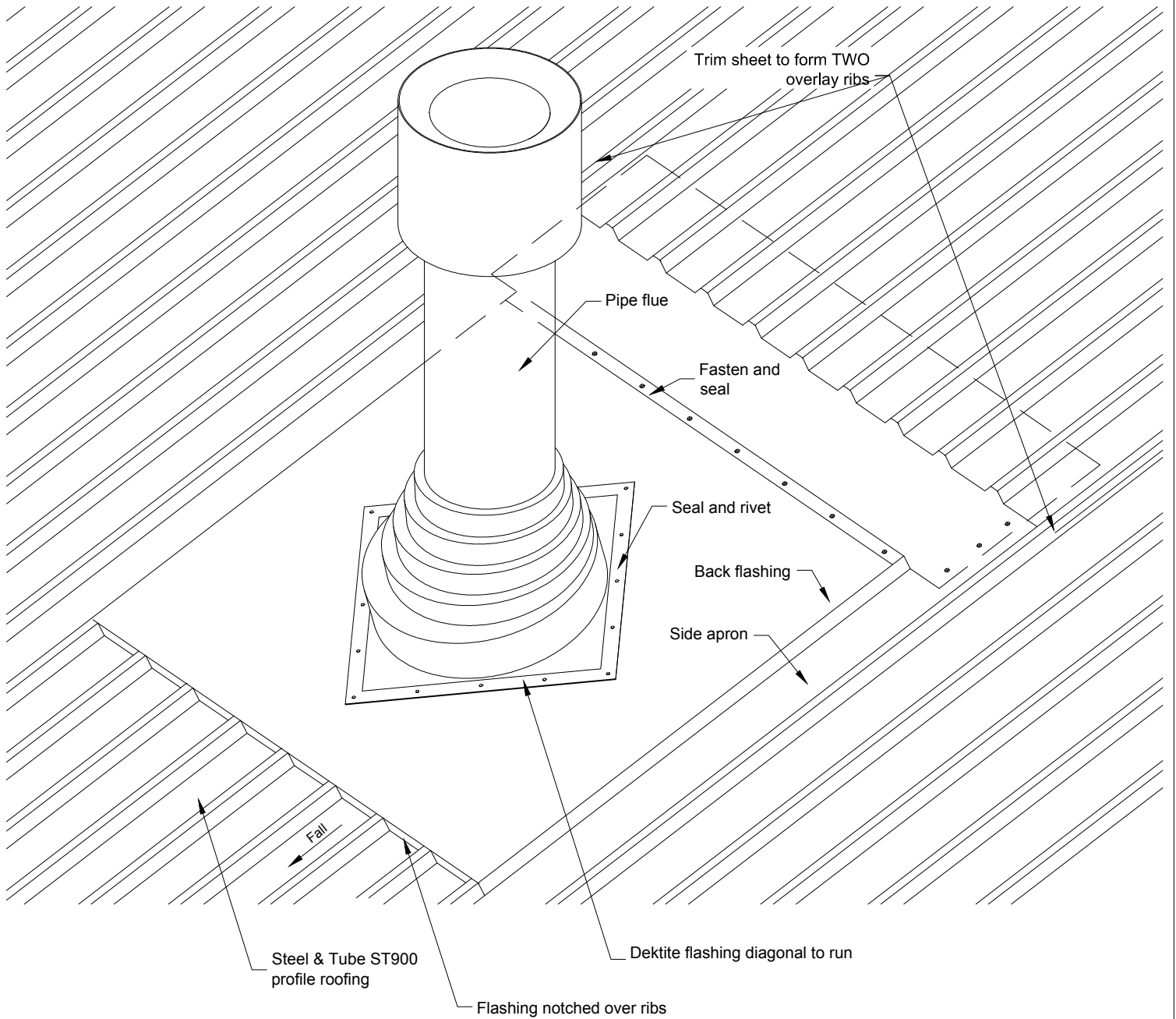
All dimensions in millimetres  
Scale 1:5  
16/01/12



comm\_st900-para\_lined\_side\_flash

**Lined Parapet Side Flashing**  
Cross Section

All dimensions in millimetres  
Scale 1:5  
16/01/12

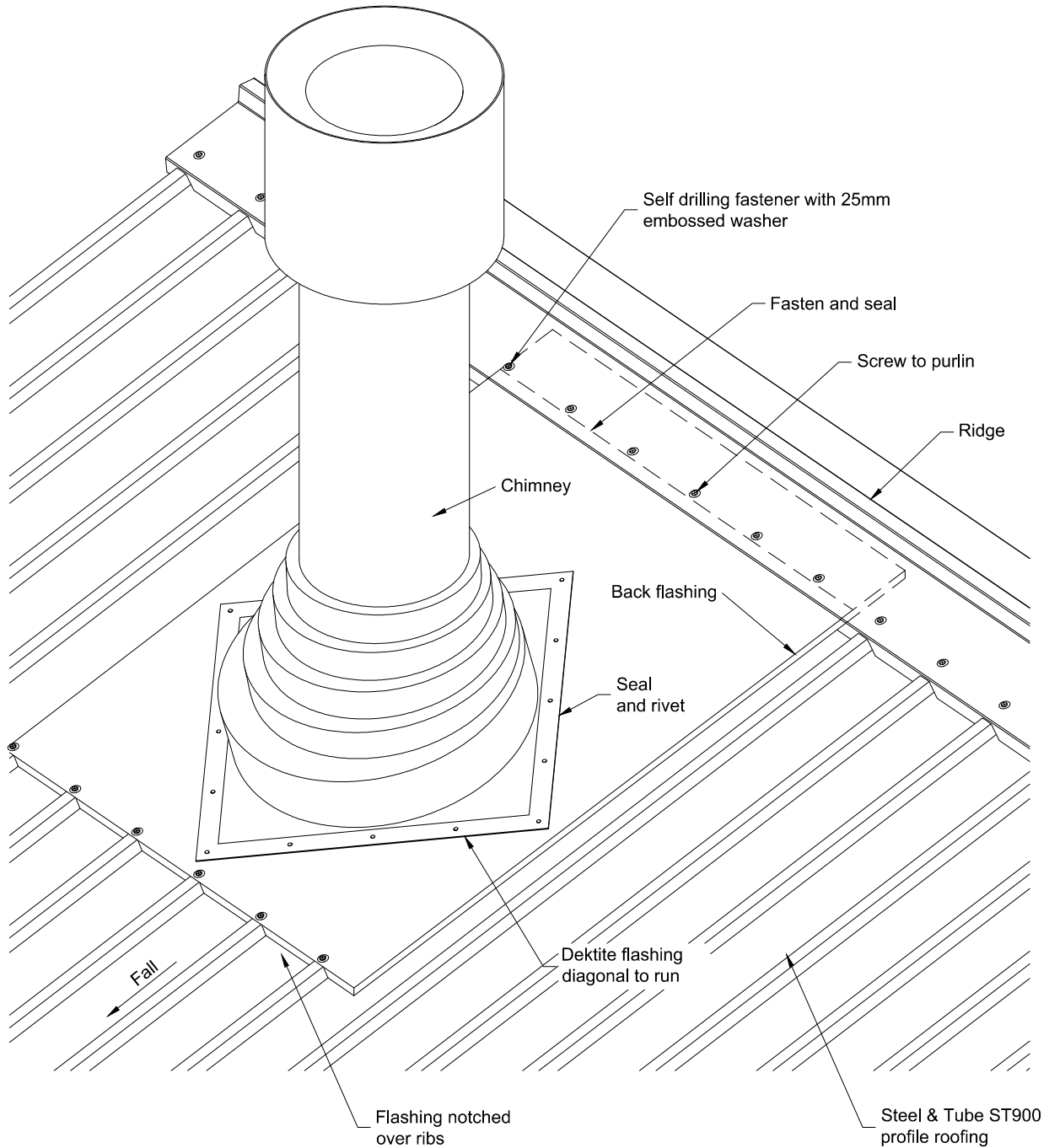


comm\_st900-pene\_round\_mid

**Penetration Flashing - Round Flue**

All dimensions in millimetres  
Scale 1:12  
16/01/12





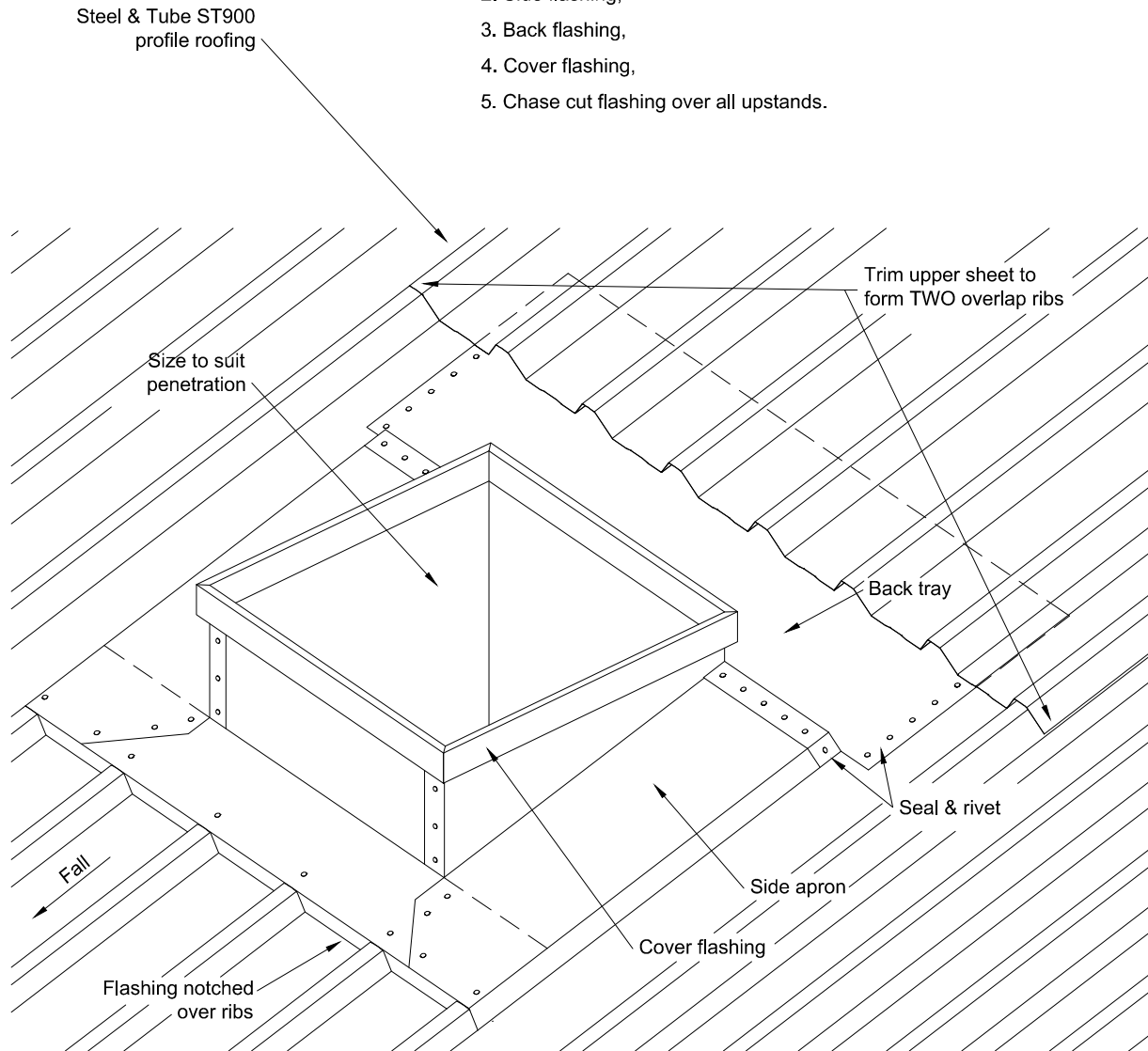
comm\_st900-pene\_round\_ridge

**Penetration Flashing - Round Flue**

All dimensions in millimetres  
Scale 1:10  
16/01/12

Laying Sequence:

1. Notched apron,
2. Side flashing,
3. Back flashing,
4. Cover flashing,
5. Chase cut flashing over all upstands.



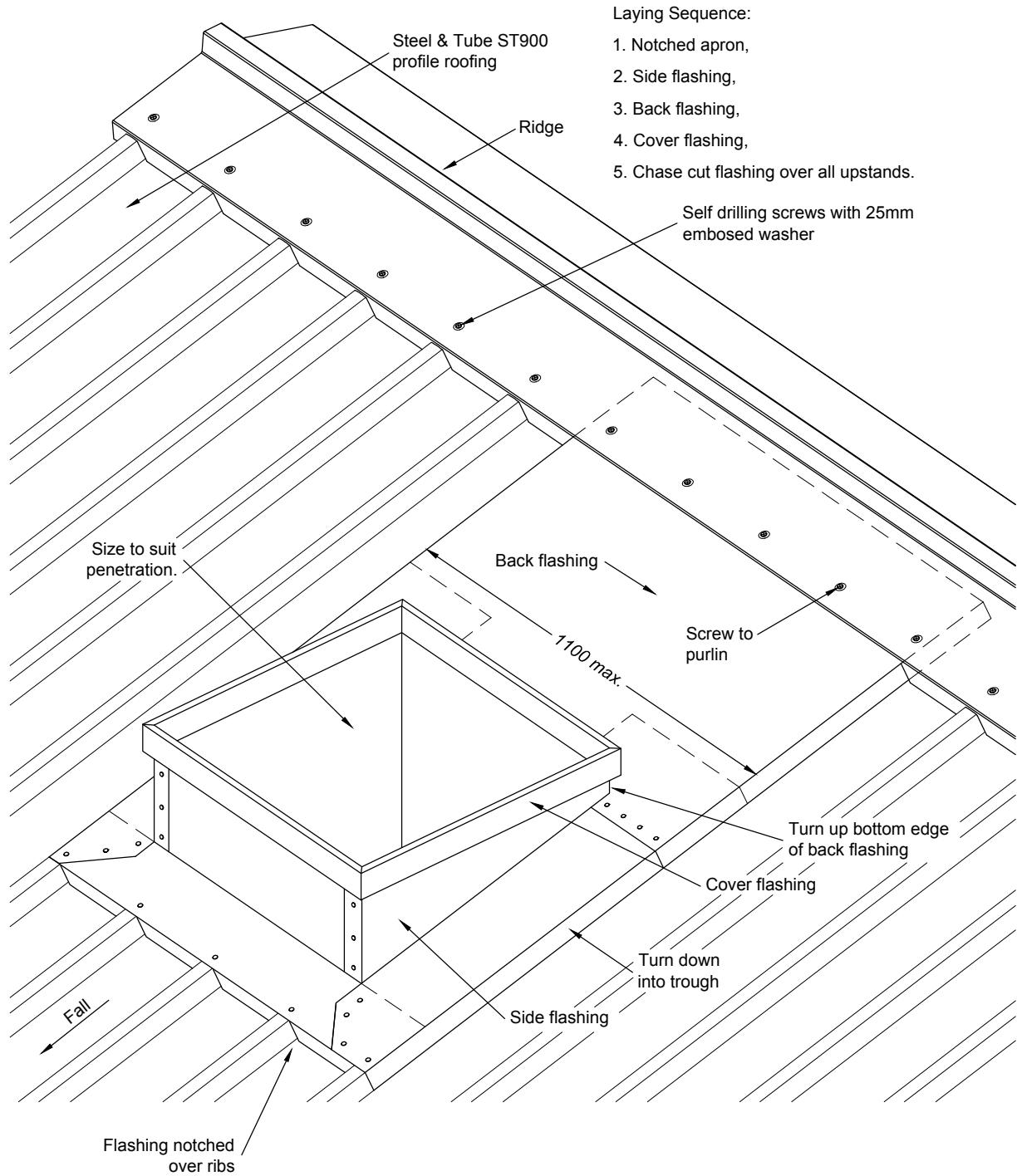
Note:

Use back flashing to ridge where possible.

comm\_st900-pene\_square\_mid

**Penetration Flashing**

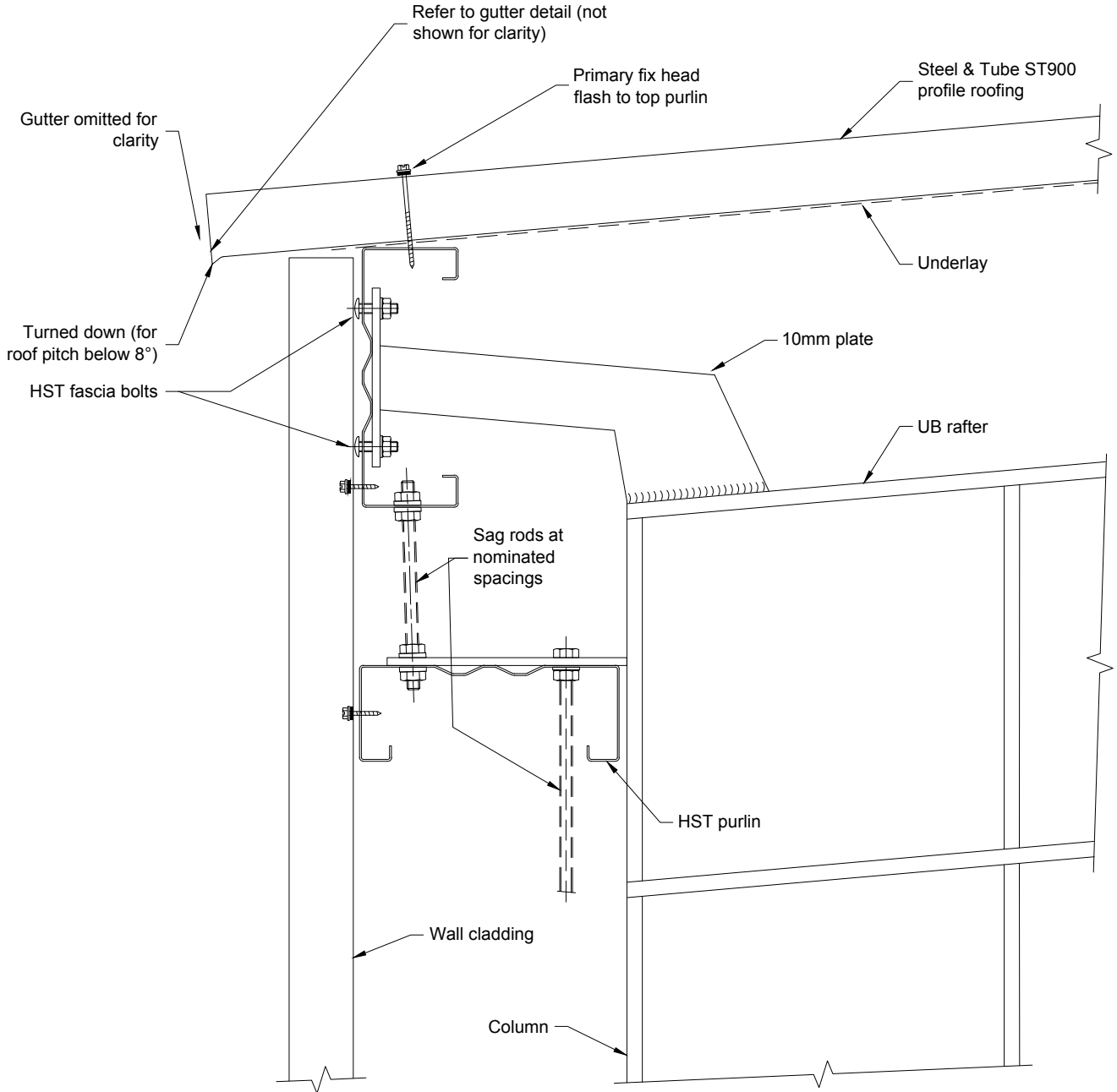
All dimensions in millimetres  
Scale 1:10  
16/01/12



comm\_st900-pene\_square\_ridge

**Penetration Flashing - Back Flashed**

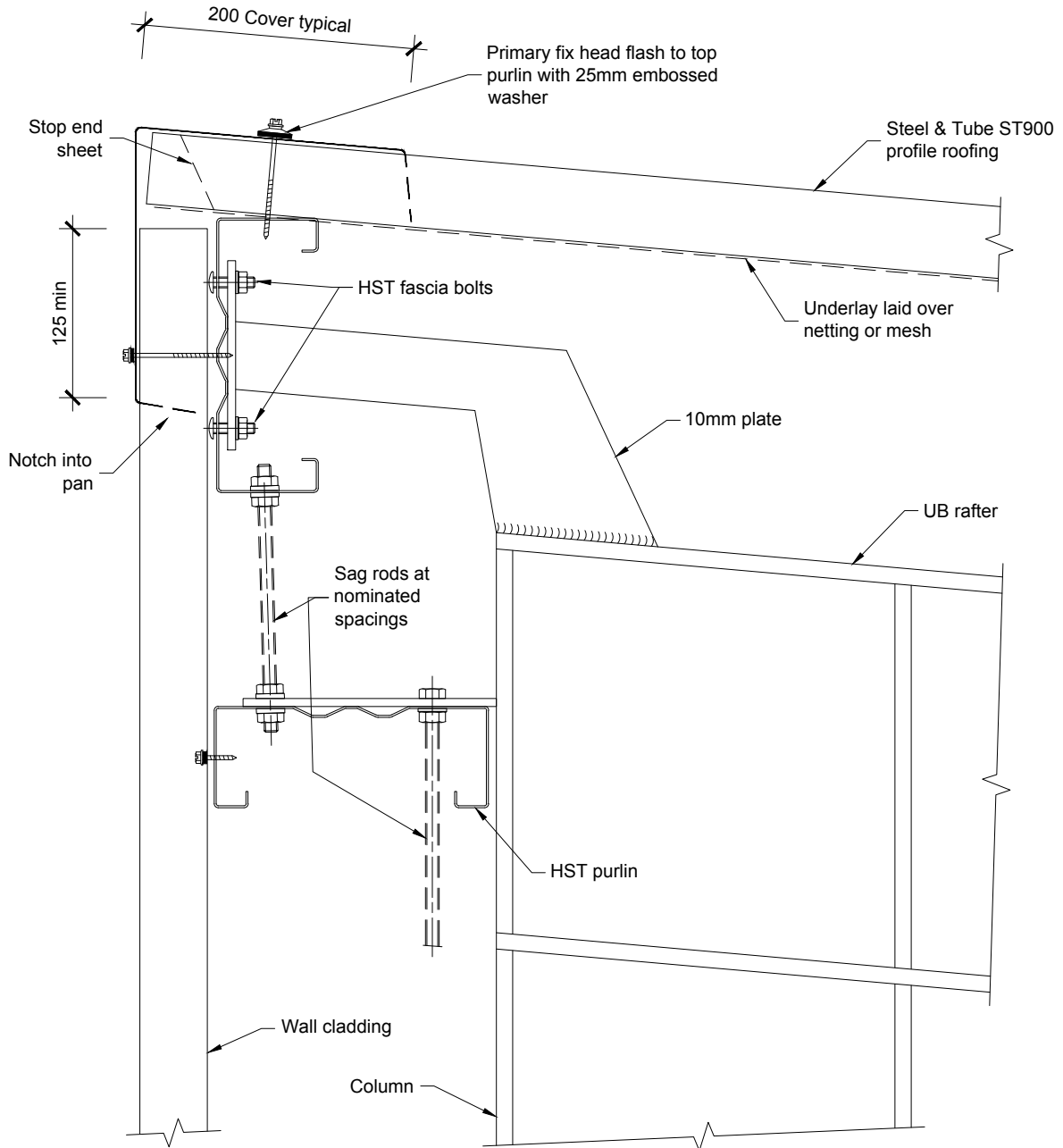
All dimensions in millimetres  
Scale 1:10  
16/01/12



comm\_st900-port\_eaves

**Eaves Detail Girt Outside Portal Leg, Offset Cleat**  
Cross Section

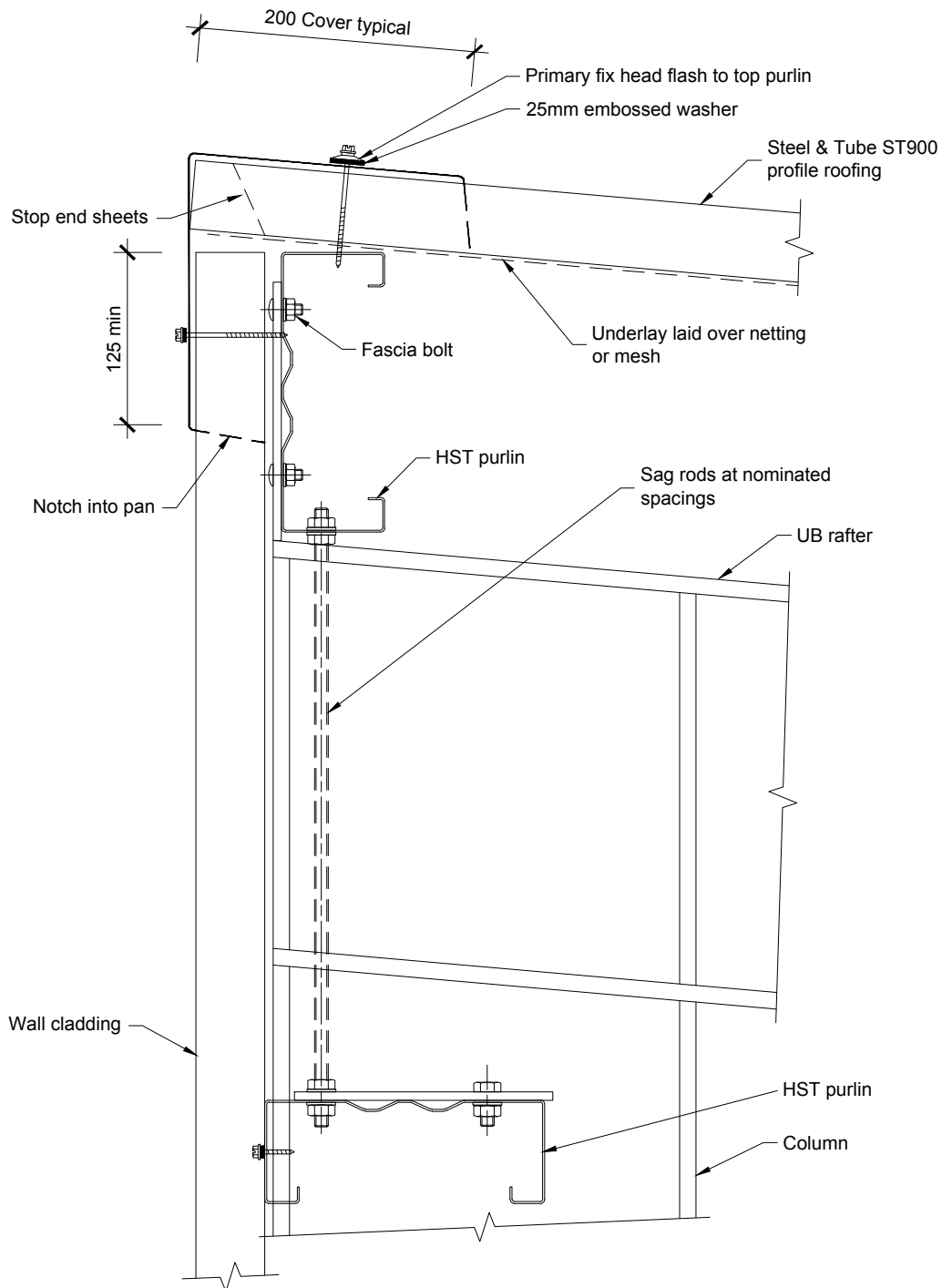
All dimensions in millimetres  
Scale 1:5  
16/01/12



comm\_st900-port\_head\_flash\_cleat

**Head Flash Girt Outside Portal Leg, Offset Cleat**  
Cross Section

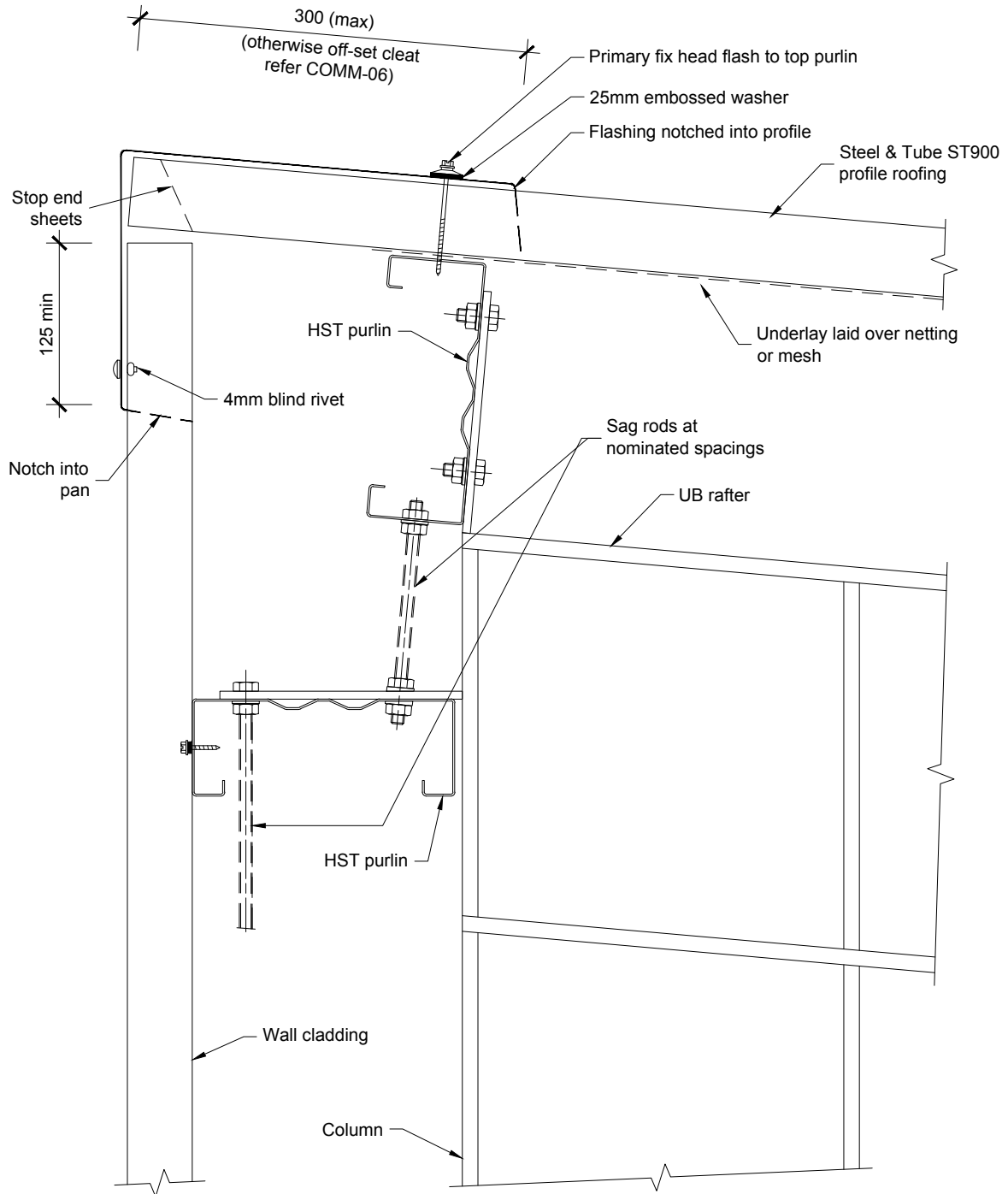
All dimensions in millimetres  
Scale 1:5  
16/01/12



comm\_st900-port\_head\_flash\_girt

**Head Flash Girts In Between Columns**  
Cross Section

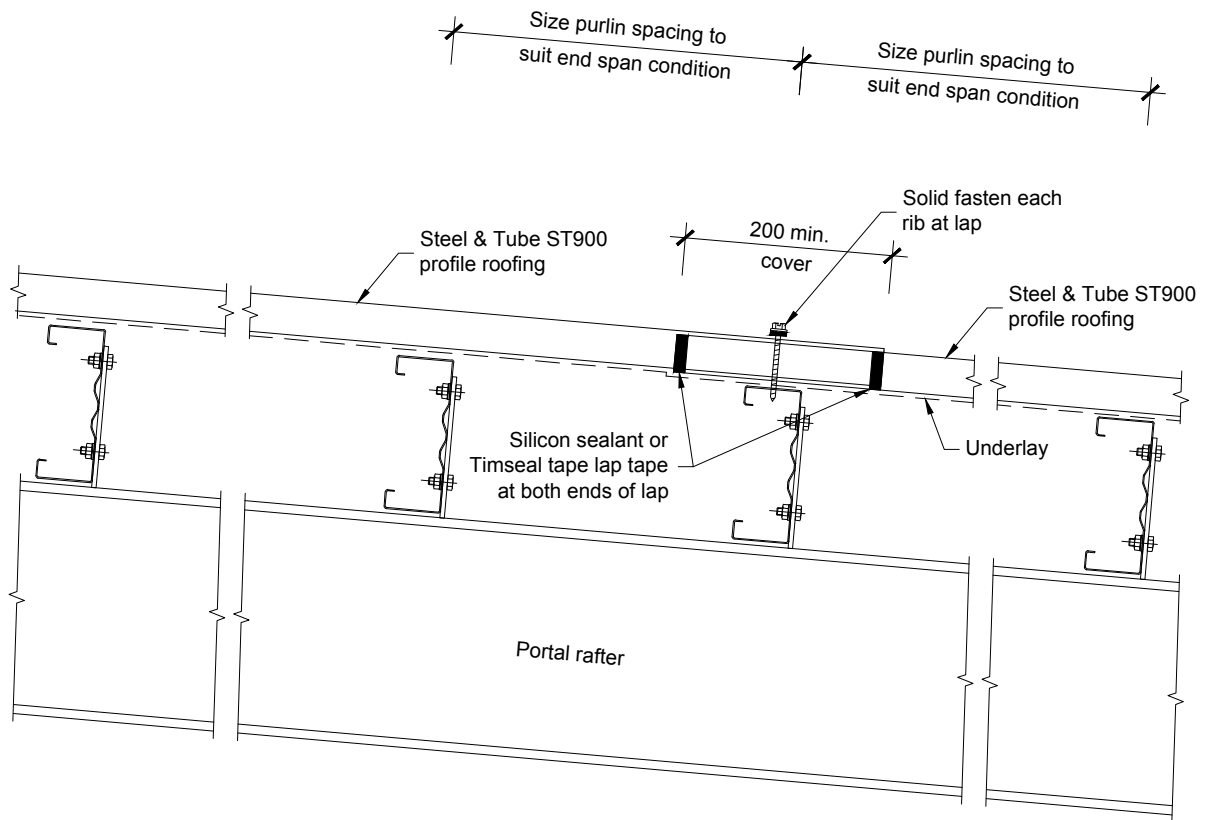
All dimensions in millimetres  
Scale 1:5  
16/01/12



comm\_st900-port\_head\_flash

**Head Flash Girt Outside Portal Leg**  
Cross Section

All dimensions in millimetres  
Scale 1:5  
16/01/12

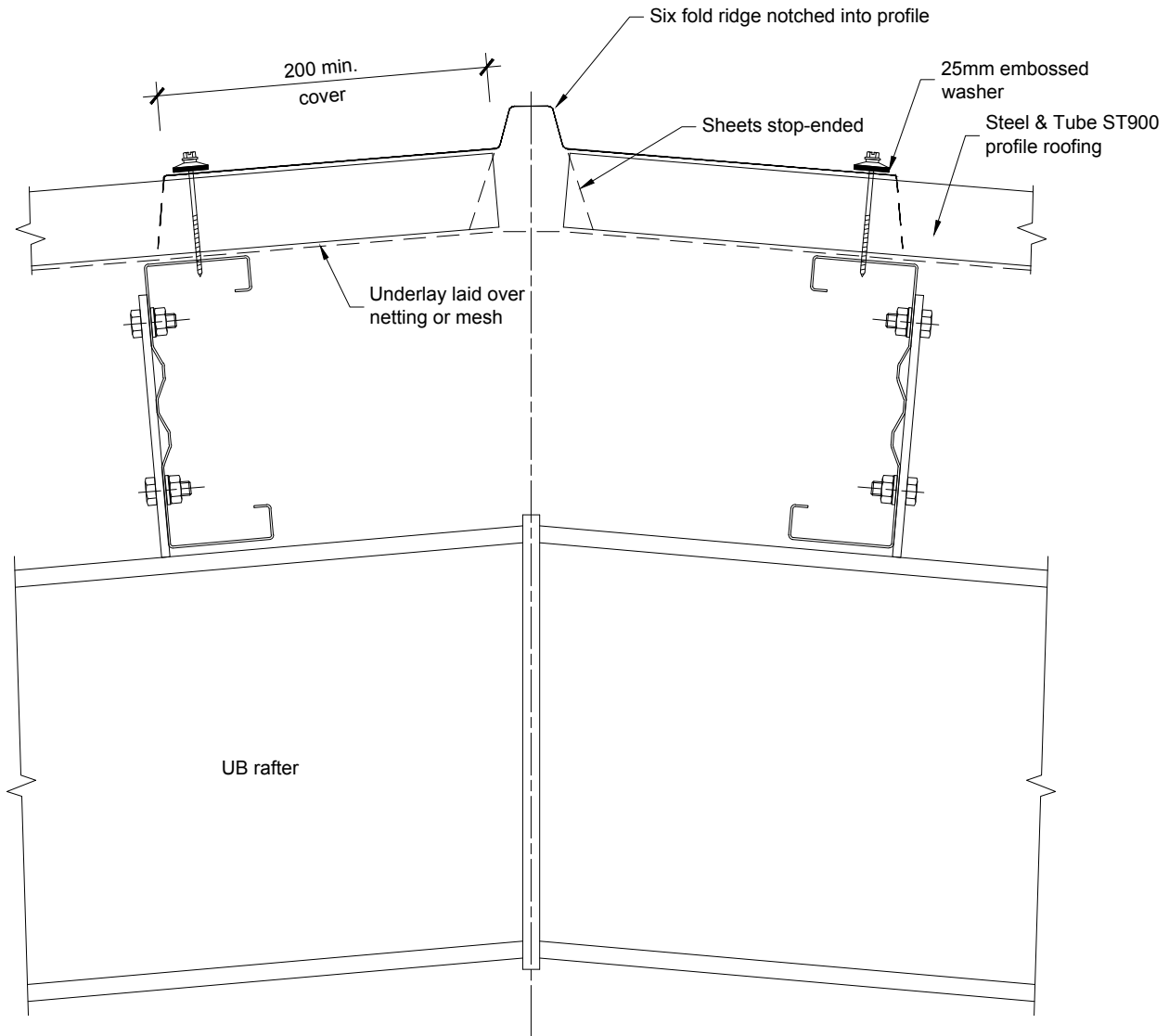


comm\_st900-port\_raft\_end\_lap

**End Lap Detail**  
Cross Section

All dimensions in millimetres  
Scale 1:10  
16/01/12

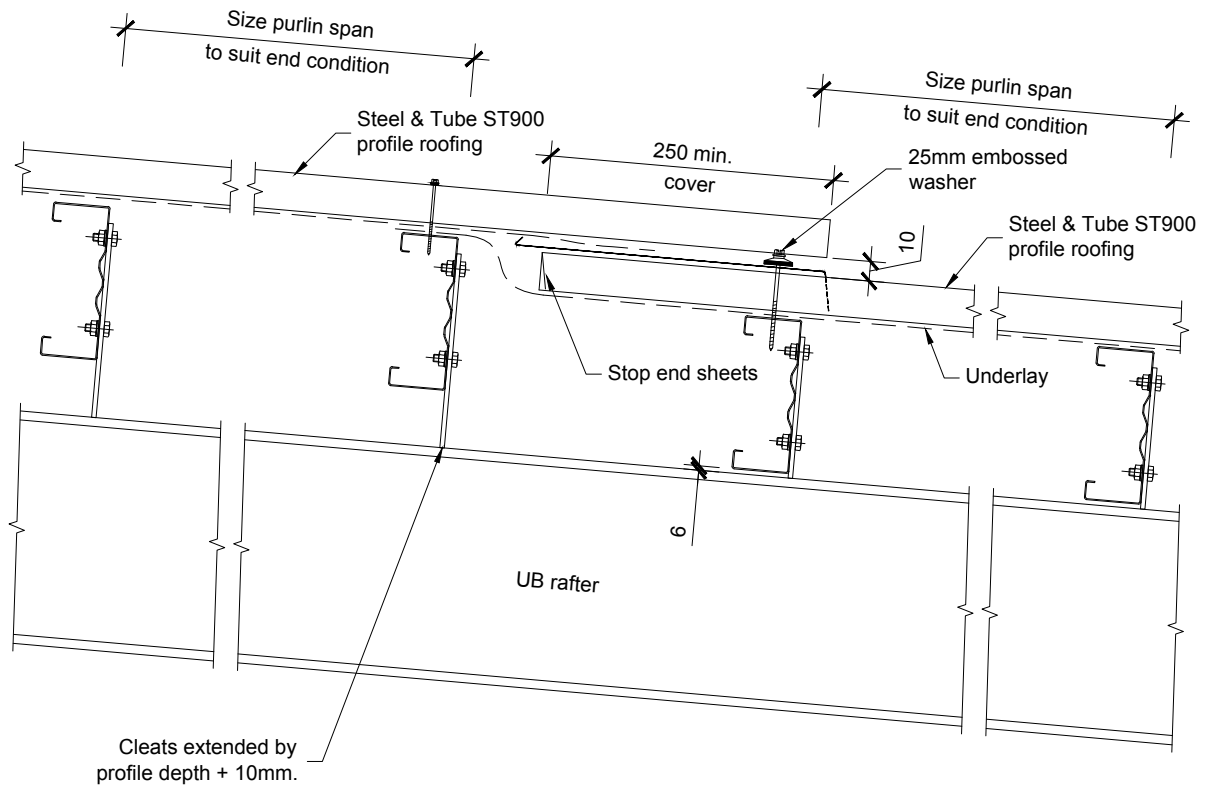




comm\_st900-port\_ridge

**Ridge Apex**  
Cross Section

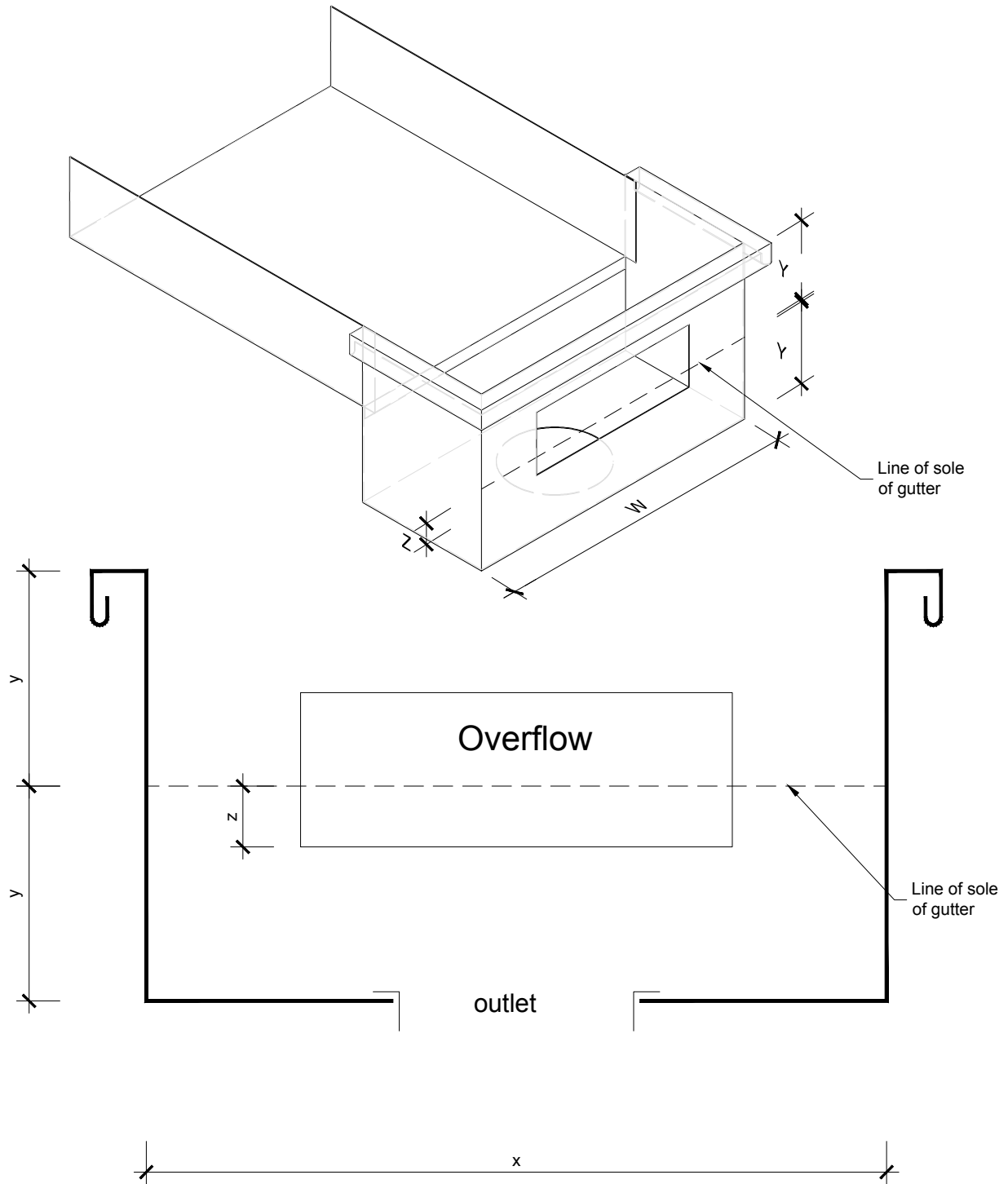
All dimensions in millimetres  
Scale 1:5  
16/01/12



comm\_st900-purl\_step\_flash

**Step Flashing Extended Purlin Cleats**  
Cross Section

All dimensions in millimetres  
Scale 1:10  
16/01/12

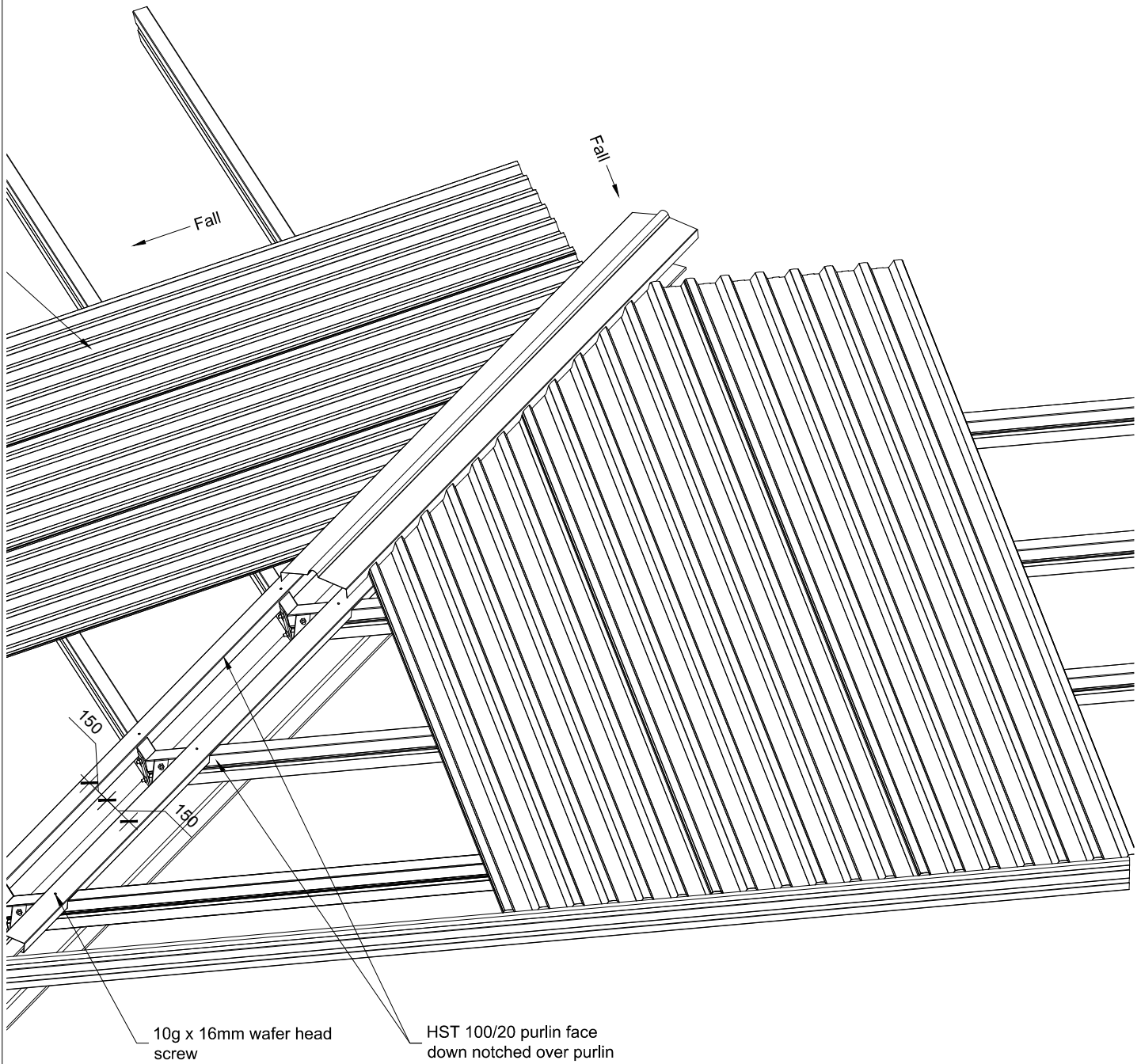


Dimension  $y$  equal to Depth of gutter at outflow  
 Dimension  $x$  equal to width of gutter plus 3mm  
 Dimension  $z$  greater than or equal to 25mm  
 Cross-section area of overflow greater than or equal to Cross-section area of outlet

comm\_st900-rain\_head

**Rainwater Head Dimensions**

All dimensions in millimetres  
 Scale 1:2  
 16/01/12



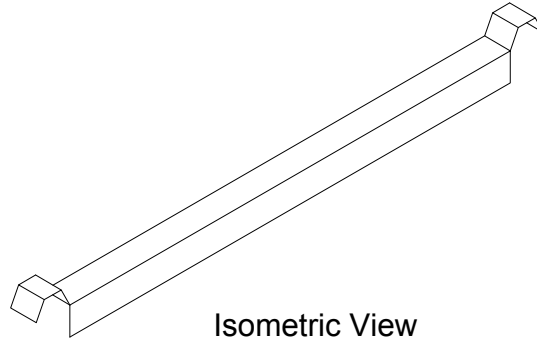
**NOTES:**

1. Netting and underlay omitted for clarity
2. Stopend top edge of sheet

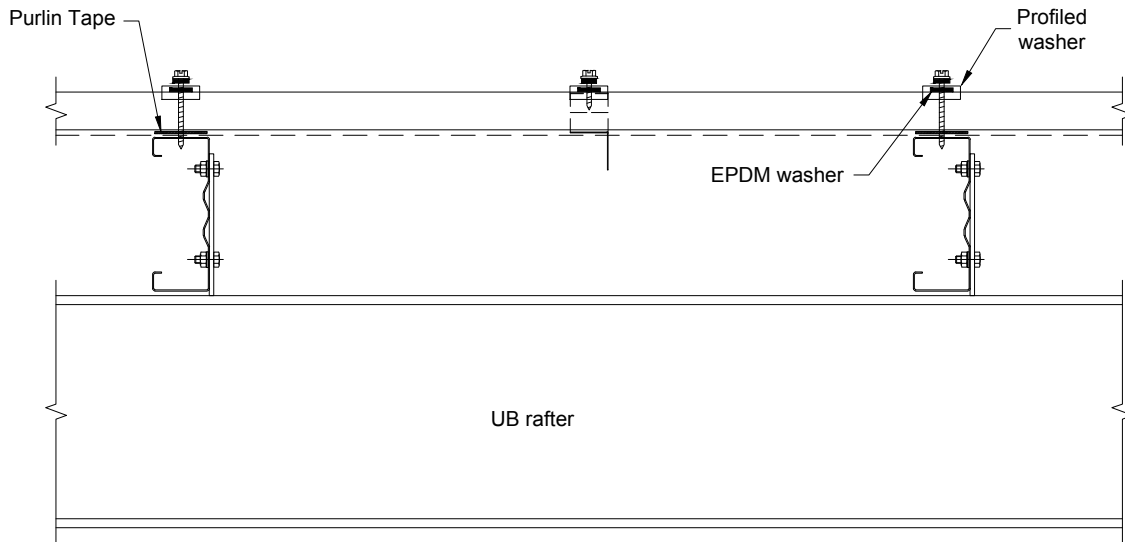
comm\_st900-roof\_hip\_raft\_purl

**Hip Rafter Purlin**  
Isometric View

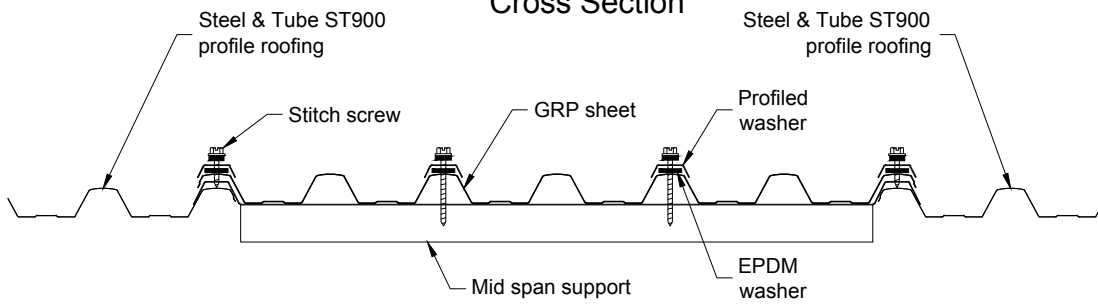
All dimensions in millimetres  
Scale 1:25  
16/01/12



Isometric View



Cross Section



Elevation

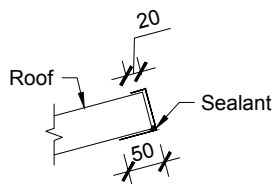
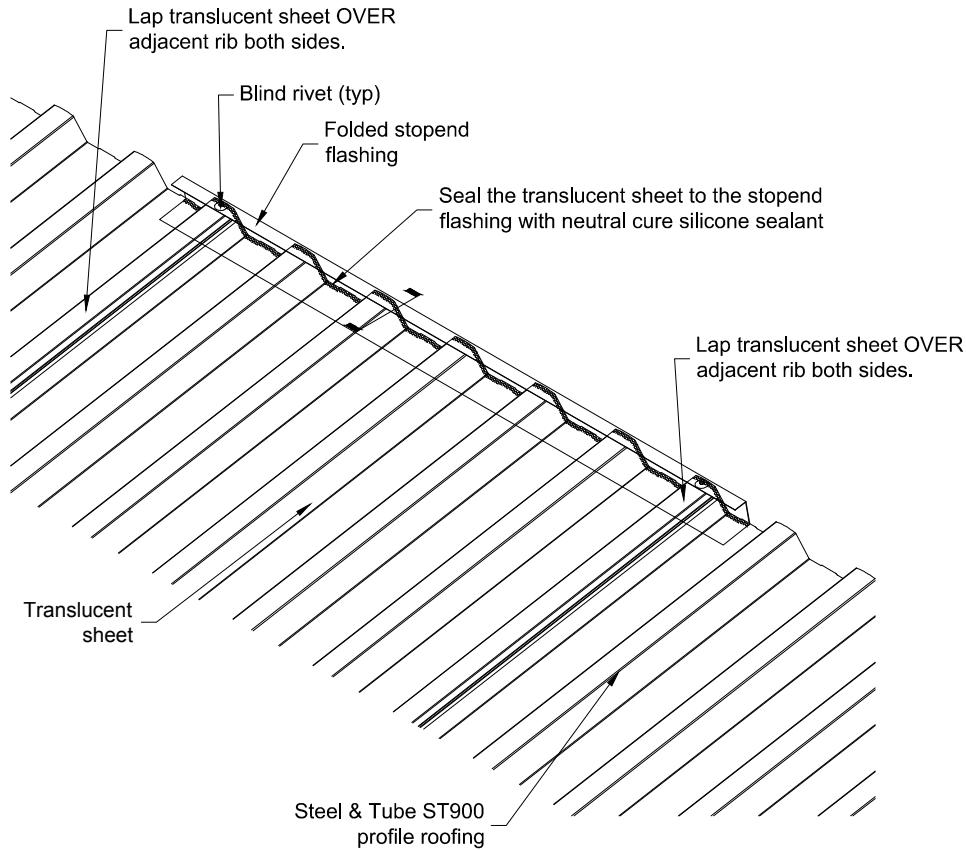
Profile	Sheet Weight gr/m <sup>2</sup>	Maximum Span
Low Rib	1800	1200
Medium Rib	2200	1700
High Rib	2200	2100

Use mid span support when spans exceed maximum span, or specify heavier weight GRP sheet.

comm\_st900-tran\_sht\_midspan

**Translucent Sheet Mid Span Support**

All dimensions in millimetres  
Scale 1:10  
16/01/12

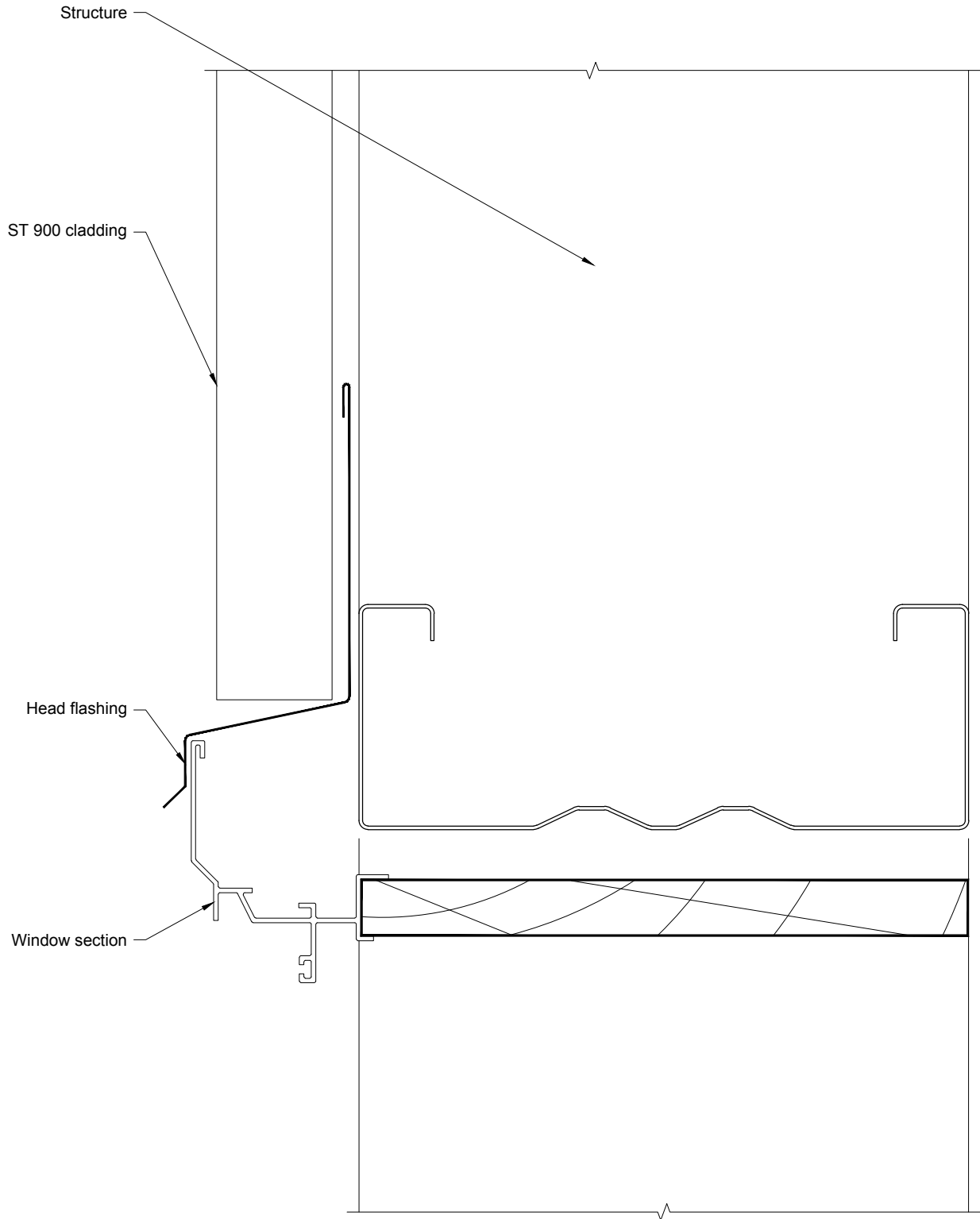


**CROSS SECTION**

comm\_st900-tran\_sht\_stopend

**Translucent Sheet Stop-end**  
Isometric View

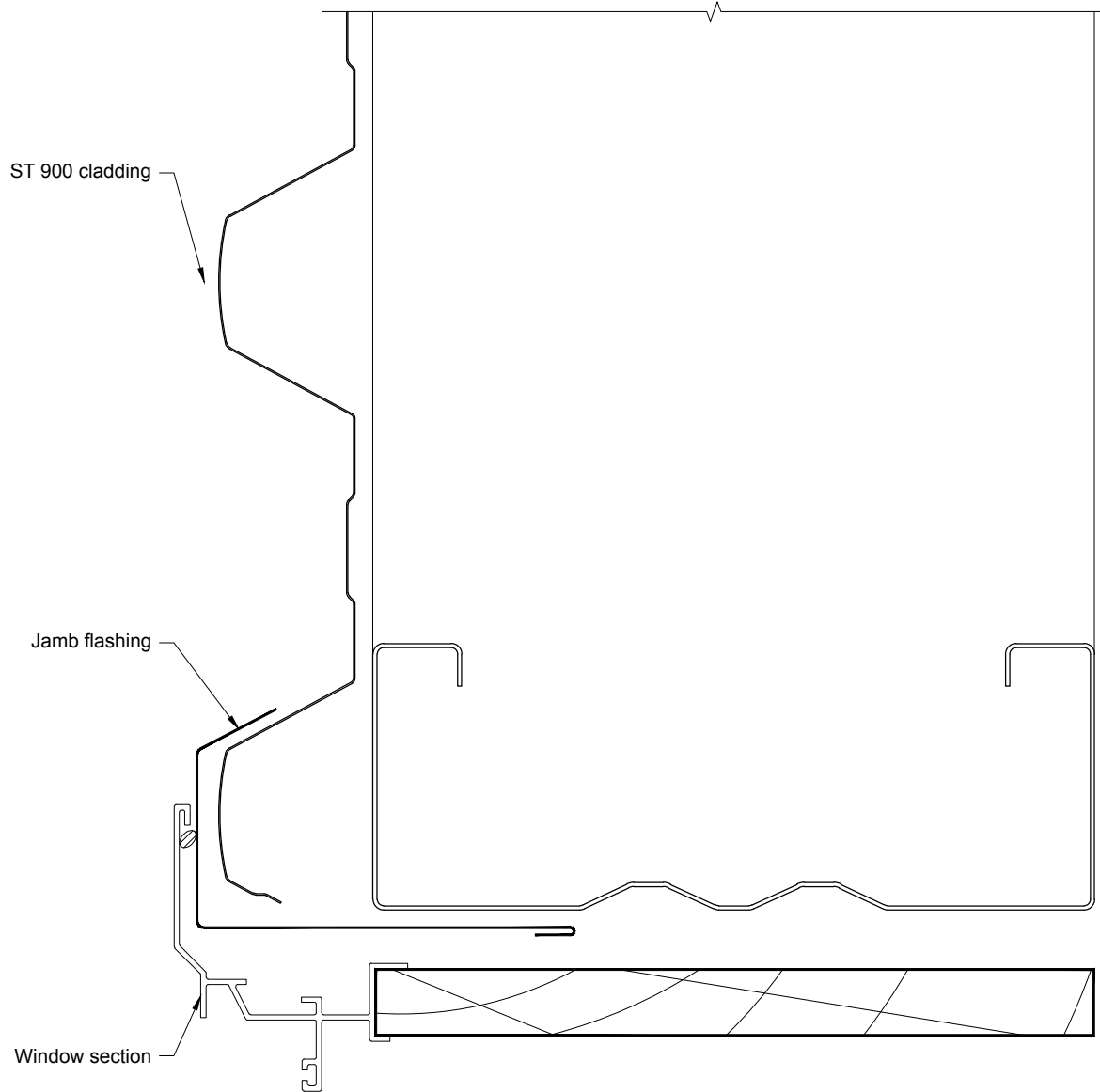
All dimensions in millimetres  
Scale 1:10  
16/01/12



comm\_st900-wind-head

**Commercial Wall - Windows Detail**  
Window Head

All dimensions in millimetres  
Scale 1:2  
16/01/12

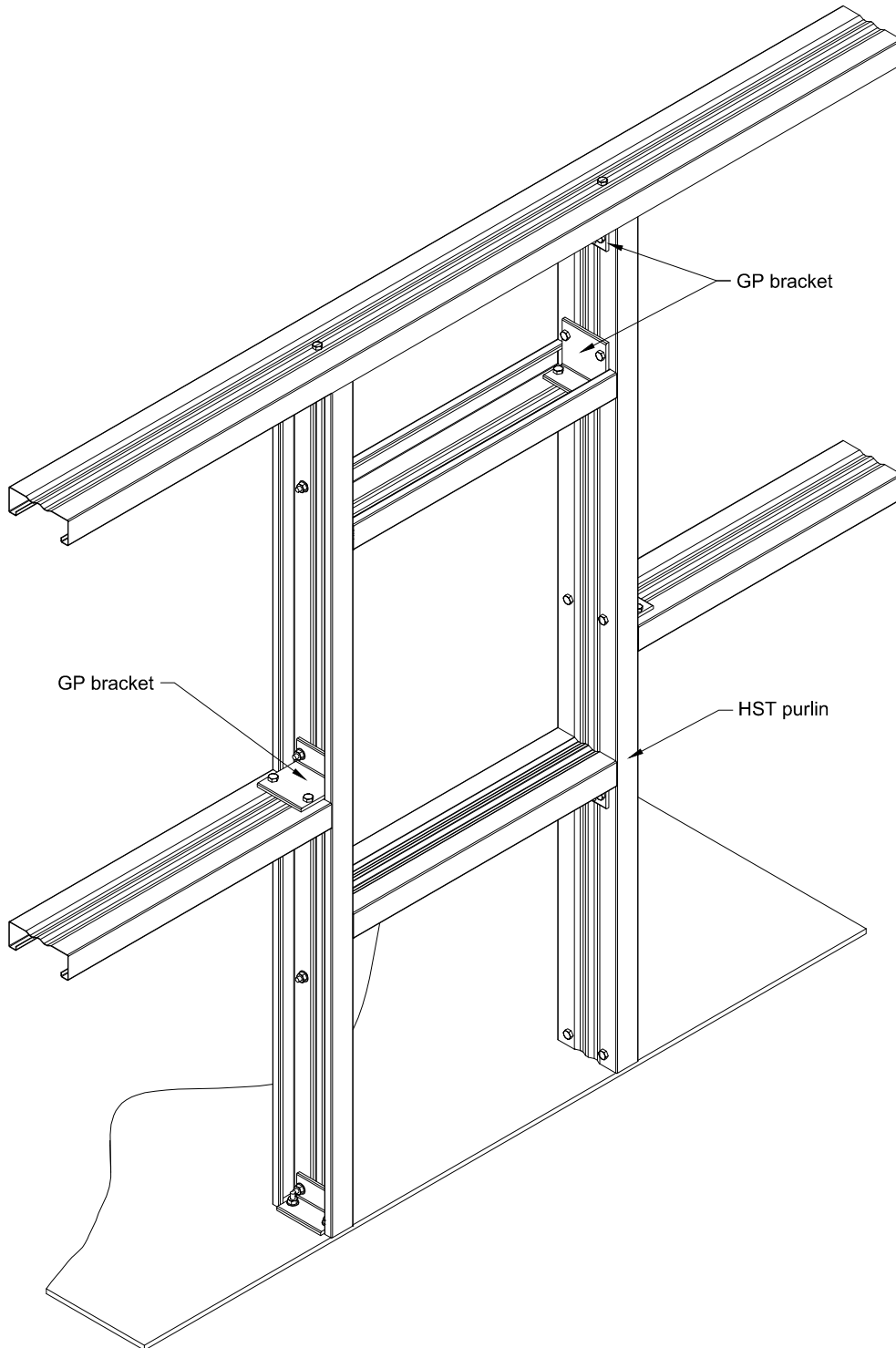


comm\_st900-wind-jamb

**Commercial Wall - Windows Detail**  
Window Jamb

All dimensions in millimetres  
Scale 1:2  
16/01/12





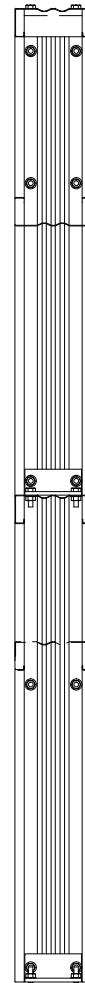
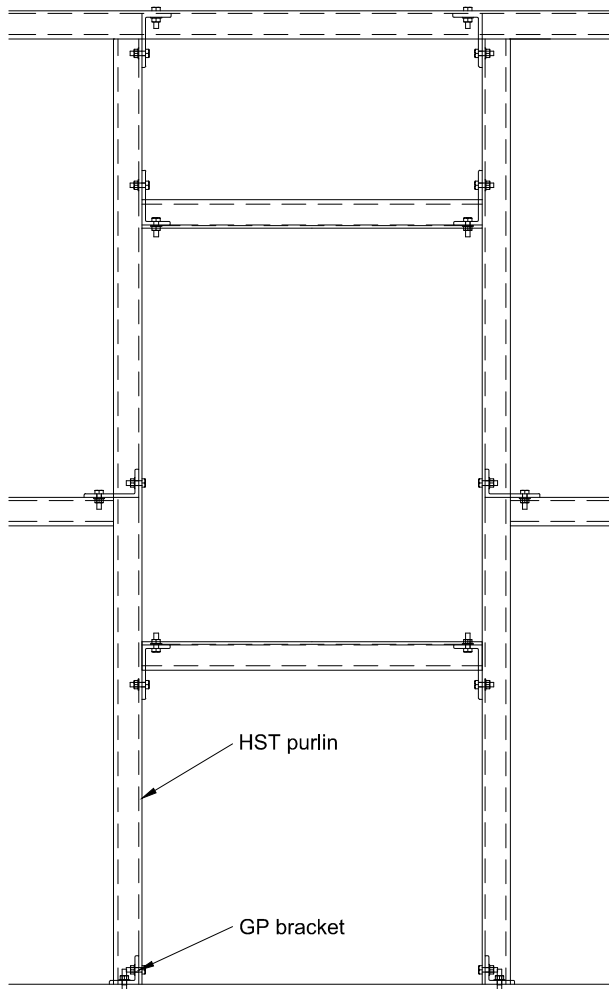
comm\_st900-wind-open-iso

**Commercial Wall - Windows Detail**  
Window Opening - Isometric View

All dimensions in millimetres  
Scale 1:20  
16/01/12

ELEVATION

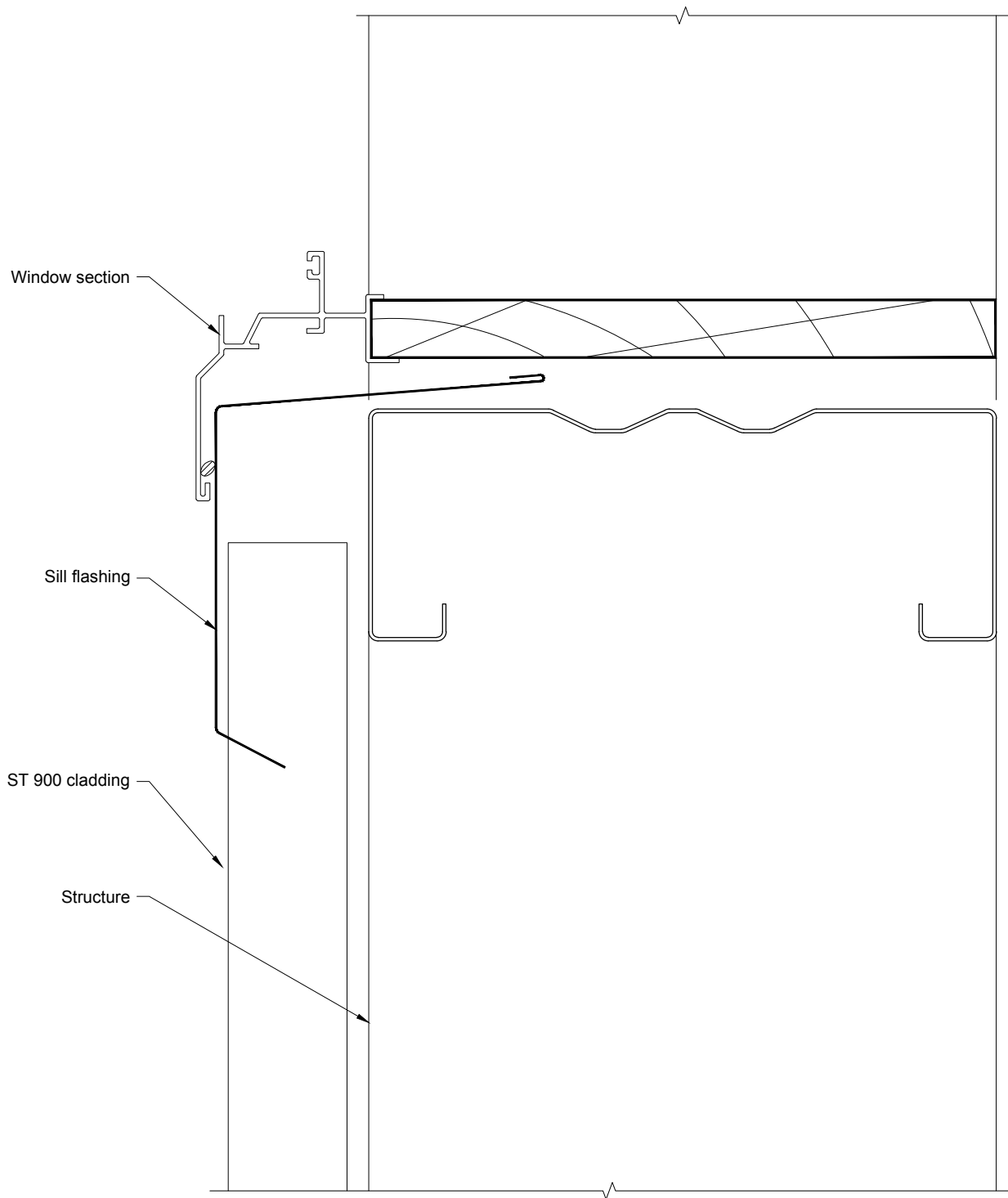
SIDE VIEW



comm\_st900-wind-open-ortho

**Commercial Wall - Windows Detail**  
Window Opening - Elevation

All dimensions in millimetres  
Scale 1:20  
16/01/12



comm\_st900-wind-sill

**Commercial Wall - Windows Detail**  
Window Sill

All dimensions in millimetres  
Scale 1:2  
16/01/12