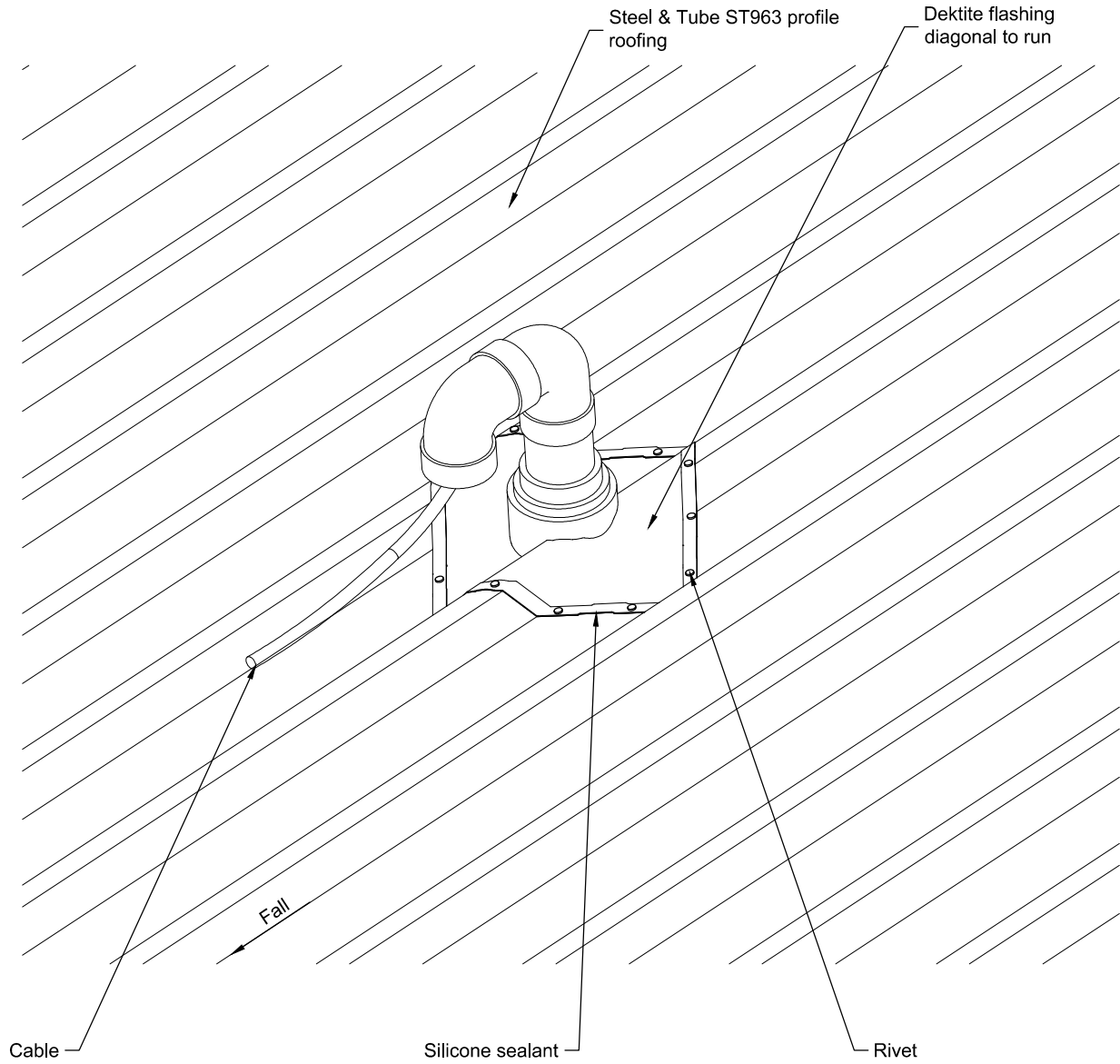


comm_st963-barg_flash

Barge Flashing
Cross Section

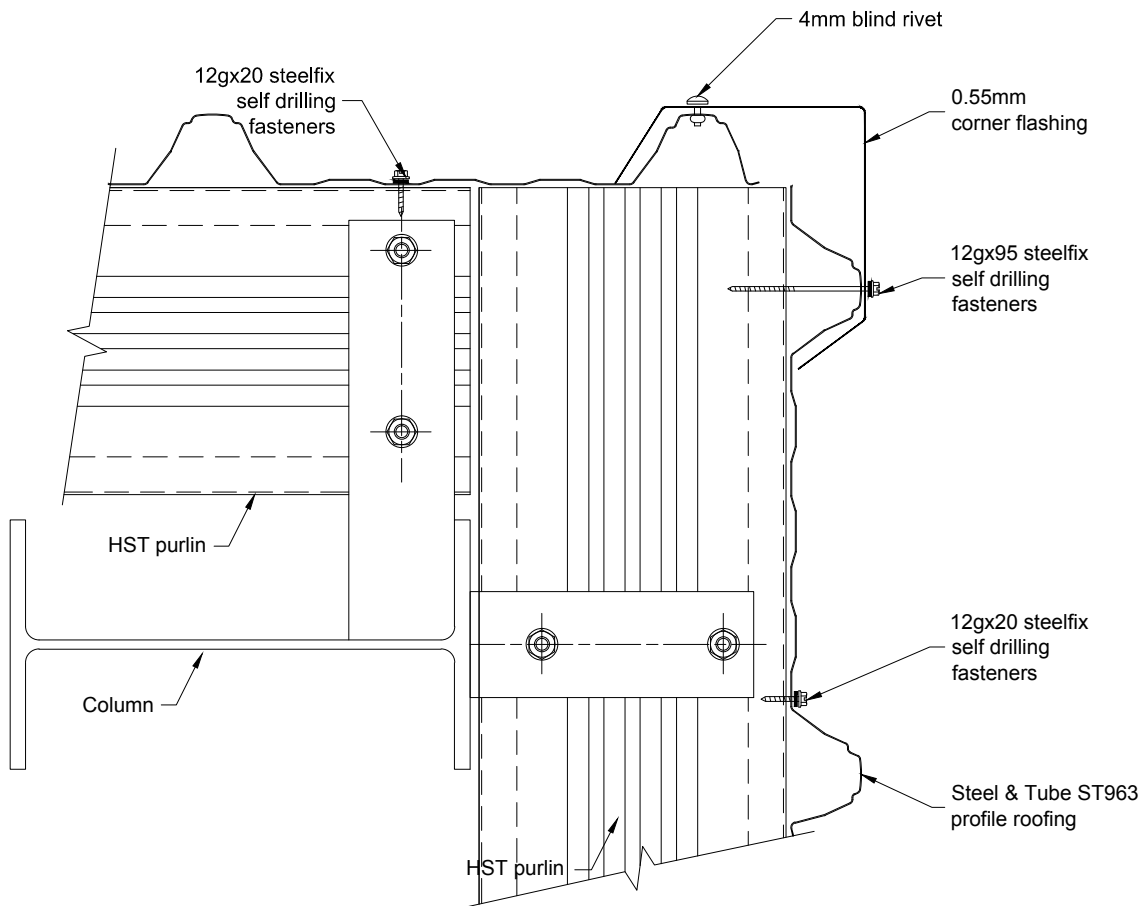
All dimensions in millimetres
Scale 1:5
03/04/12



comm_st963-cabl_entry

Cable Entry

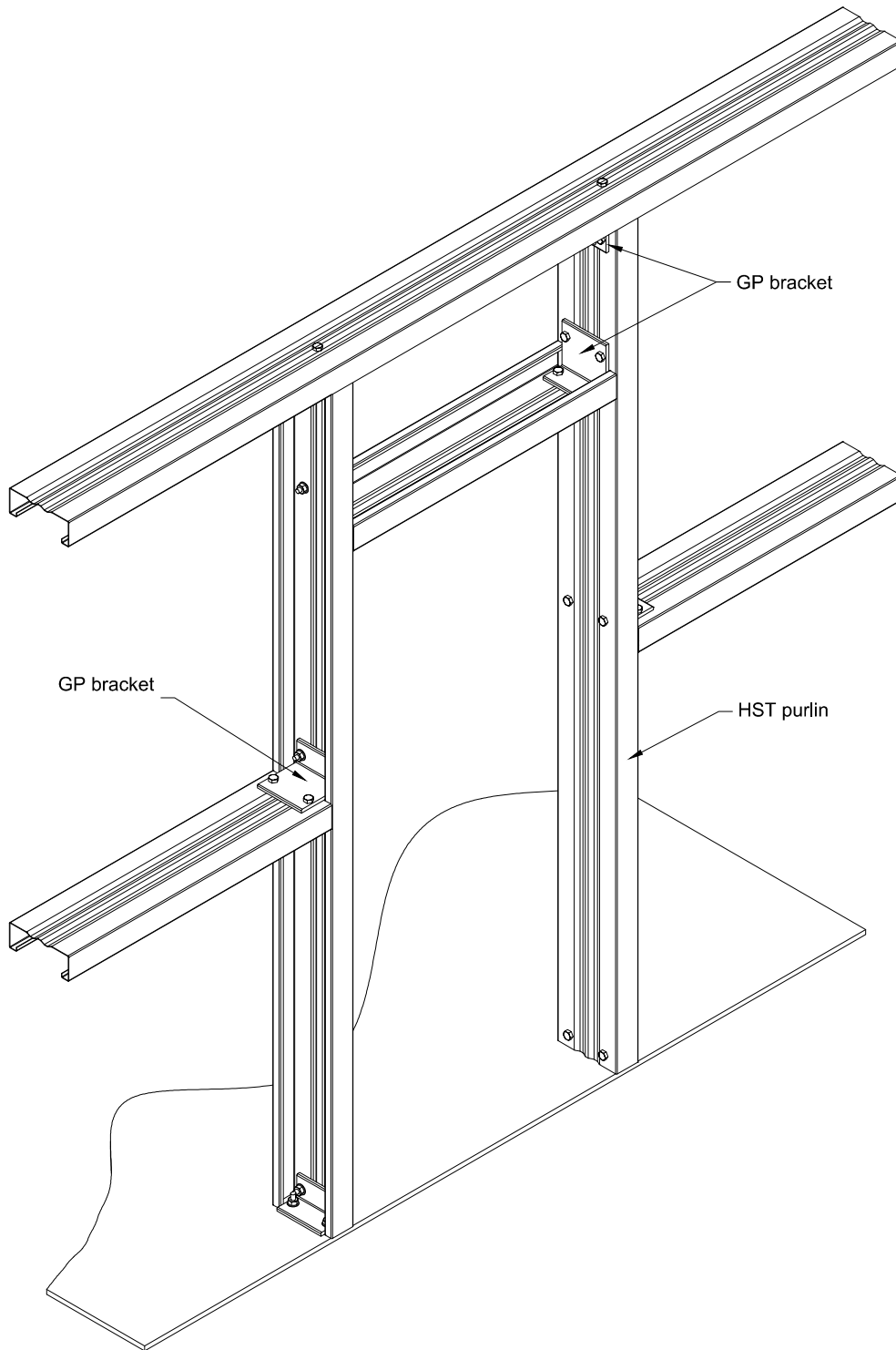
All dimensions in millimetres
Scale 1:10
03/04/12



comm_st963-corn_external

Wall Cladding-corner Flashing
Plan View

All dimensions in millimetres
Scale 1:5
03/04/12



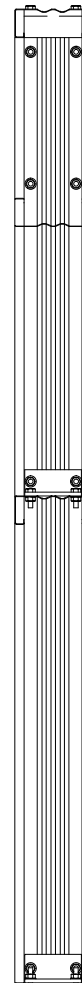
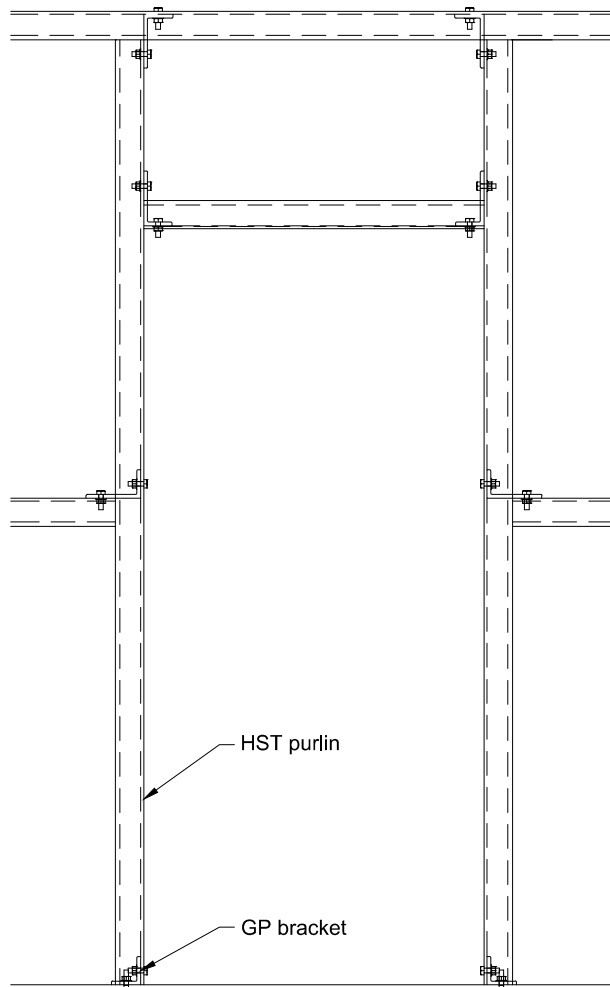
comm_st963-door_open_iso

Wall Cladding - Door Opening
Isometric View

All dimensions in millimetres
Scale 1:5
03/04/12

ELEVATION

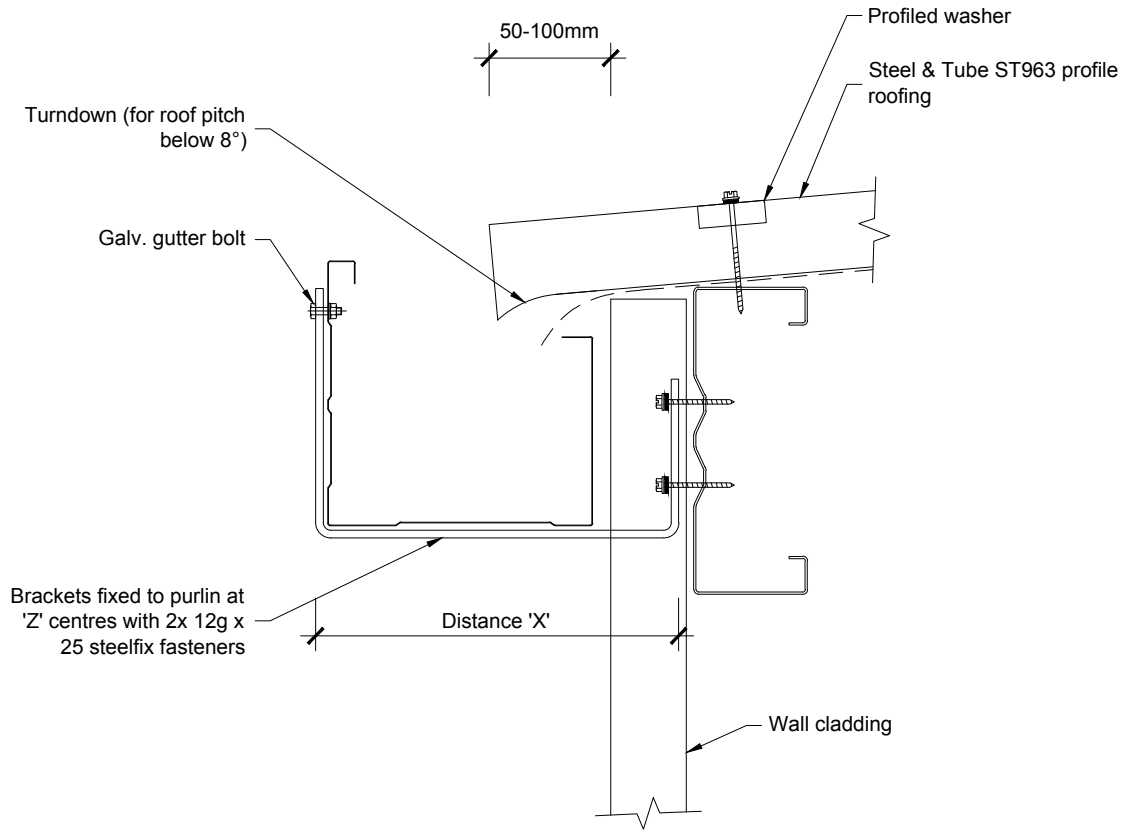
SIDE VIEW



comm_st963-door_open_ortho

Wall Cladding - Door Opening

All dimensions in millimetres
Scale 1:5
03/04/12

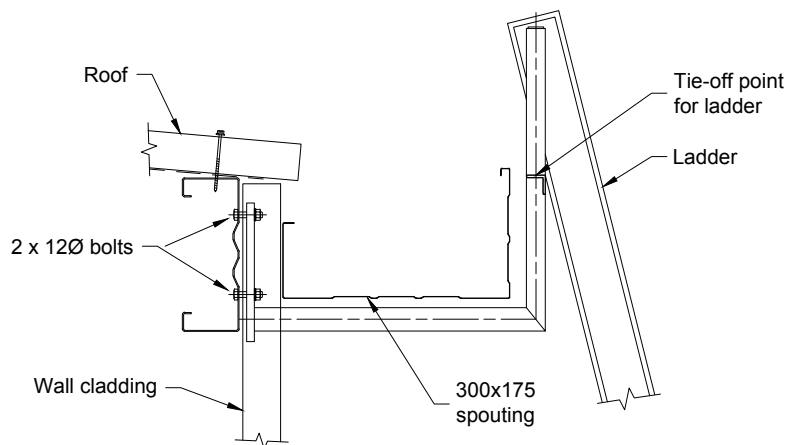
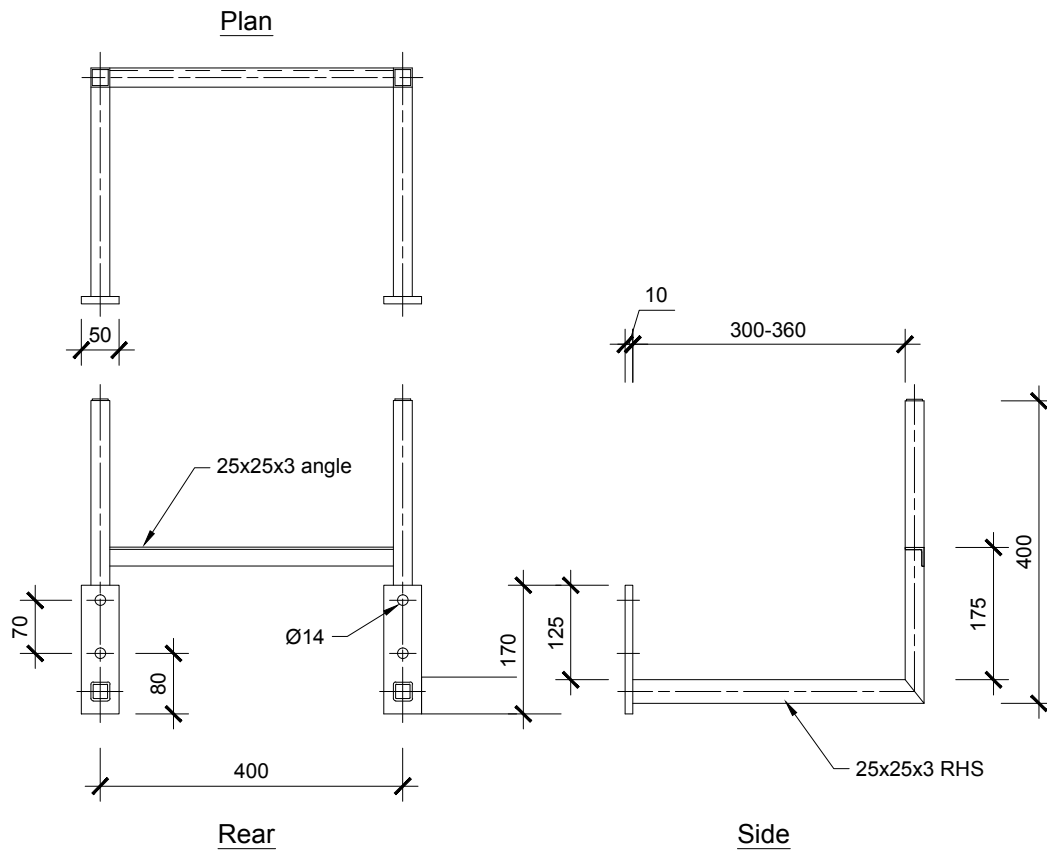


Roof Area Drained	Downpipe Size	Gutter Size	Cladding Depth	Dimension "X"	Bracket Size	"Z" Centres
150	Ø100 or 100x75	ST175	Flat	180	30x5	900
			Low (28mm)	210	30x5	
250	Ø150 or 125x100		Medium (38mm)	220	30x5	
			High (55mm)	235	30x5	
350	Ø150 or 150x100	ST300	Flat	305	40x5	600
			Low (28mm)	335	40x5	
400	Ø200 or 200x100		Medium (38mm)	345	40x5	
			High (55mm)	360	40x5	

comm_st963-gutter

Gutter Detail
Cross Section

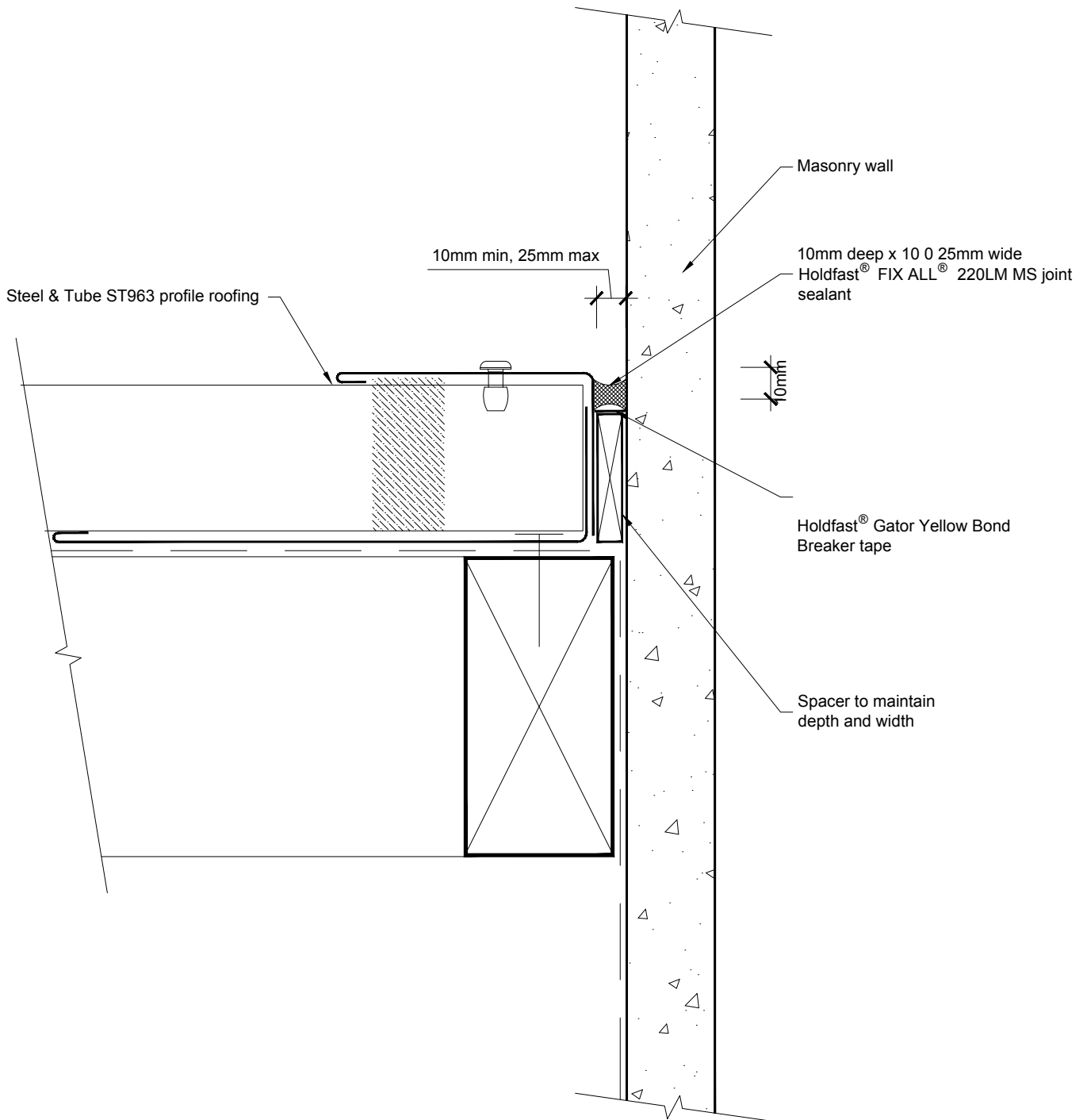
All dimensions in millimetres
Scale 1:5
03/04/12



comm_st963-gutt_ladder_bracket

Ladder Gutter Bracket (position At Point Of Access To Roof)

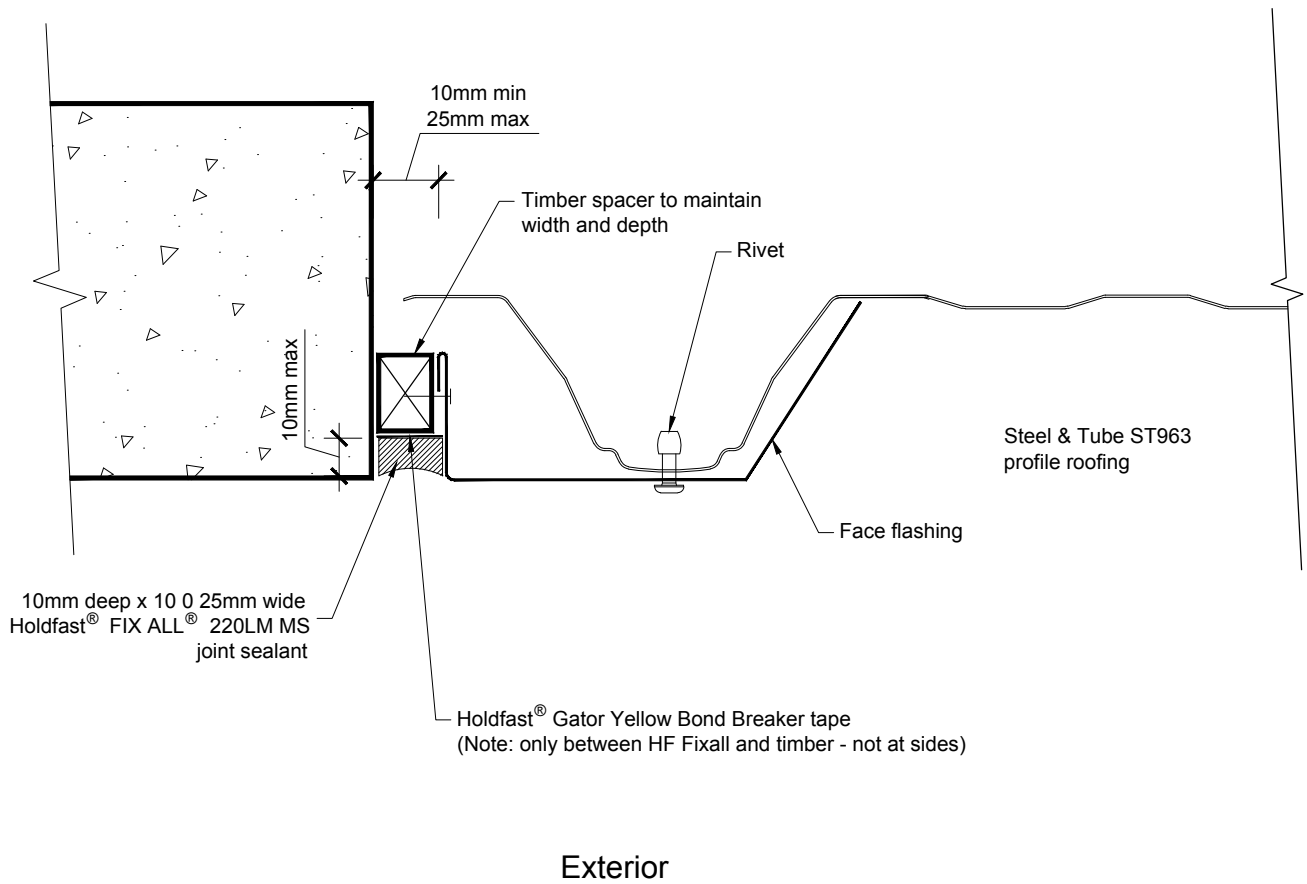
All dimensions in millimetres
Scale 1:10
03/04/12



comm_st963-jctn_hori-clad_wall

Junction Between Horizontal Metal Cladding and Masonry Wall

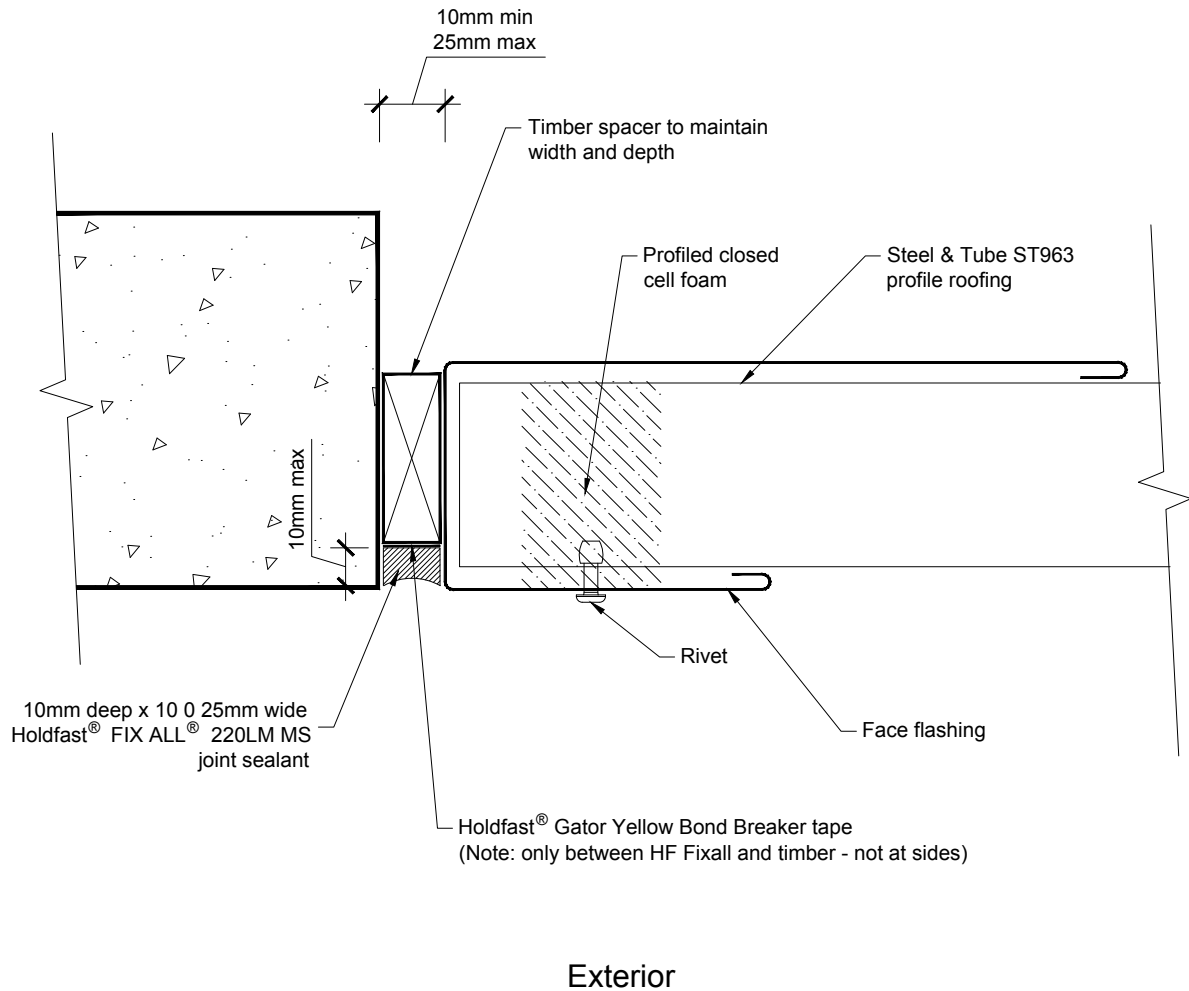
All dimensions in millimetres
Scale 1:2
03/04/12



comm_st963-jctn_tilt_wall_2

Tilt Panel / Wall Junction
Vertical Cladding Cross Section

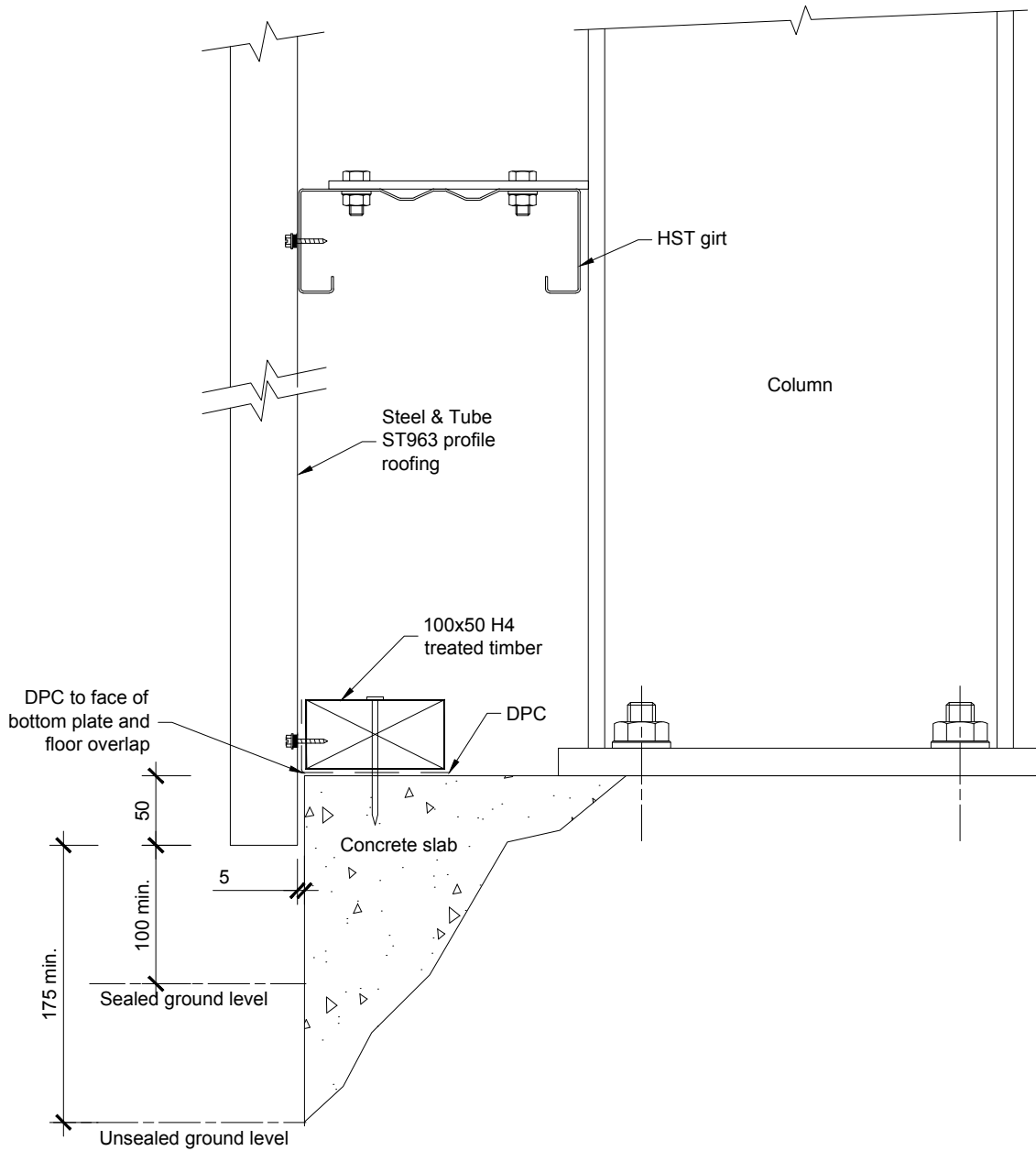
All dimensions in millimetres
Scale 1:2
03/04/12



comm_st963-jctn_tilt_wall-hori

Tilt Panel / Wall Junction
Horizontal Cladding Cross Section

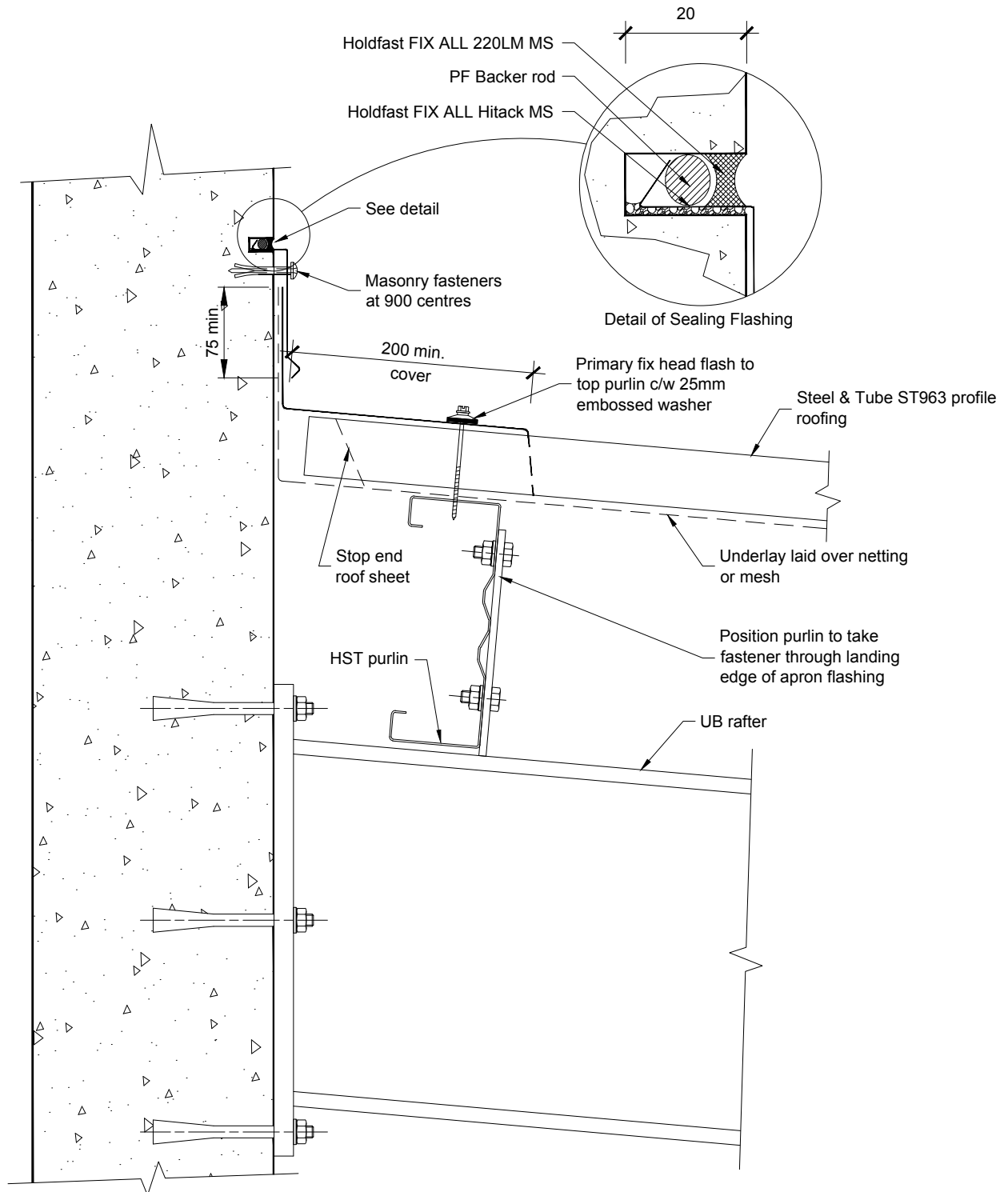
All dimensions in millimetres
Scale 1:2
03/04/12



comm_st963-jctn_wall_floor

Wall Cladding - Floor Junction
Cross Section

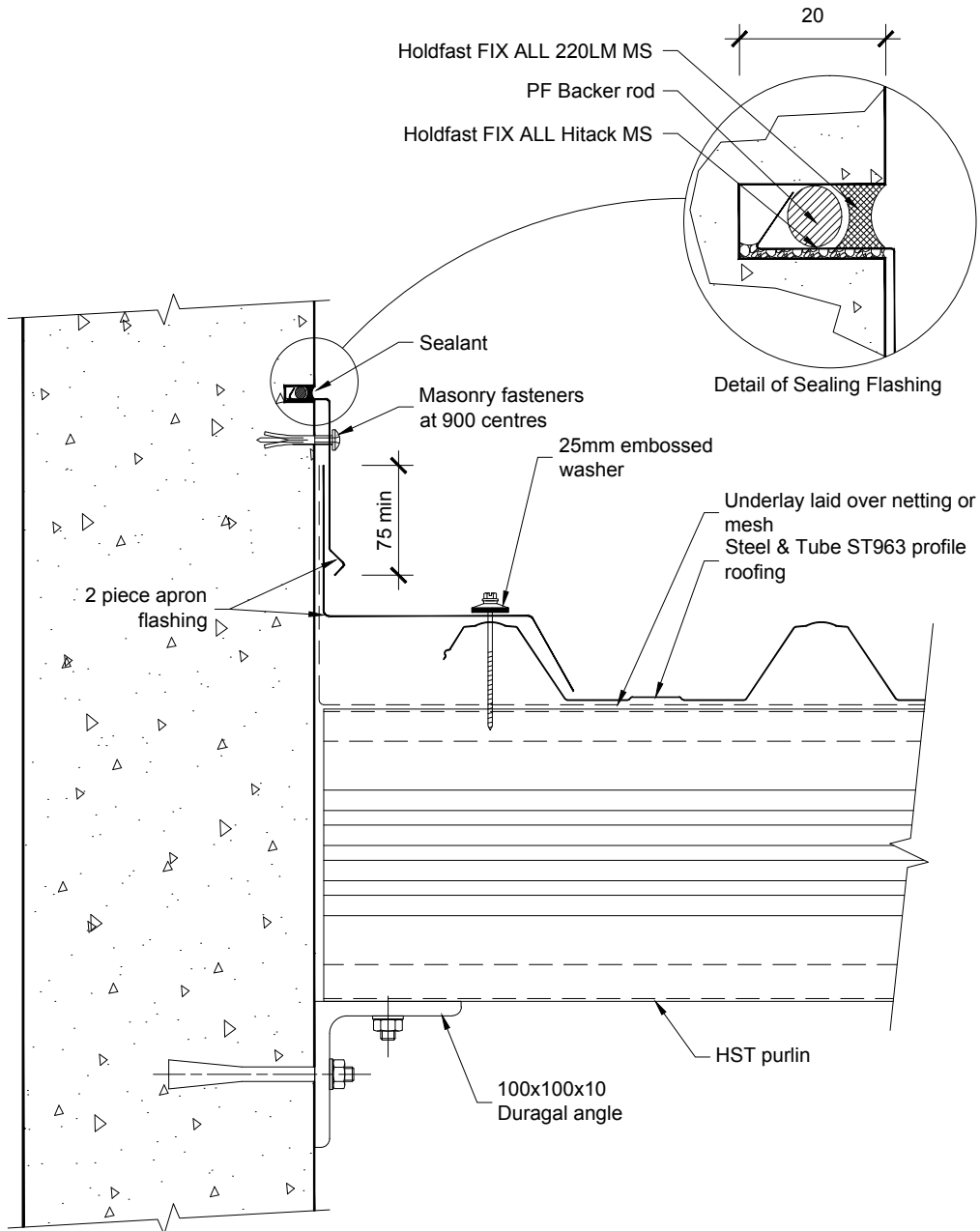
All dimensions in millimetres
Scale 1:5
03/04/12



comm_st963-para_chased_head_flash

Chased Parapet Head Flashing
Cross Section

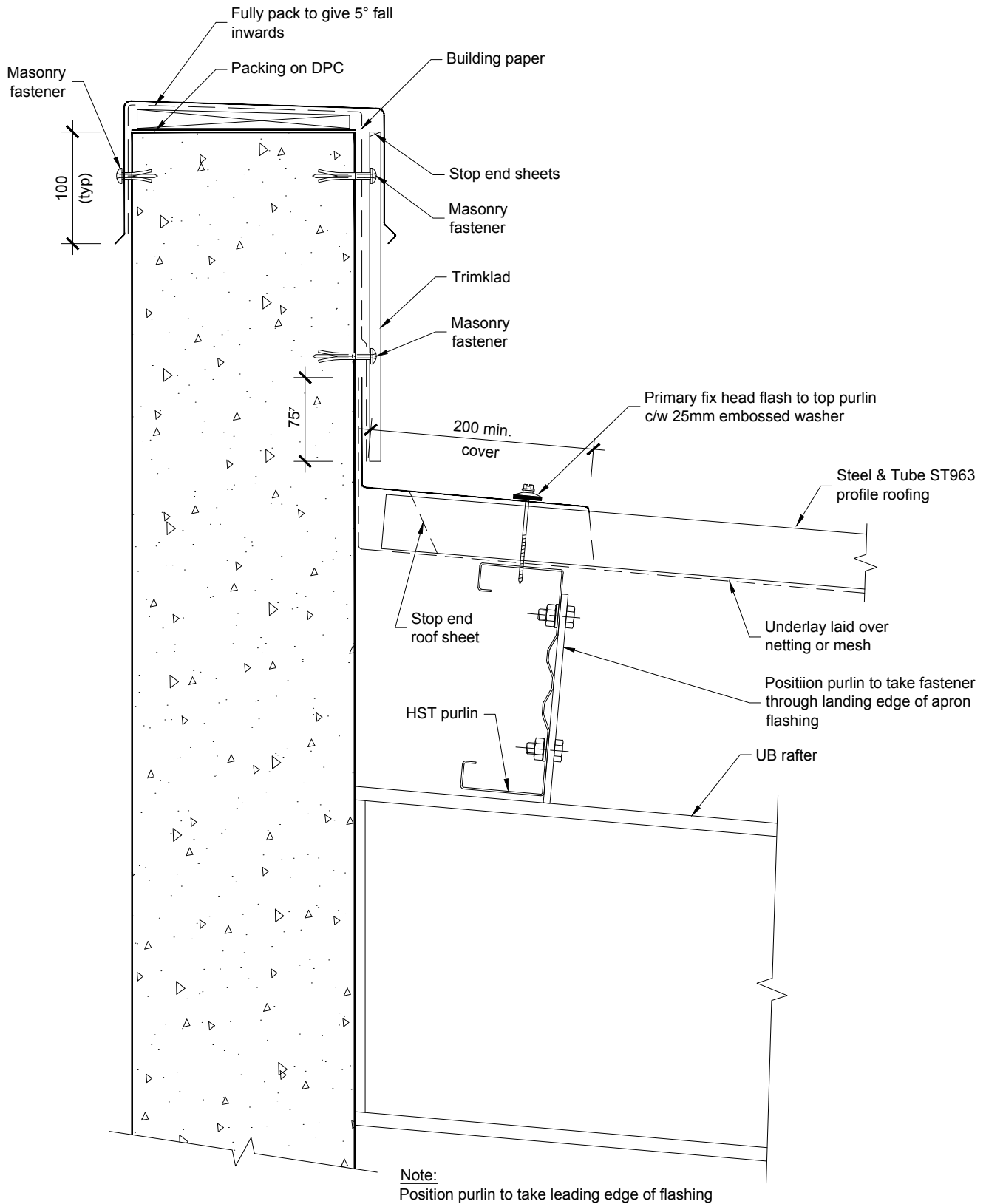
All dimensions in millimetres
Scale 1:5
03/04/12



comm_st963-para_chased_side

Chased Parapet Side Flashing
Cross Section

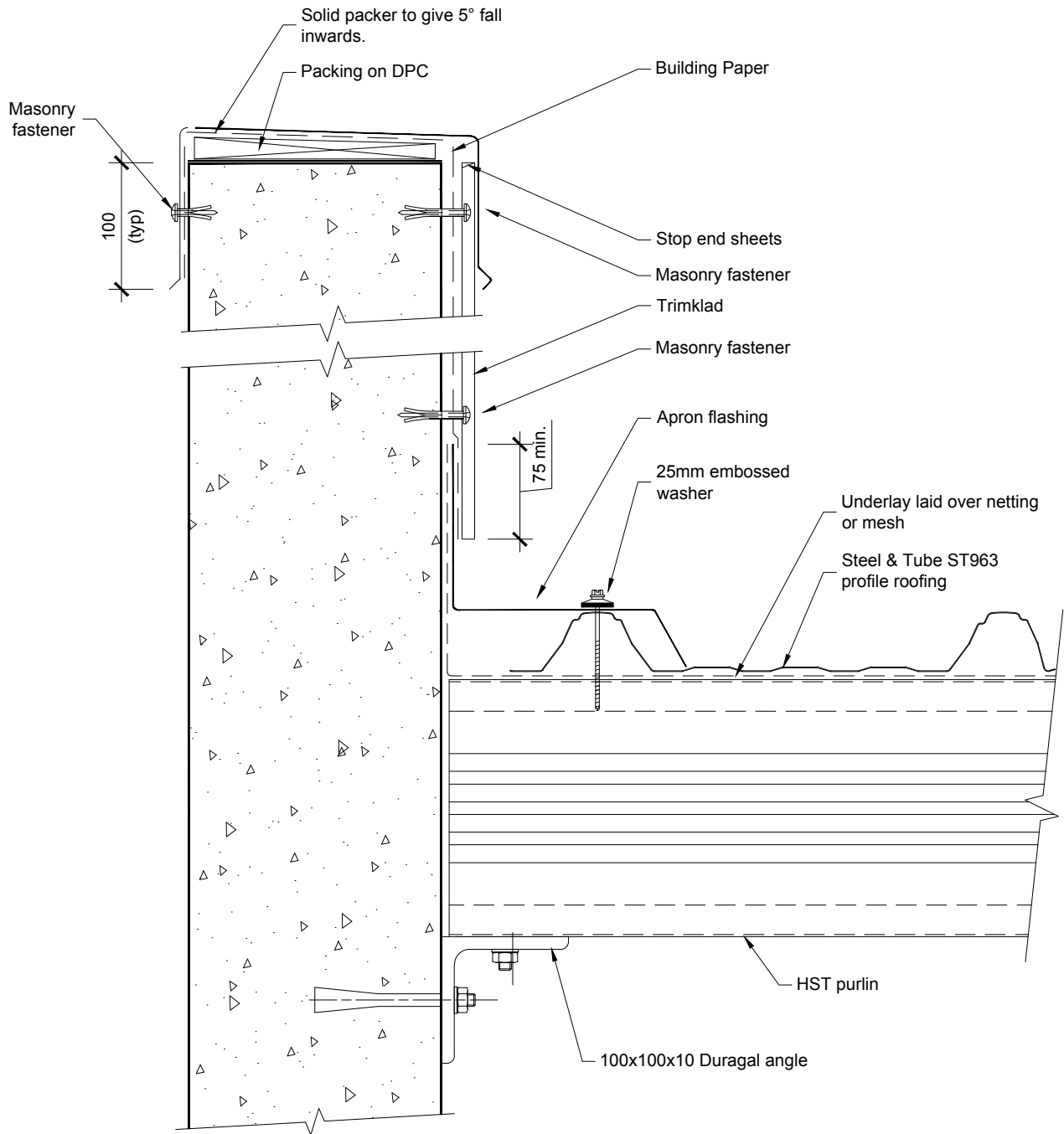
All dimensions in millimetres
Scale 1:5
03/04/12



comm_st963-para_lined_head_flash

Lined Parapet Head Flashing
Cross Section

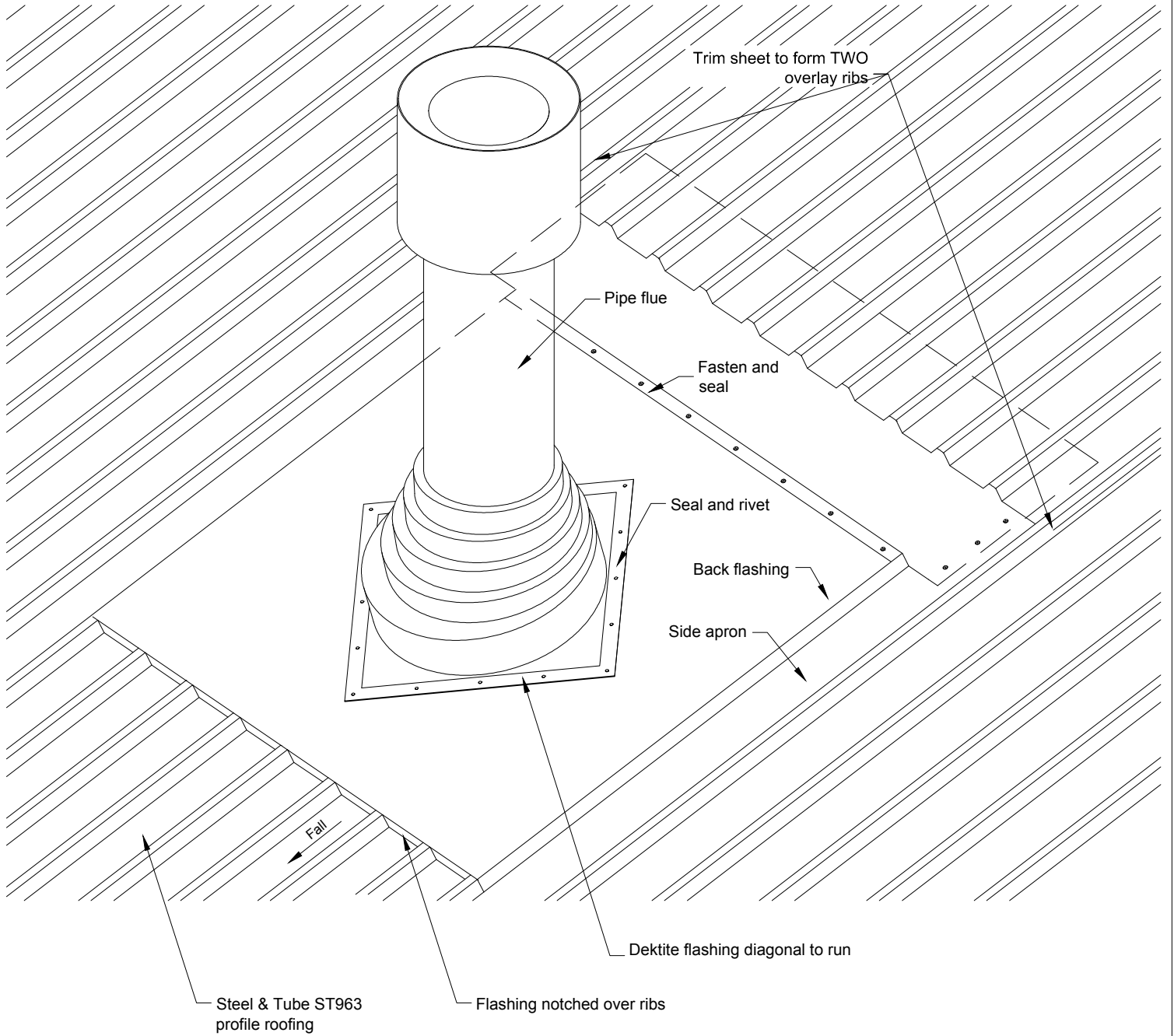
All dimensions in millimetres
Scale 1:5
03/05/12



comm_st963-para_lined_side_flash

Lined Parapet Side Flashing
Cross Section

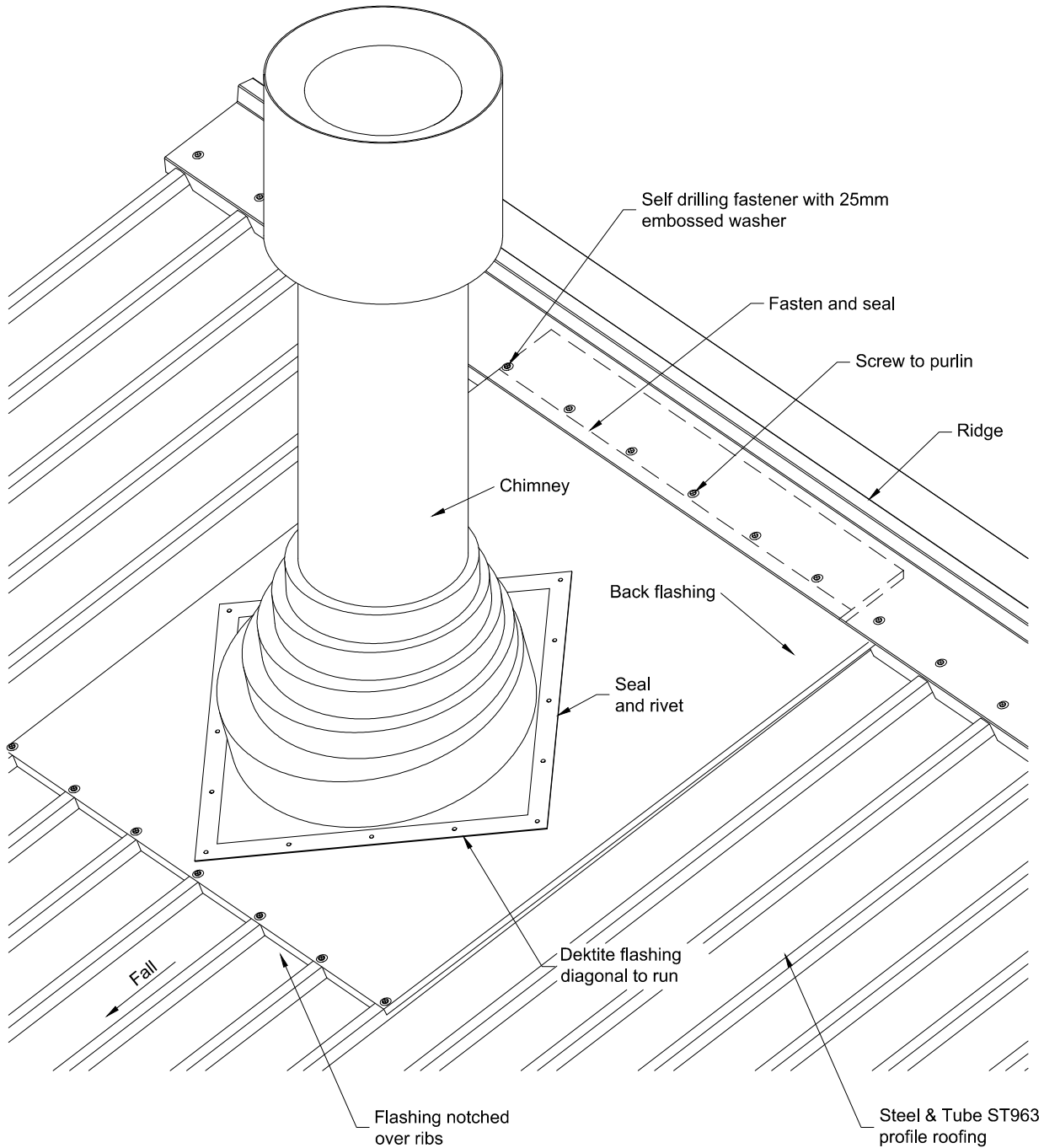
All dimensions in millimetres
Scale 1:5
03/04/12



comm_st963-pene_round_mid

Penetration Flashing - Round Flue

All dimensions in millimetres
Scale 1:12
03/04/12



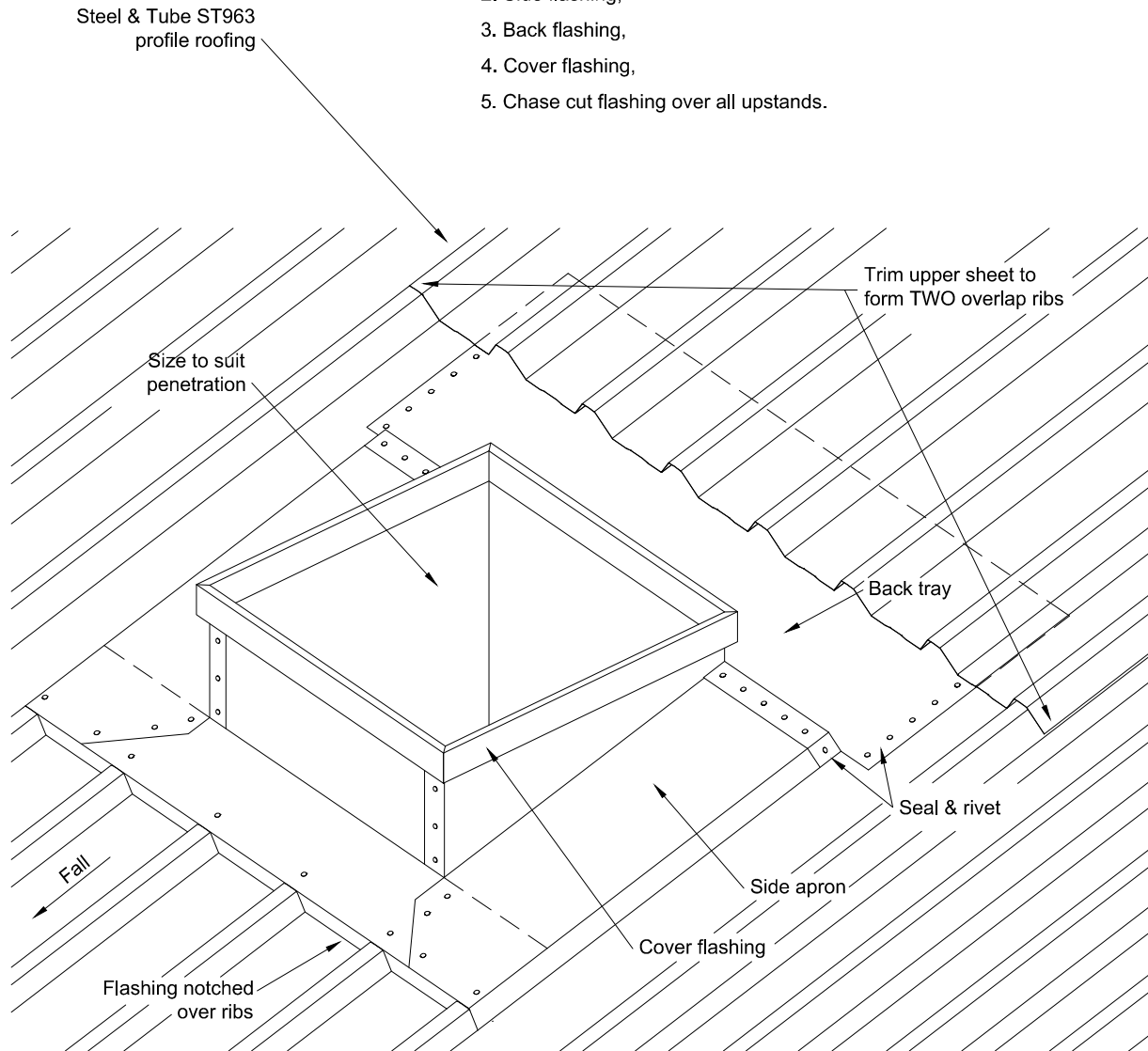
comm_st963-pene_round_ridge

Penetration Flashing - Round Flue

All dimensions in millimetres
Scale 1:10
03/04/12

Laying Sequence:

1. Notched apron,
2. Side flashing,
3. Back flashing,
4. Cover flashing,
5. Chase cut flashing over all upstands.



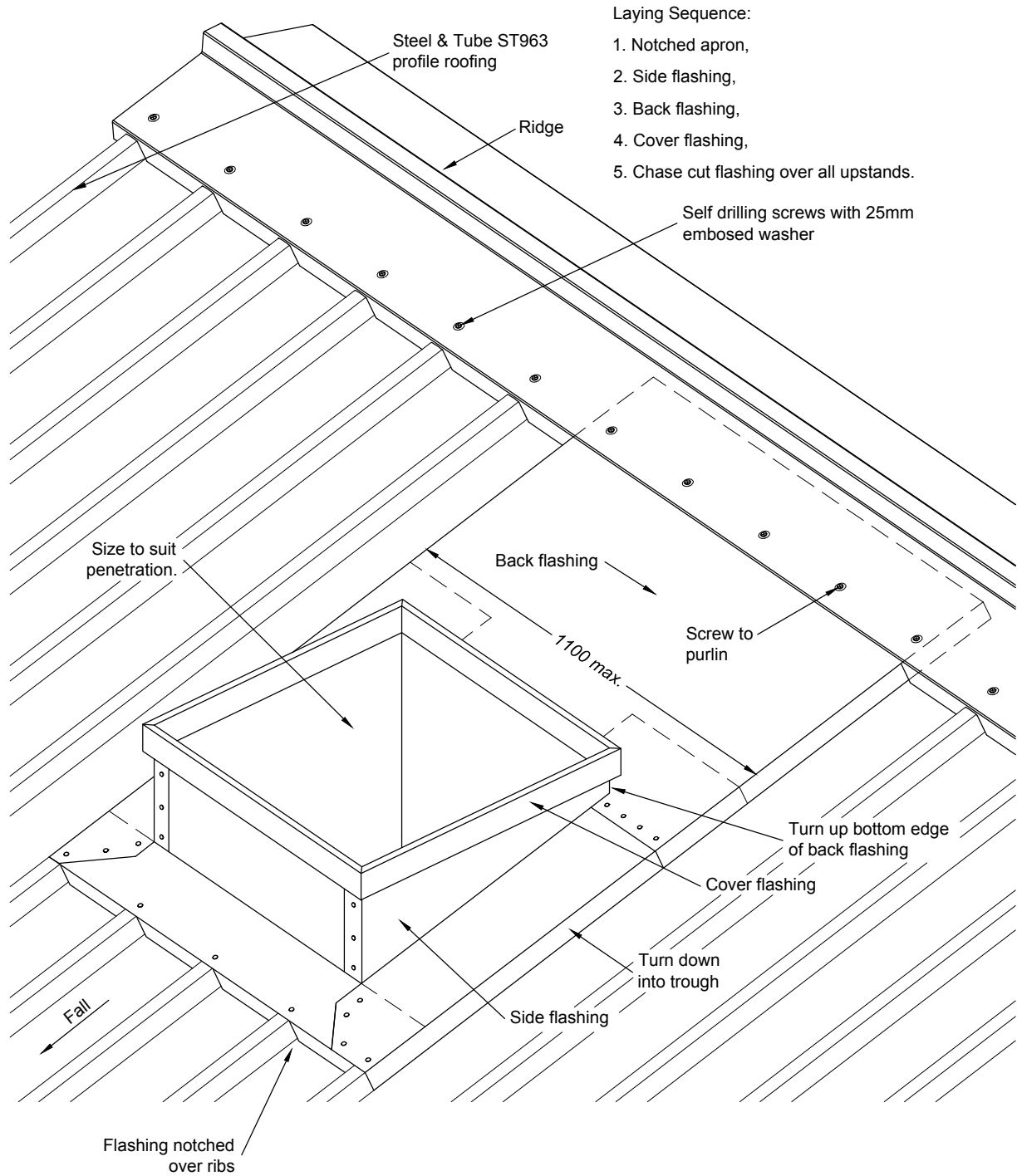
Note:

Use back flashing to ridge where possible.

comm_st963-pene_square_mid

Penetration Flashing

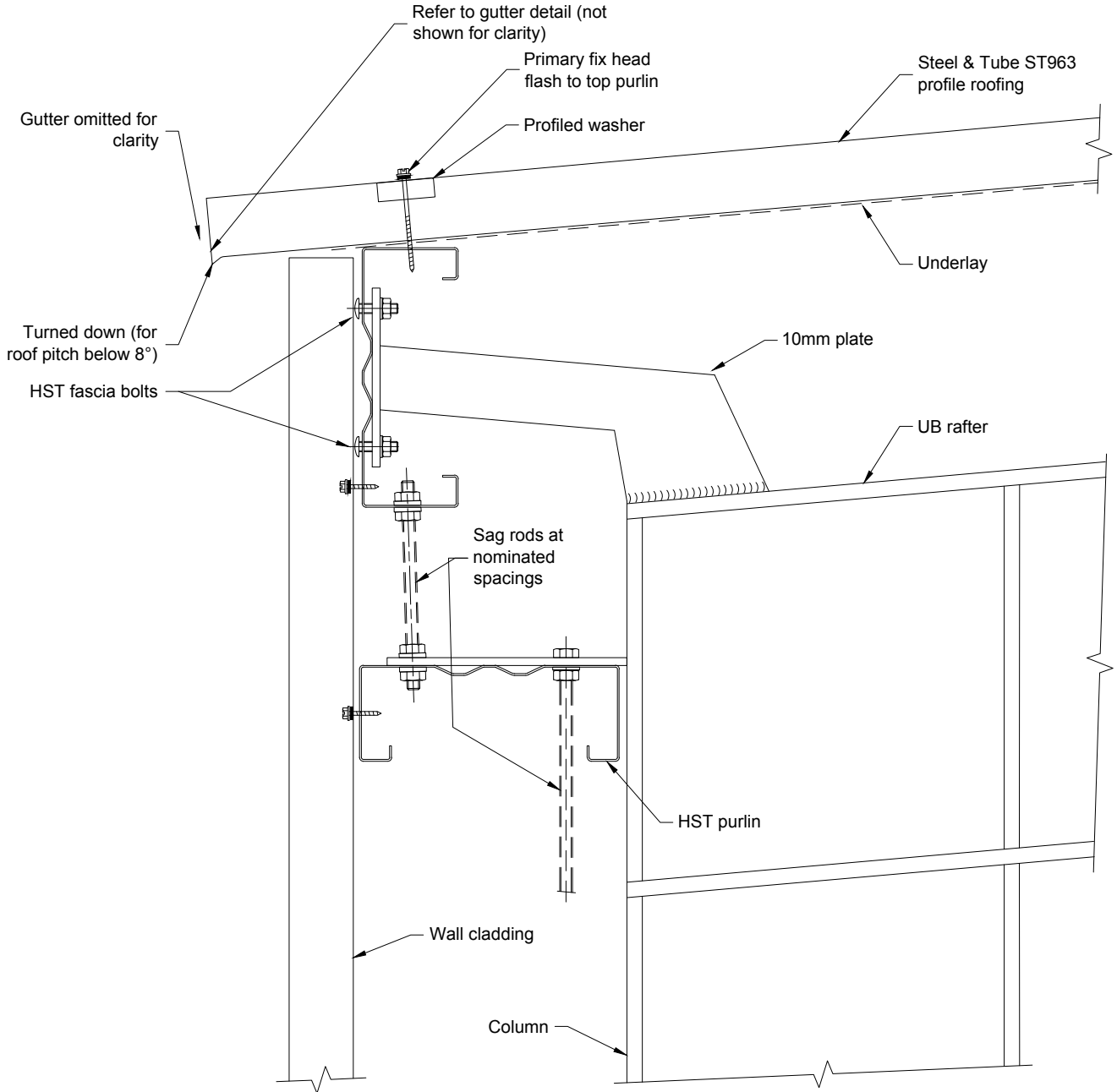
All dimensions in millimetres
Scale 1:10
03/04/12



comm_st963-pene_square_ridge

Penetration Flashing - Back Flashed

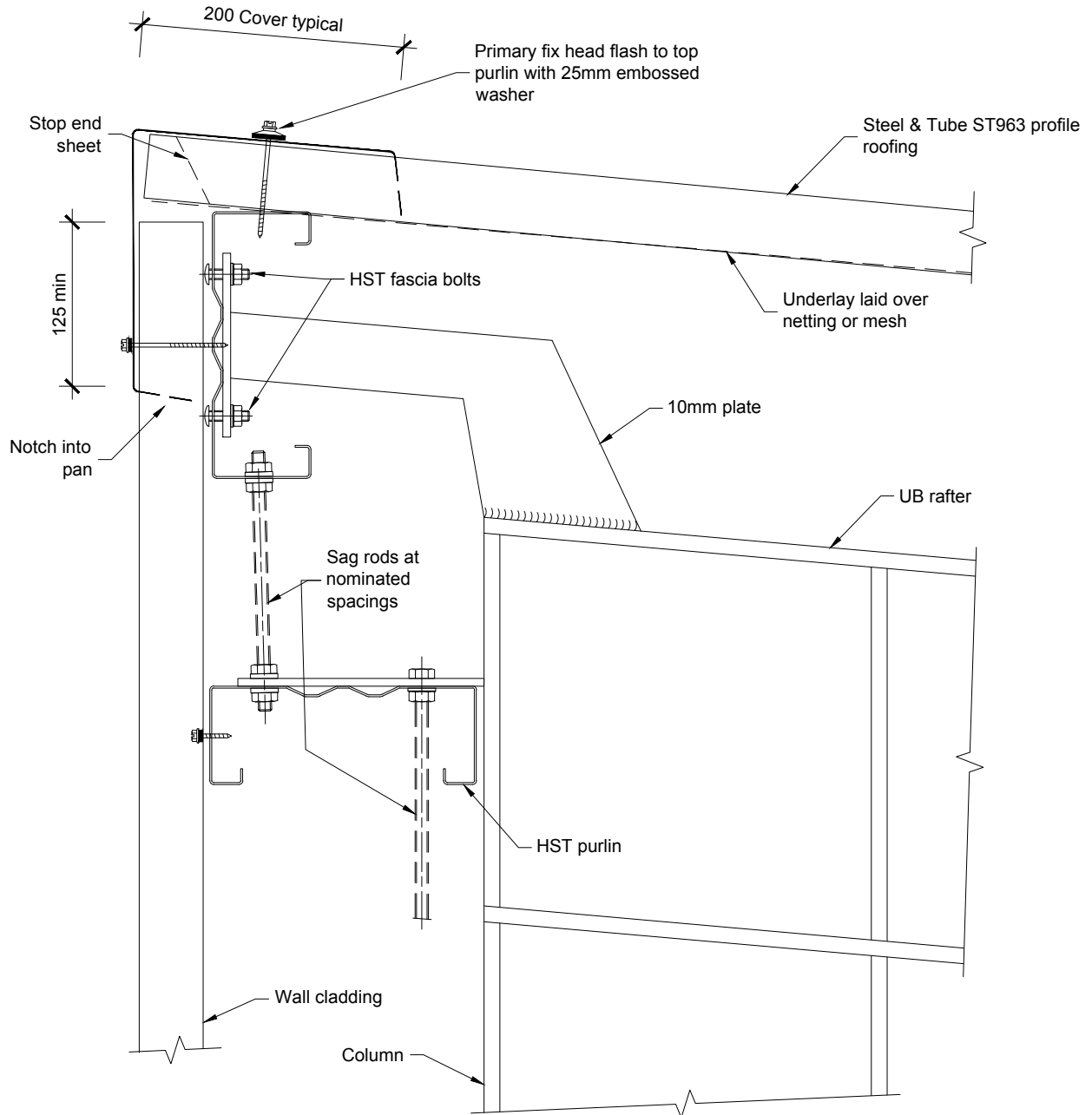
All dimensions in millimetres
 Scale 1:10
 03/04/12



comm_st963-port_eaves

Eaves Detail Girt Outside Portal Leg, Offset Cleat
Cross Section

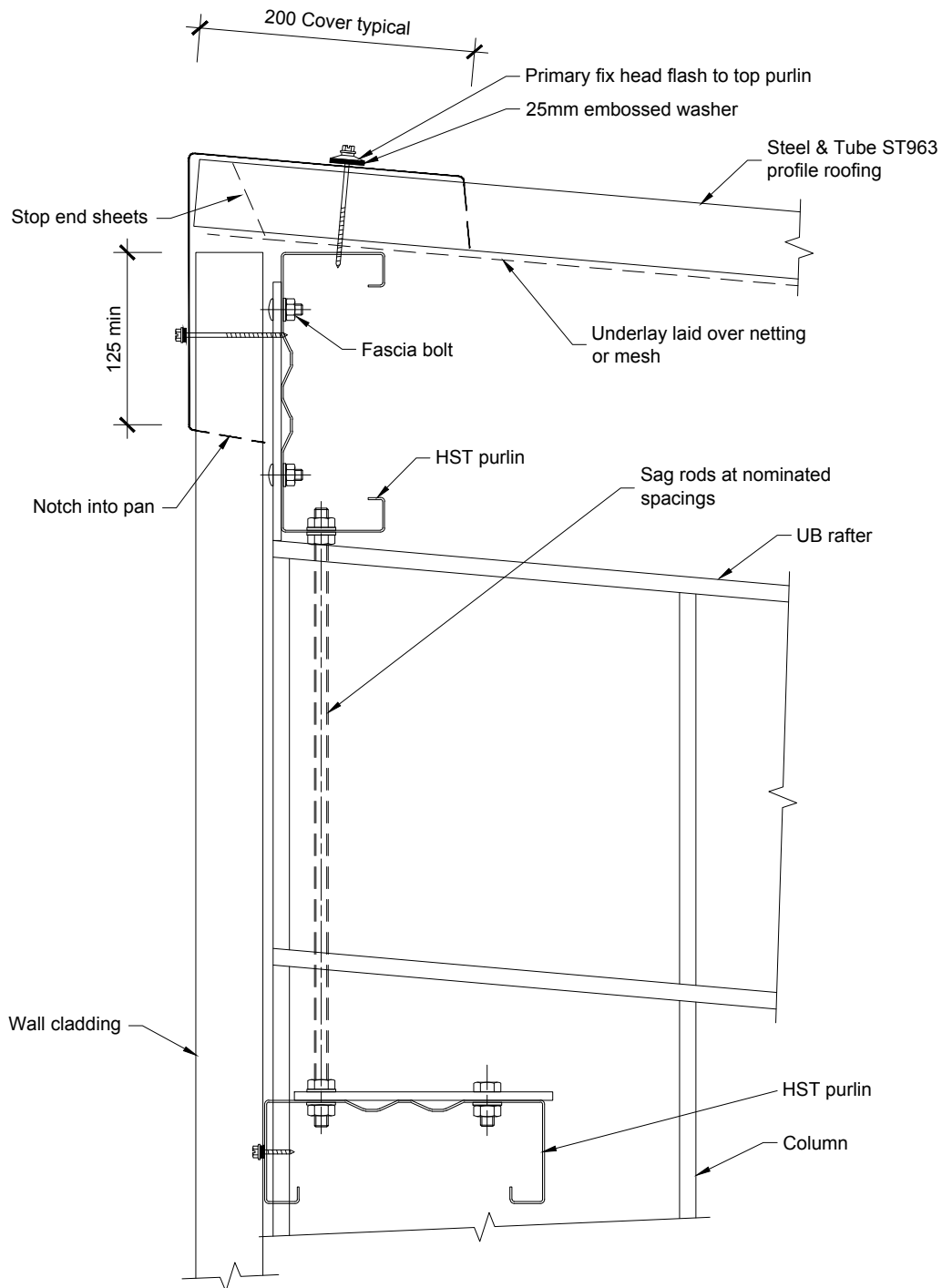
All dimensions in millimetres
Scale 1:5
03/04/12



comm_st963-port_head_flash_cleat

Head Flash Girt Outside Portal Leg, Offset Cleat
Cross Section

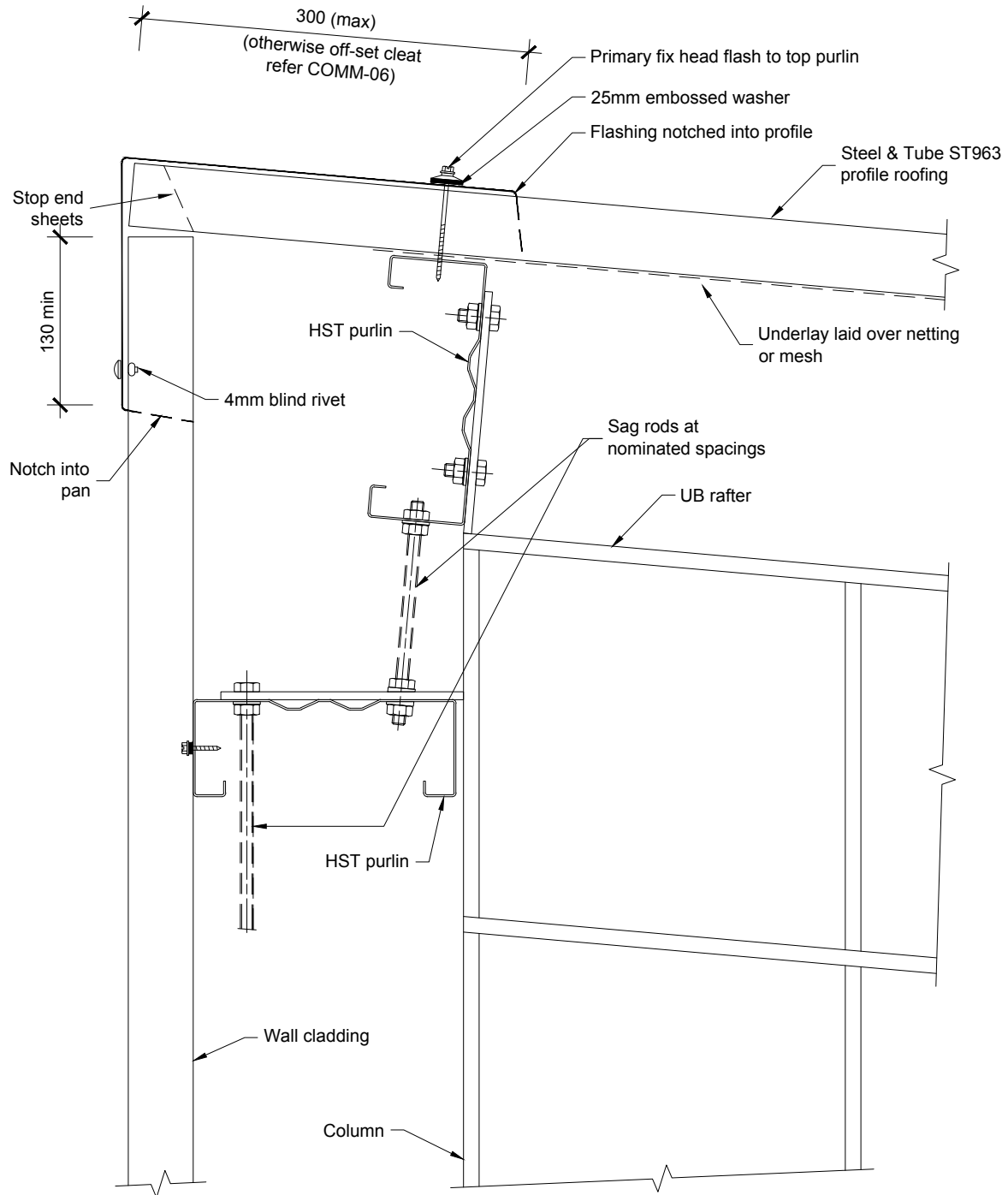
All dimensions in millimetres
Scale 1:5
03/04/12



comm_st963-port_head_flash_girt

Head Flash Girts In Between Columns
Cross Section

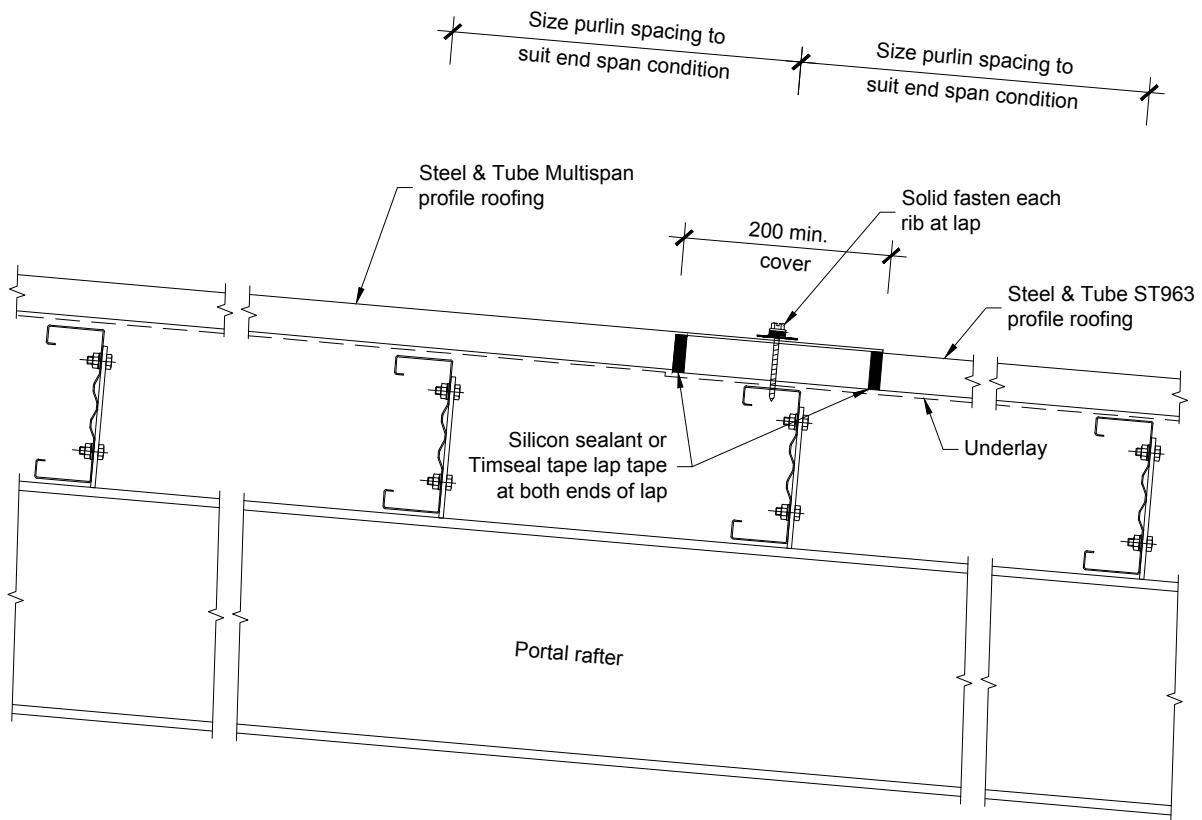
All dimensions in millimetres
Scale 1:5
03/04/12



comm_st963-port_head_flash

Head Flash Girt Outside Portal Leg
Cross Section

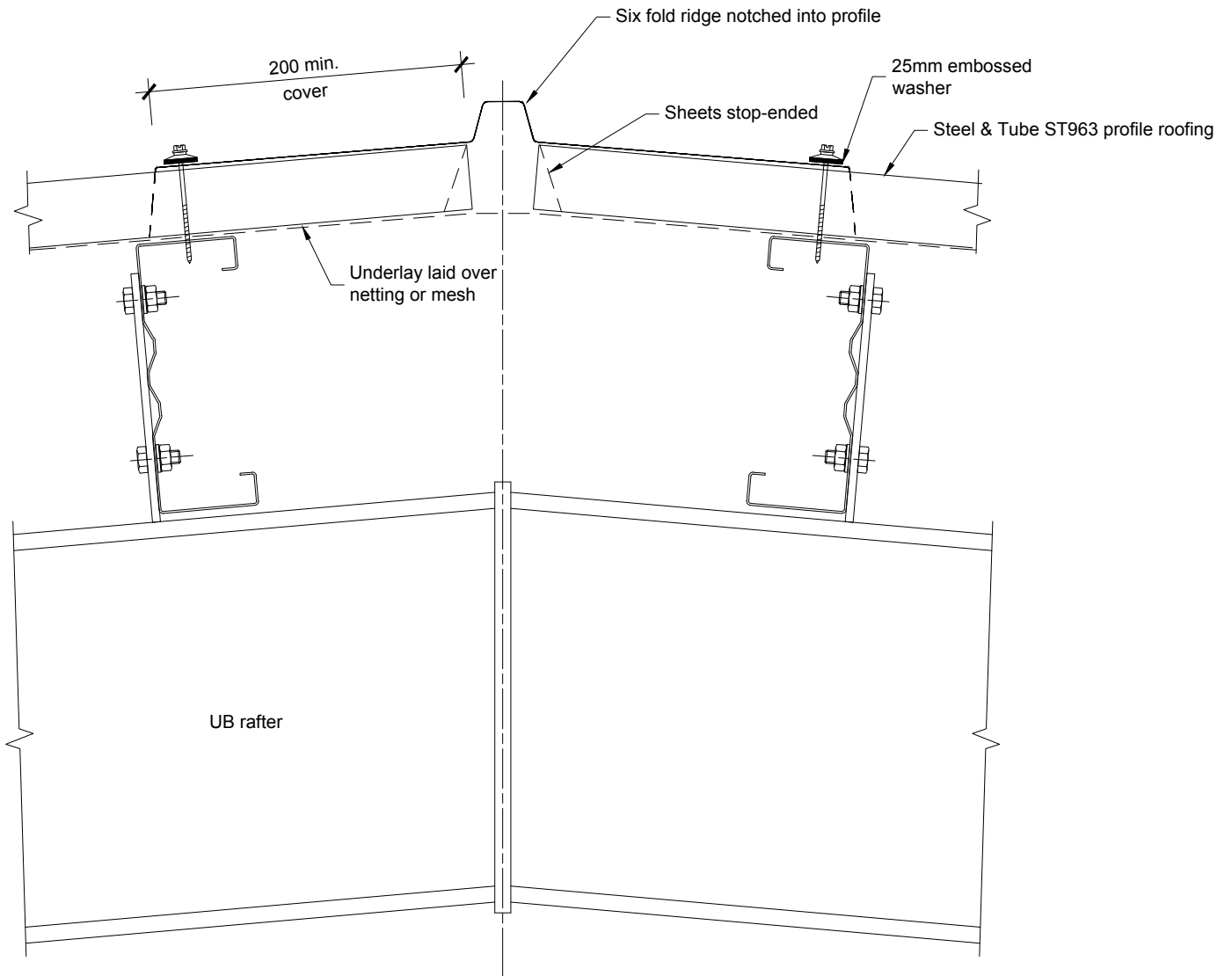
All dimensions in millimetres
Scale 1:5
03/04/12



comm_st963-port_raft_end_lap

End Lap Detail
Cross Section

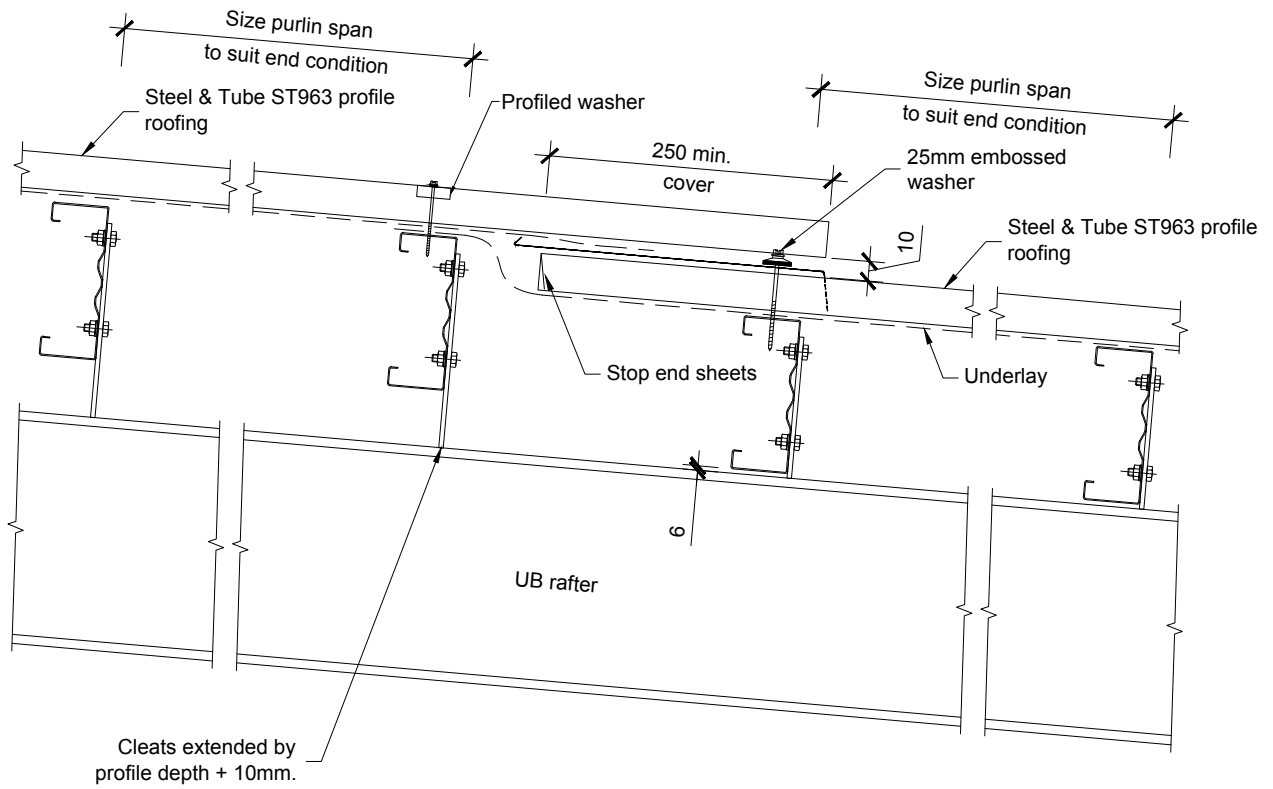
All dimensions in millimetres
Scale 1:10
03/04/12



comm_st963-port_ridge

Ridge Apex
Cross Section

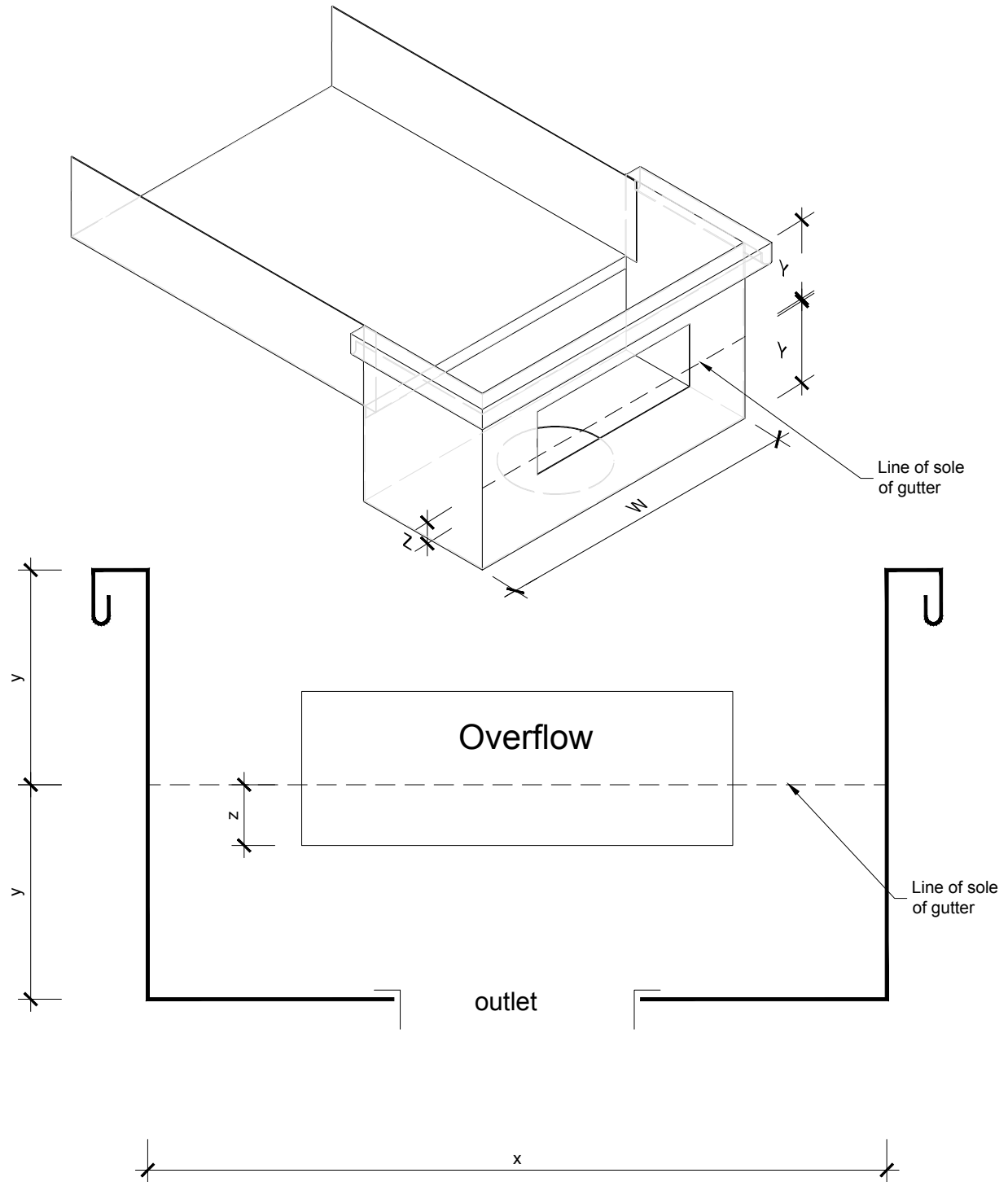
All dimensions in millimetres
Scale 1:5
03/04/12



comm_st963-purl_step_flash

Step Flashing Extended Purlin Cleats
Cross Section

All dimensions in millimetres
Scale 1:10
03/04/12

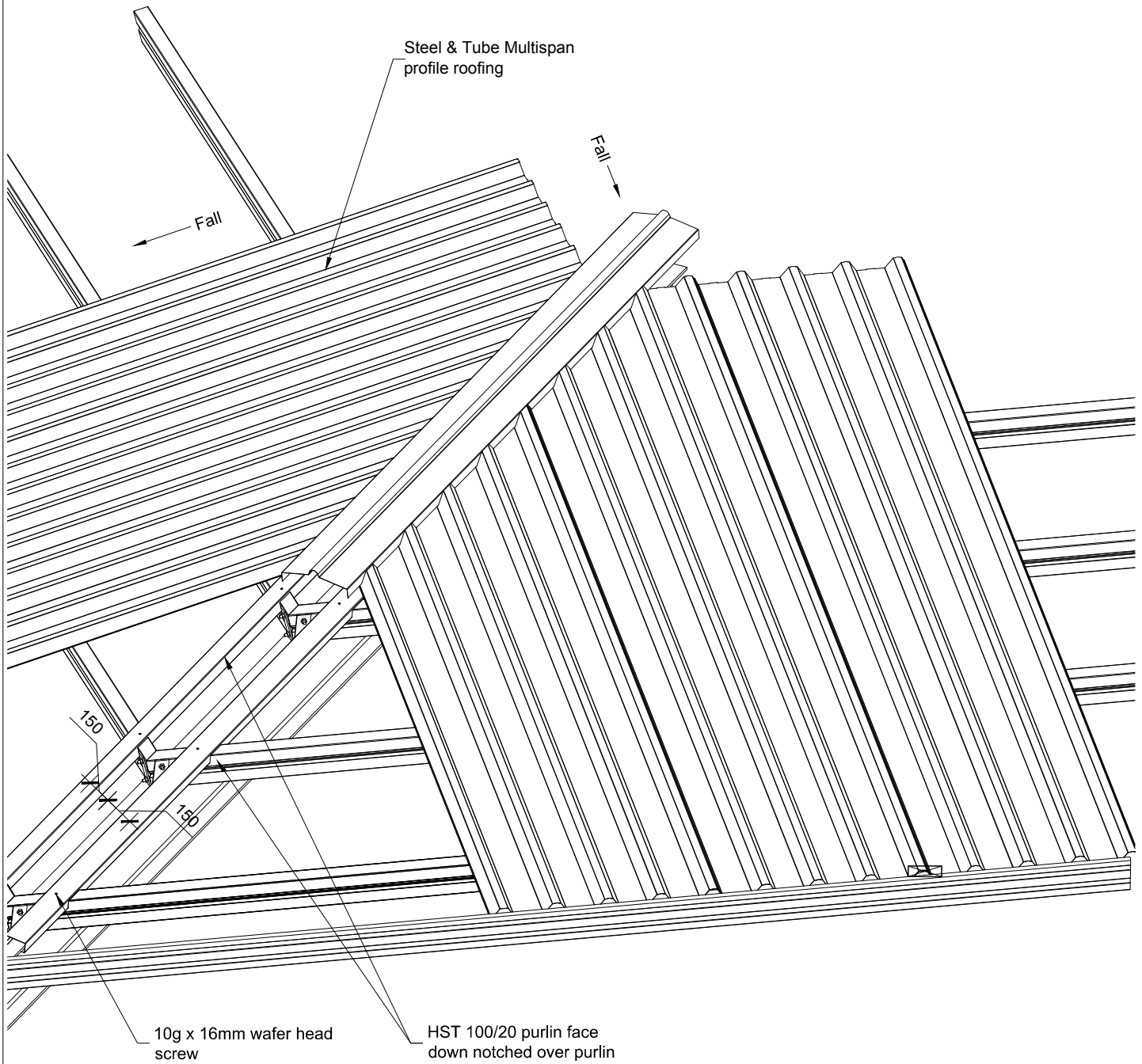


Dimension y equal to Depth of gutter at outflow
 Dimension x equal to width of gutter plus 3mm
 Dimension z greater than or equal to 25mm
 Cross-section area of overflow greater than or equal to Cross-section area of outlet

comm_st963-rain_head

Rainwater Head Dimensions

All dimensions in millimetres
 Scale 1:2
 03/04/12



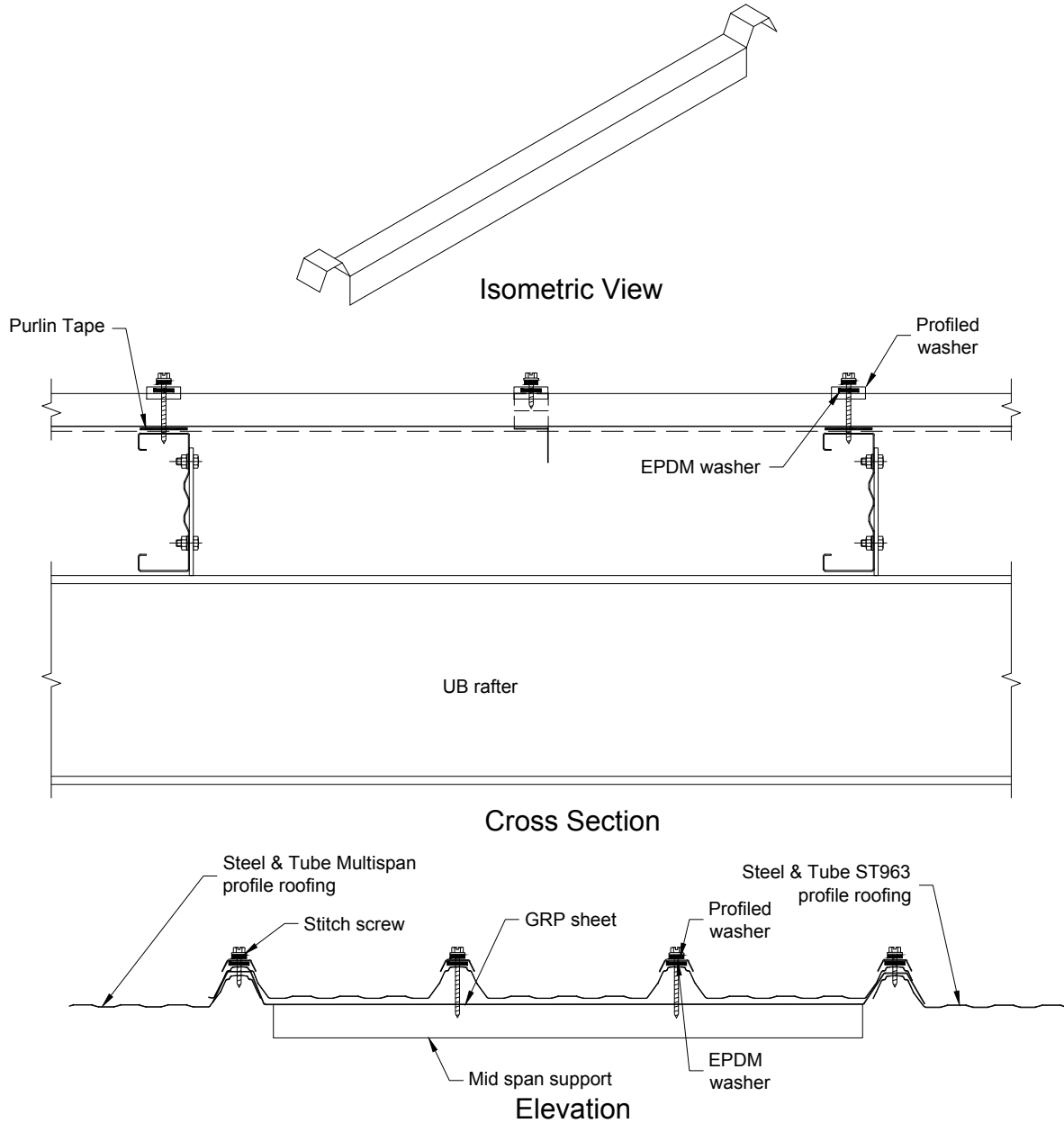
NOTES:

1. Netting and underlay omitted for clarity
2. Stopend top edge of sheet

comm_st963-roof_hip_raft_purl

Hip Rafter Purlin
Isometric View

All dimensions in millimetres
Scale 1:25
03/04/12



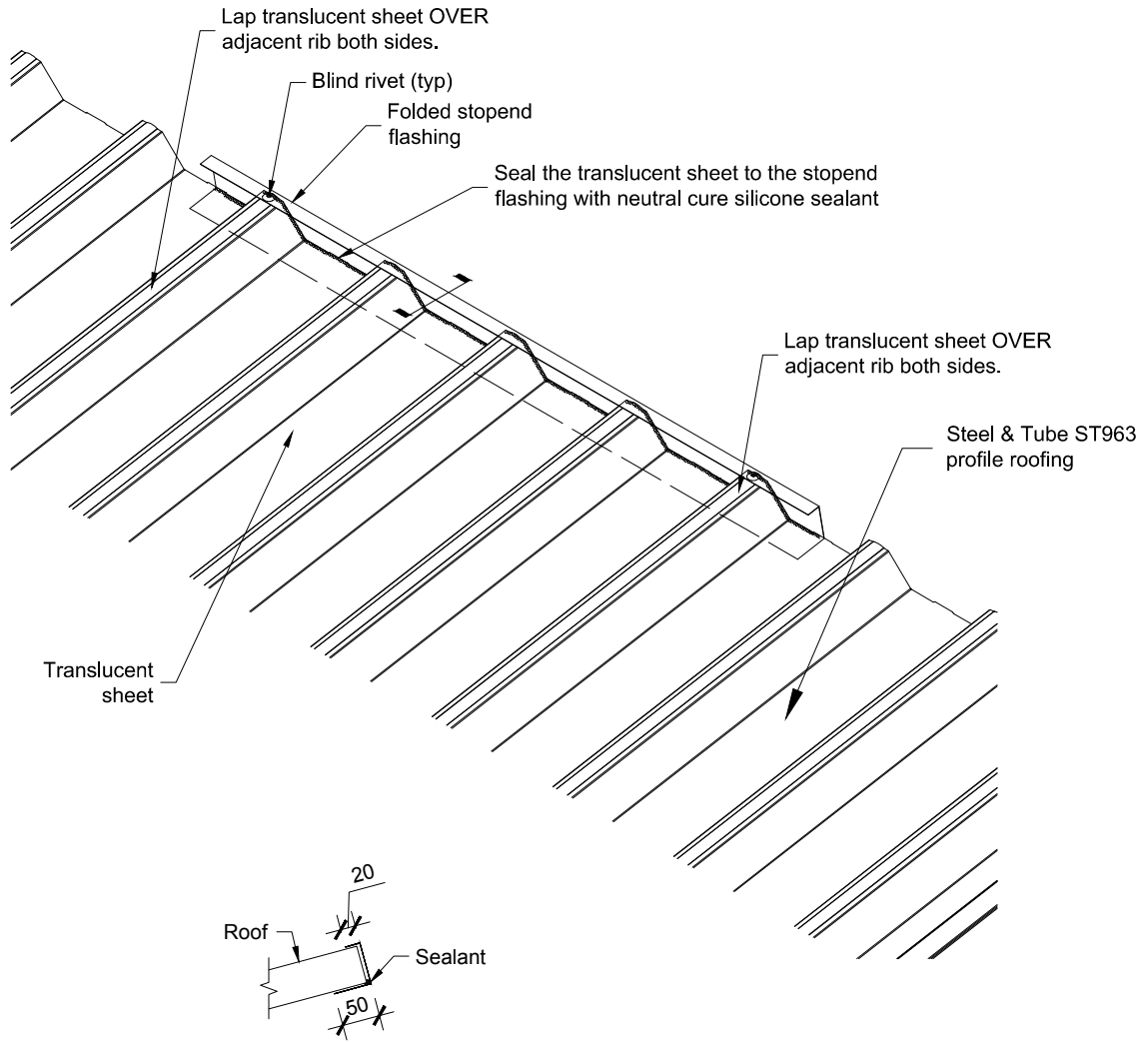
Profile	Sheet Weight gr/m ²	Maximum Span
Low Rib	1800	1200
Medium Rib	2200	1700
High Rib	2200	2100

Use mid span support when spans exceed maximum span, or specify heavier weight GRP sheet.

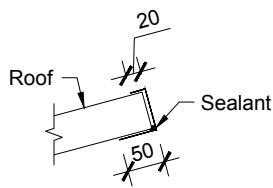
comm_st963-tran_sht_midspan

Translucent Sheet Mid Span Support

All dimensions in millimetres
Scale 1:10
03/04/12



CROSS SECTION



comm_st963-tran_sht_stopend

Translucent Sheet Stop-end
Isometric View

All dimensions in millimetres
Scale 1:10
03/04/12