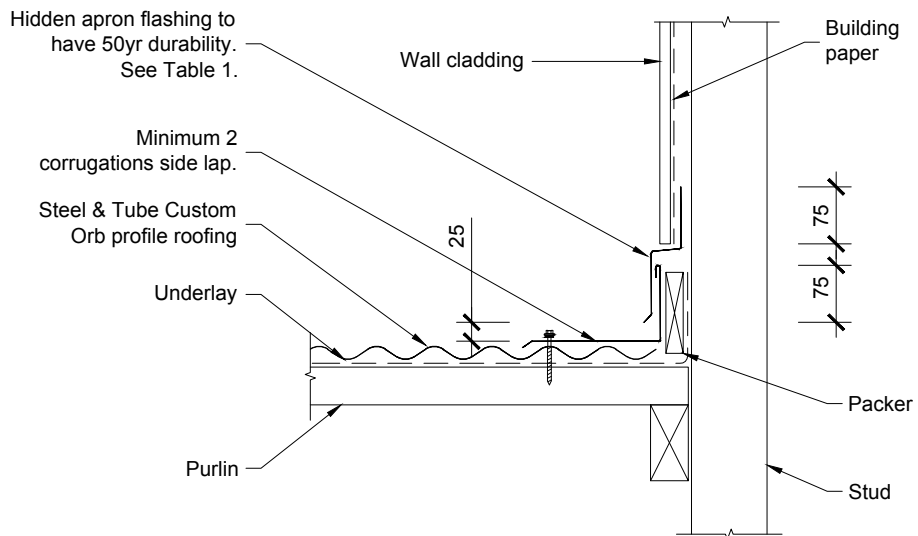


LOW / MEDIUM / HIGH WIND ZONES WHERE PITCH $\geq 10^\circ$

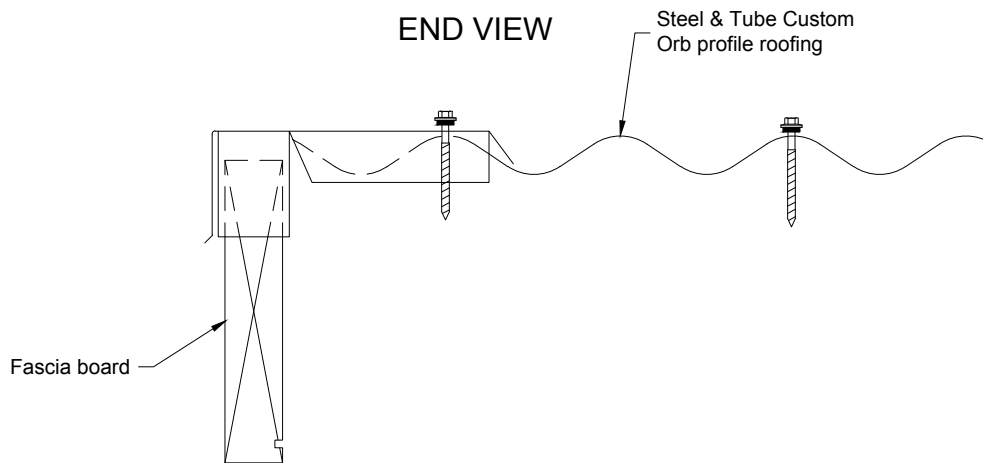
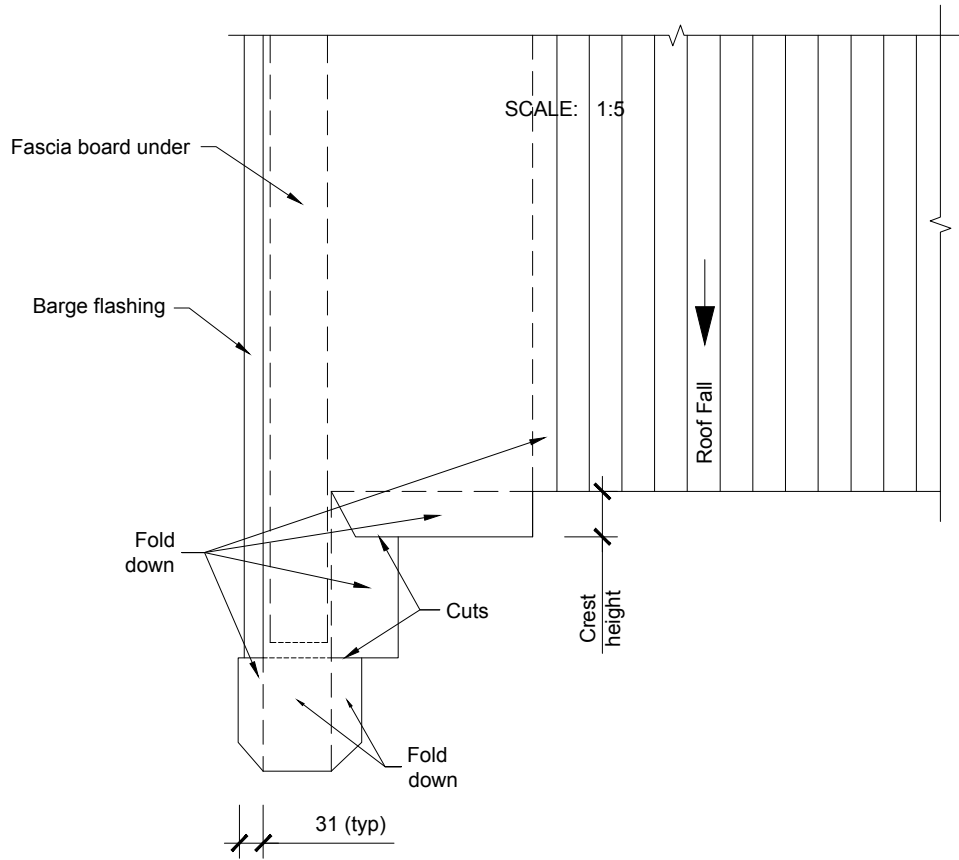


VERY HIGH WIND ZONES WHERE PITCH $\geq 10^\circ$
ALL WIND ZONES WHERE PITCH $< 10^\circ$

corb_custom_orb-apro_flash

Custom Orb Apron Flashing (Two Piece)
Cross Section

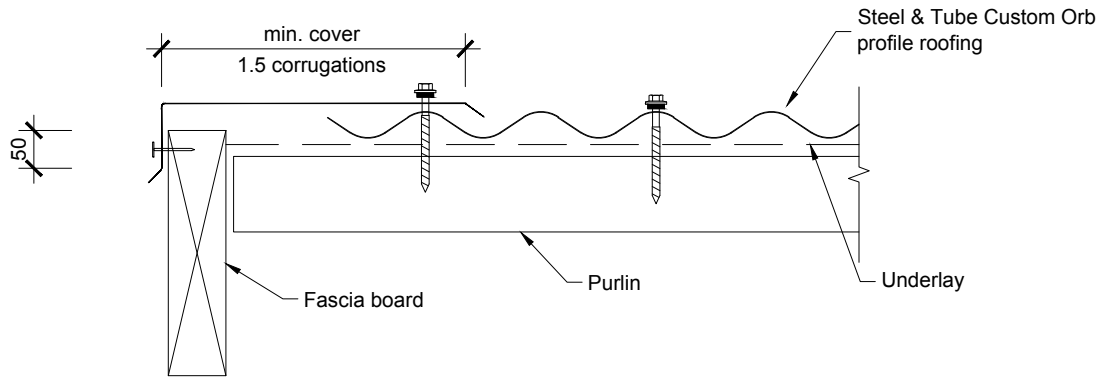
All dimensions in millimetres
Scale 1:10
16/01/12



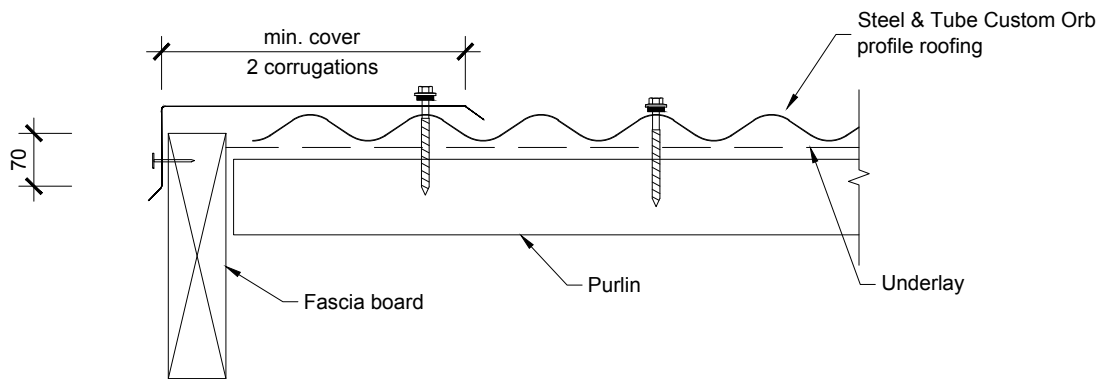
corb_custom_orb-barg_cut

Custom Orb Barge Eaves Detail
Plan View

All dimensions in millimetres
Scale 1:10
16/01/12



LOW / MEDIUM WIND ZONES WHERE PITCH $\geq 10^\circ$

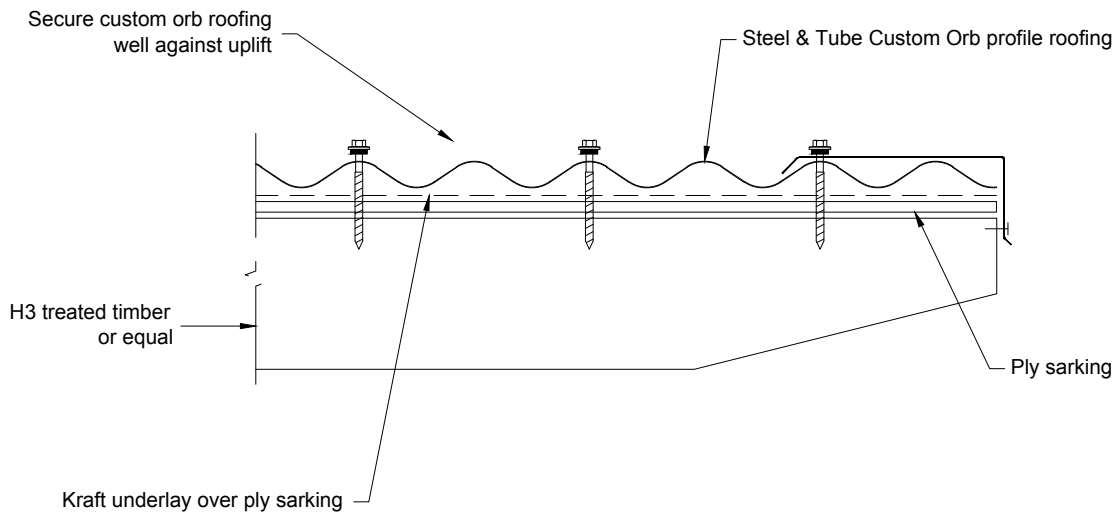


HIGH / VERY HIGH WIND ZONES WHERE PITCH $\geq 10^\circ$
ALL WIND ZONES WHERE PITCH $< 10^\circ$

corb_custom_orb-barg_flash

Custom Orb Barge Flashing
Cross Section

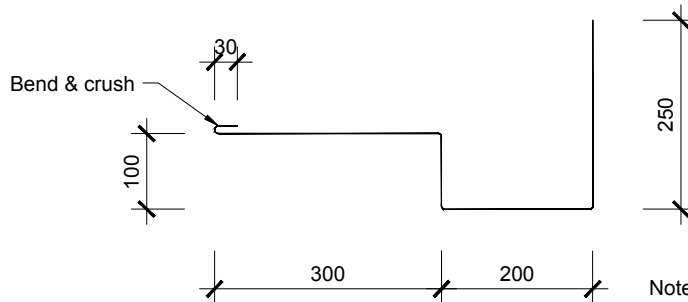
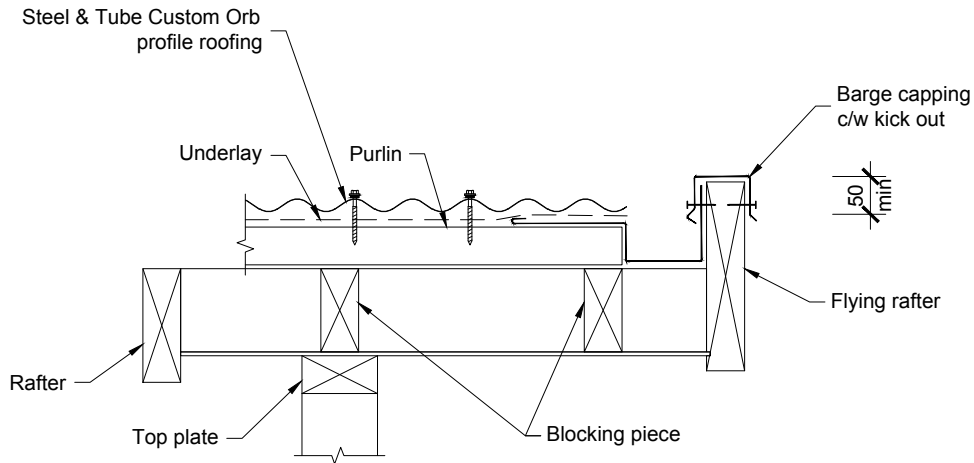
All dimensions in millimetres
Scale 1:10
16/01/12



corb_custom_orb-barg_outrigger

Custom Orb Edge Detail Exposed Outrigger
Cross Section

All dimensions in millimetres
Scale 1:5
16/01/12



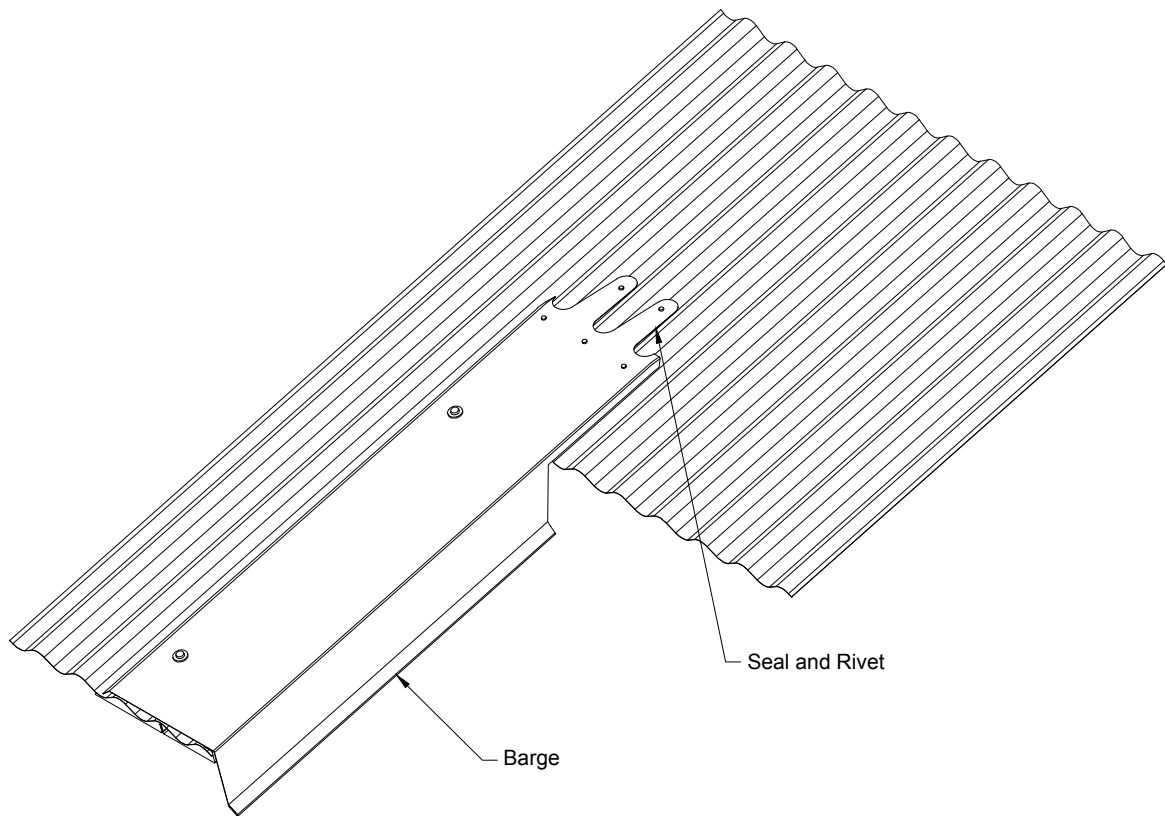
Note:
Cross section area: 5000mm²
Rainwater capacity: 20m² roofing

BARGE GUTTER DETAIL
SCALE: 1:5

corb_custom_orb-barg_rake

Custom Orb Barge Gutter Raking Barge Or Swiss Gable
Cross Section

All dimensions in millimetres
Scale 1:10
16/01/12

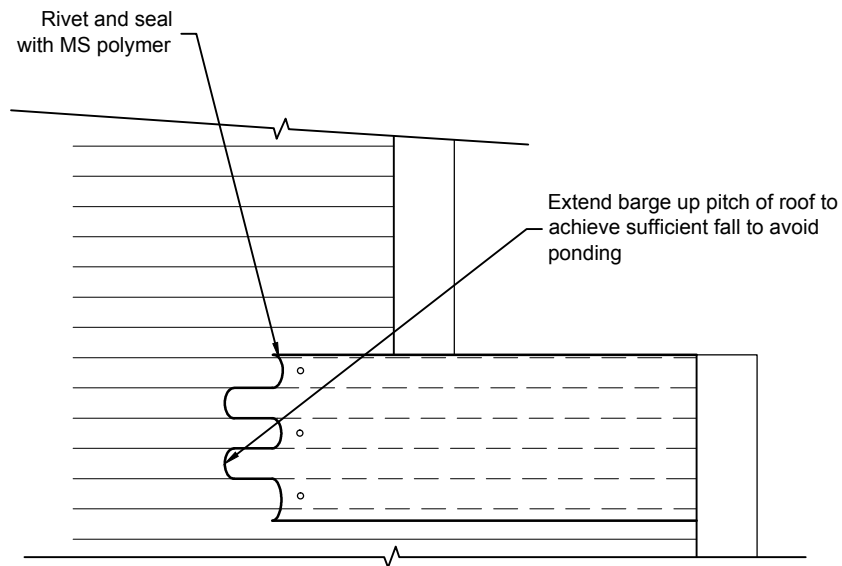
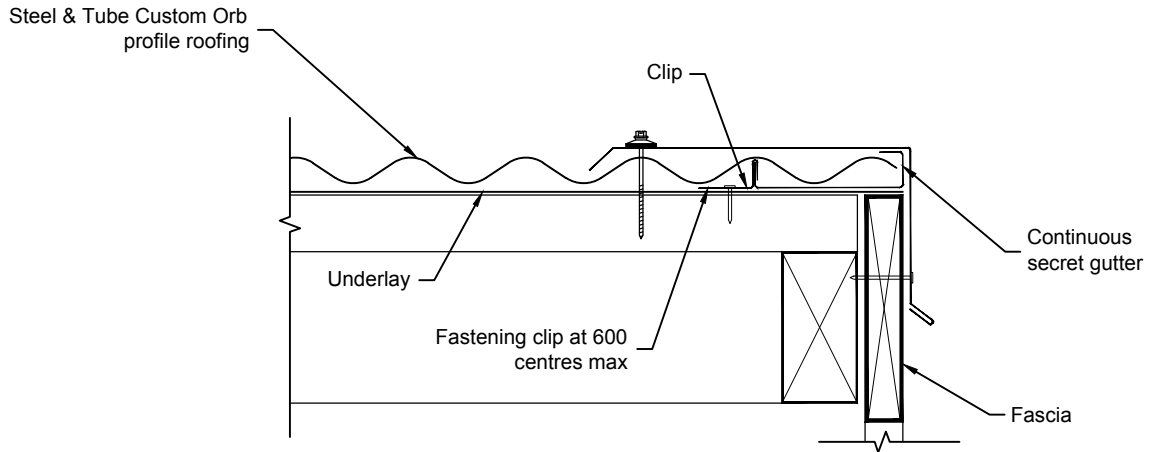


Gutters omitted for clarity

corb_custom_orb-barg_transition_3d

Transition Barge for Custom Orb
Isometric View

All dimensions in millimetres
Scale 1:10
16/01/12



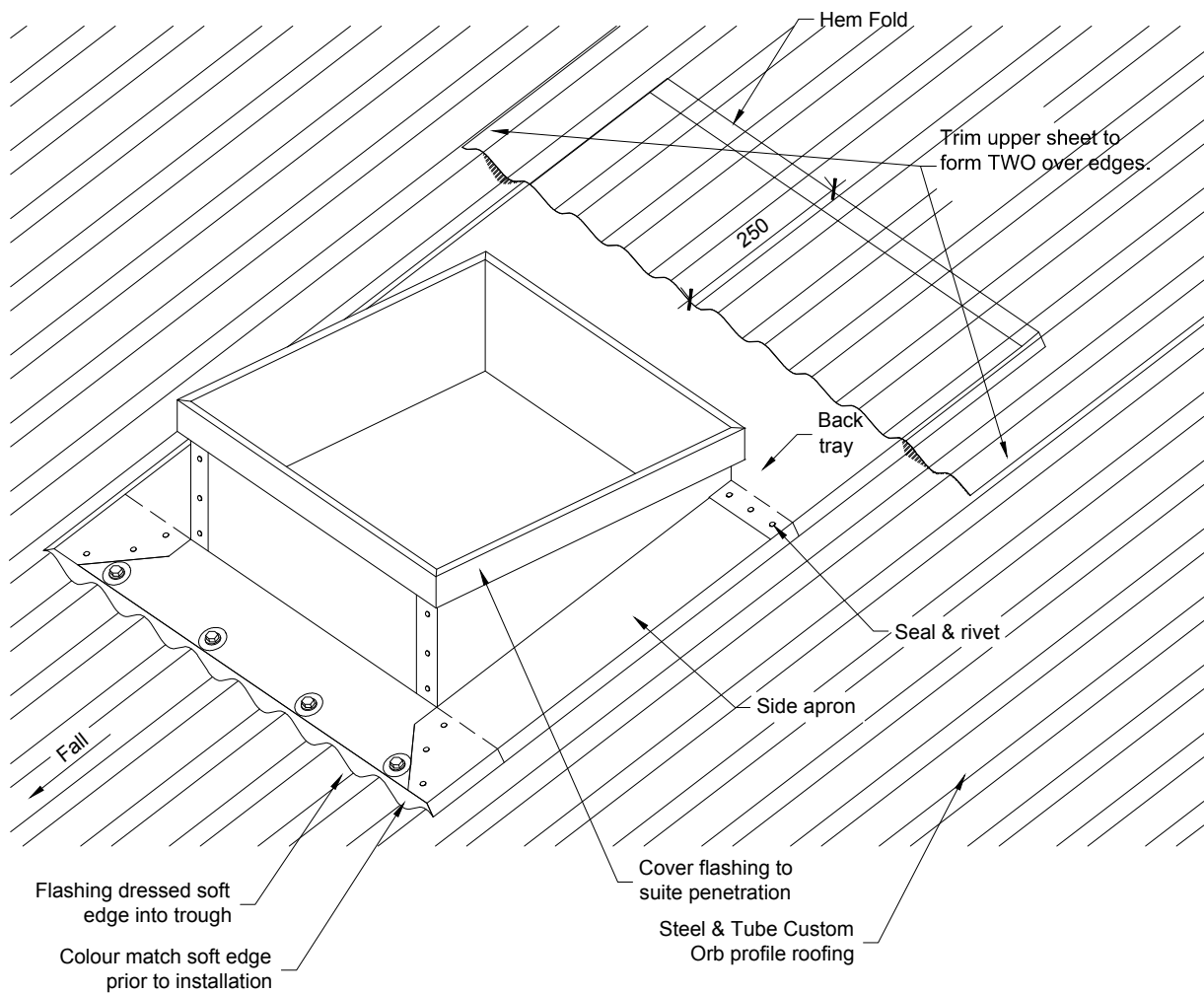
corb_custom_orb-barg_transition

Transition Barge for Custom Orb

All dimensions in millimetres
Scale 1:5
16/01/12

Laying Sequence:

1. Softedge apron,
2. Side flashing,
3. Back flashing,
4. Cover flashing,
5. Chase cut flashing over all upstands.



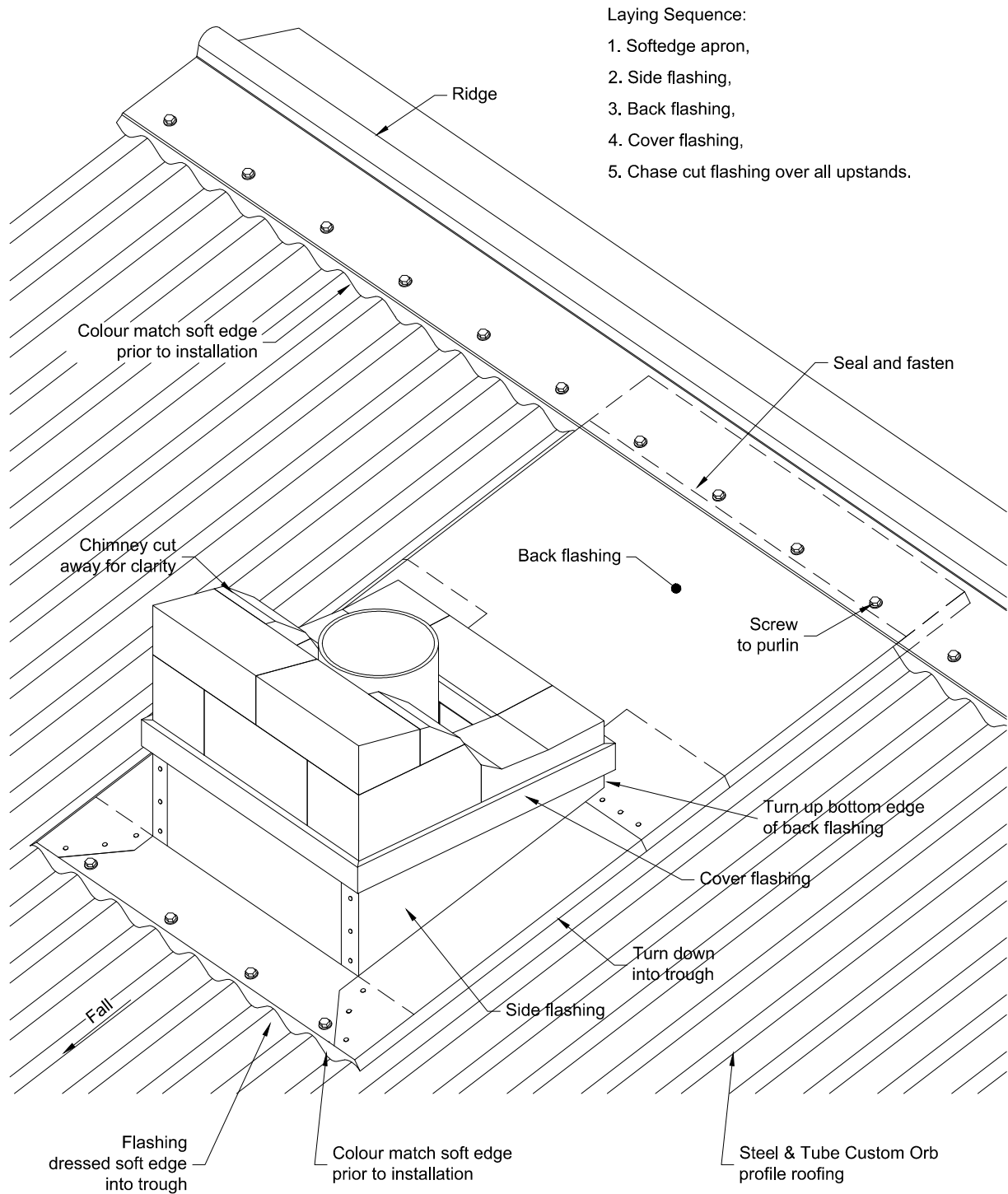
Notes:

- Use back flashing to ridge where possible.
- Suitable EH wind zone
- Minimum pitch 8 degrees

corb_custom_orb-chim_mid

Custom Orb Square Penetration Flashing Soaker Type

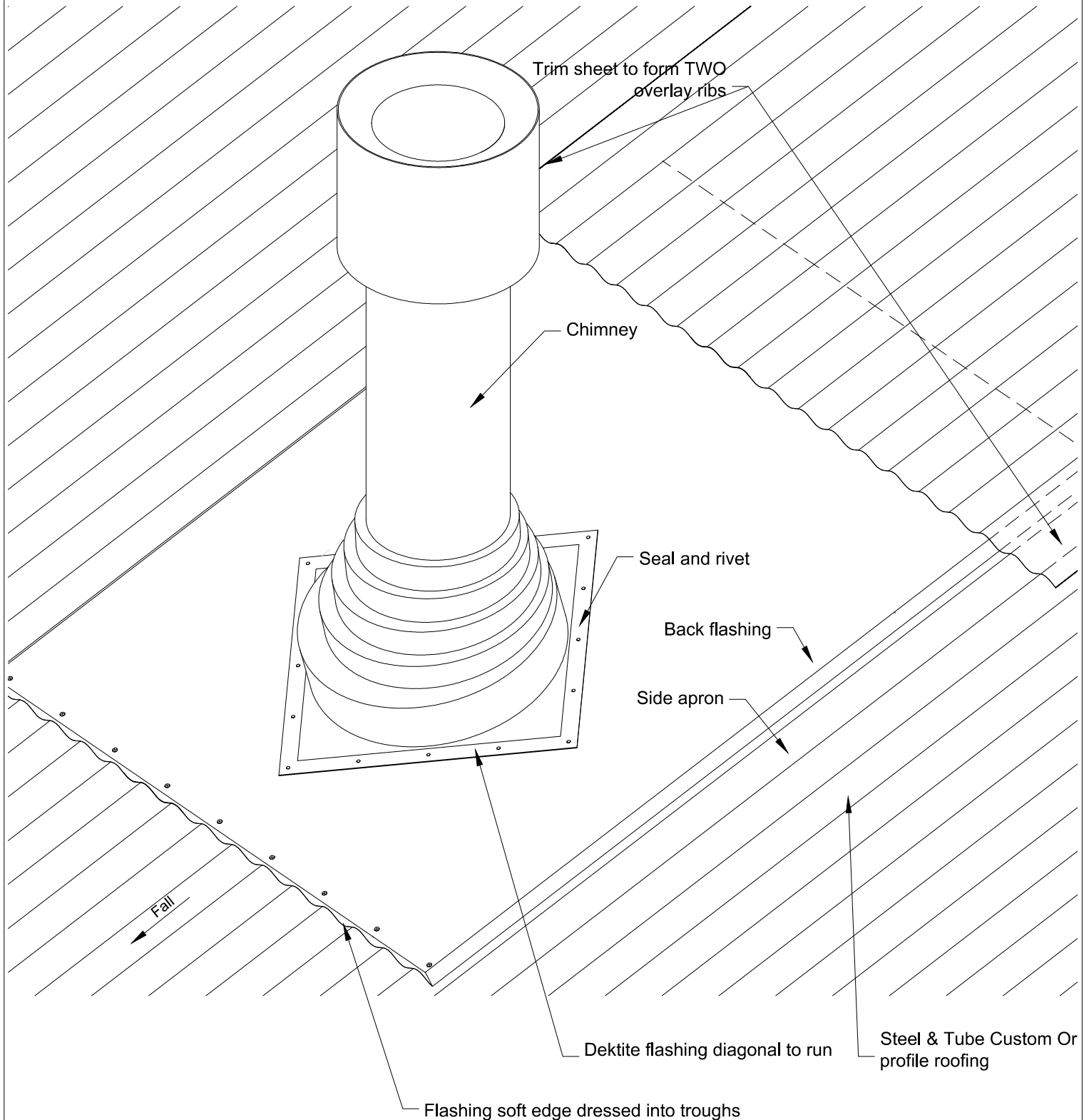
All dimensions in millimetres
Scale 1:10
16/01/12



corb_custom_orb-chim_ridge

Custom Orb Chimney Flashing - Back Flashed

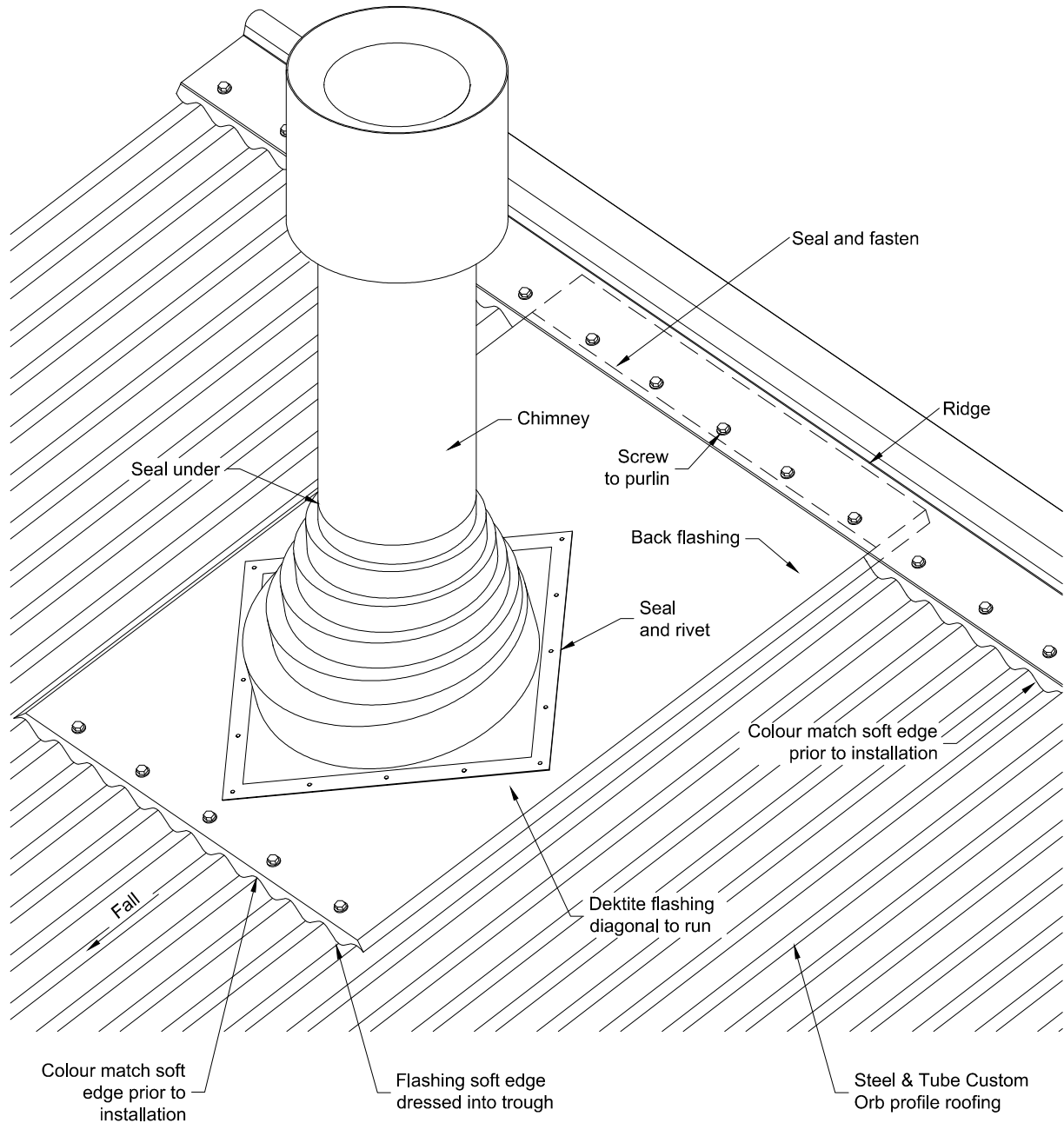
All dimensions in millimetres
Scale 1:10
16/01/12



corb_custom_orb-chim_round_mid

Custom Orb Chimney Flashing - Round Flue

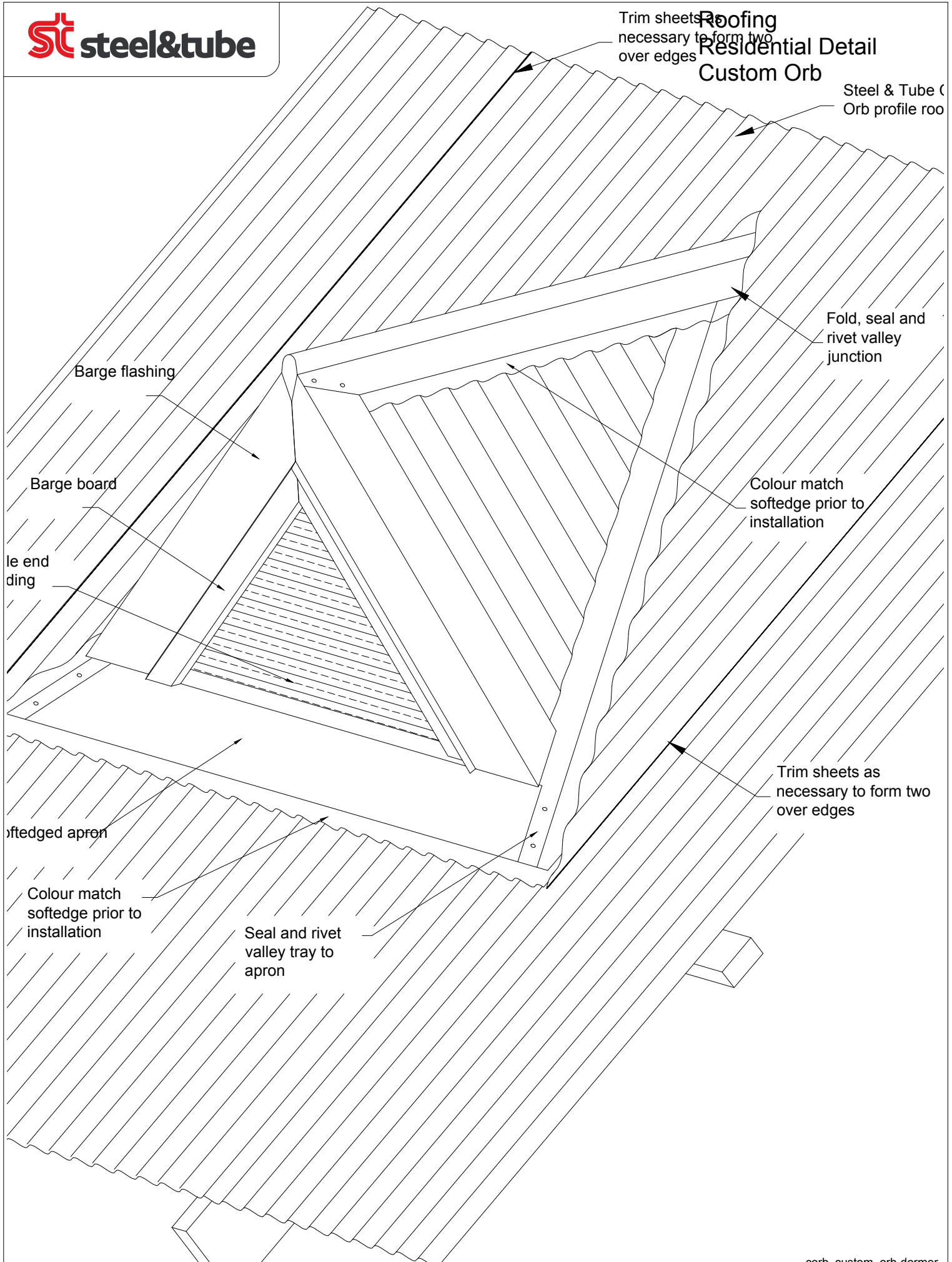
All dimensions in millimetres
Scale 1:10
16/01/12



corb_custom_orb-chim_round_ridge

Custom Orb Chimney Flashing - Round Flue

All dimensions in millimetres
Scale 1:10
16/01/12

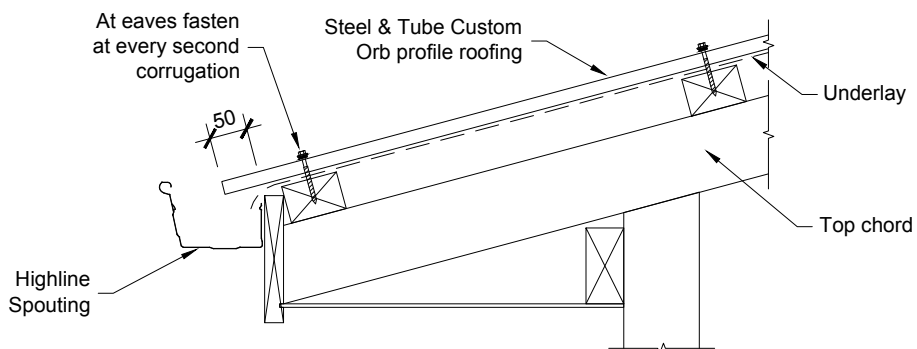
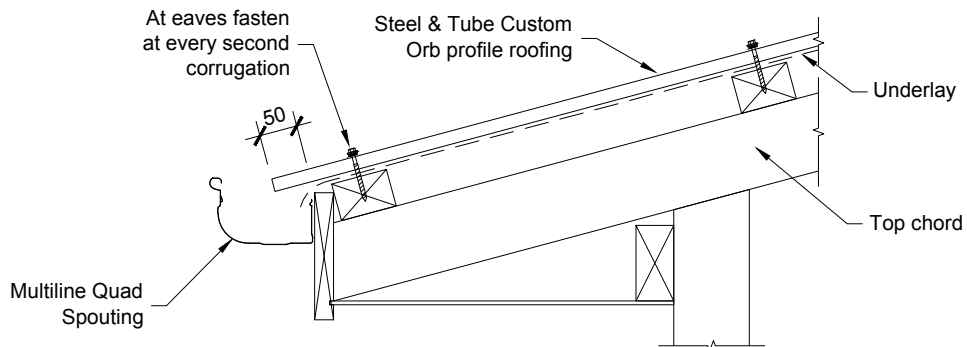
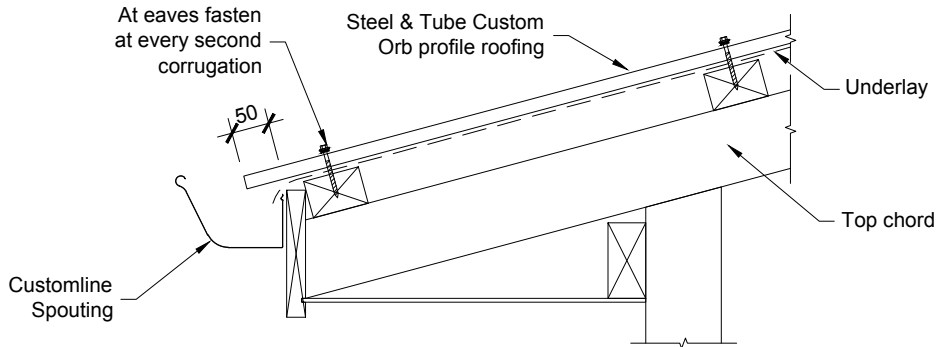


corb_custom_orb-dormer

Dormer Window Assembly
Pictorial

All dimensions in millimetres
Scale 1:10
16/01/12

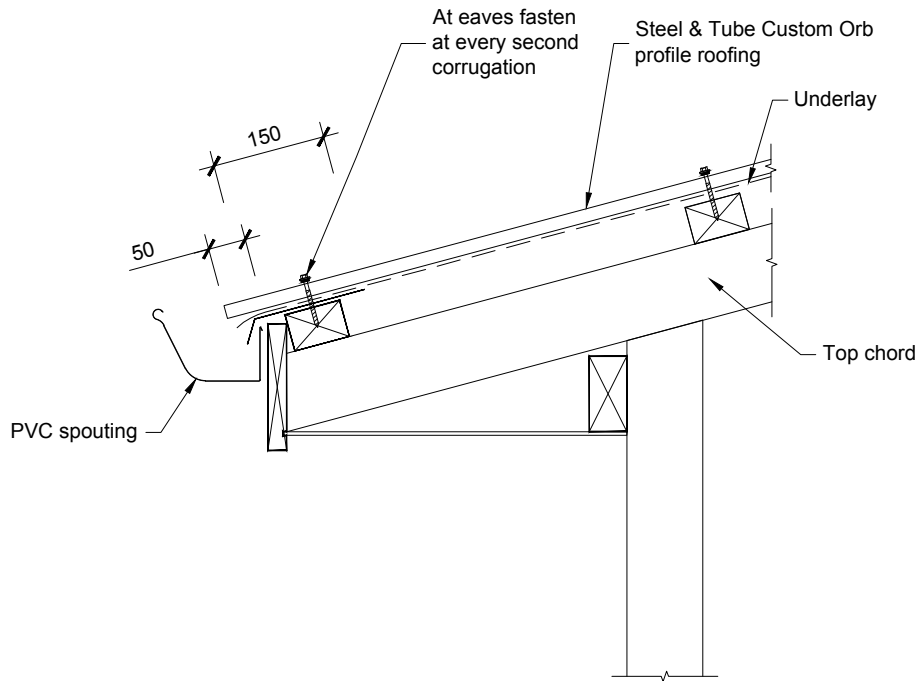
Note:
Position bottom purlin against fascia to prevent bird ingress.



corb_custom_orb-eave_gutter

Custom Orb Eaves Gutter
Cross Section

All dimensions in millimetres
Scale 1:10
16/01/12

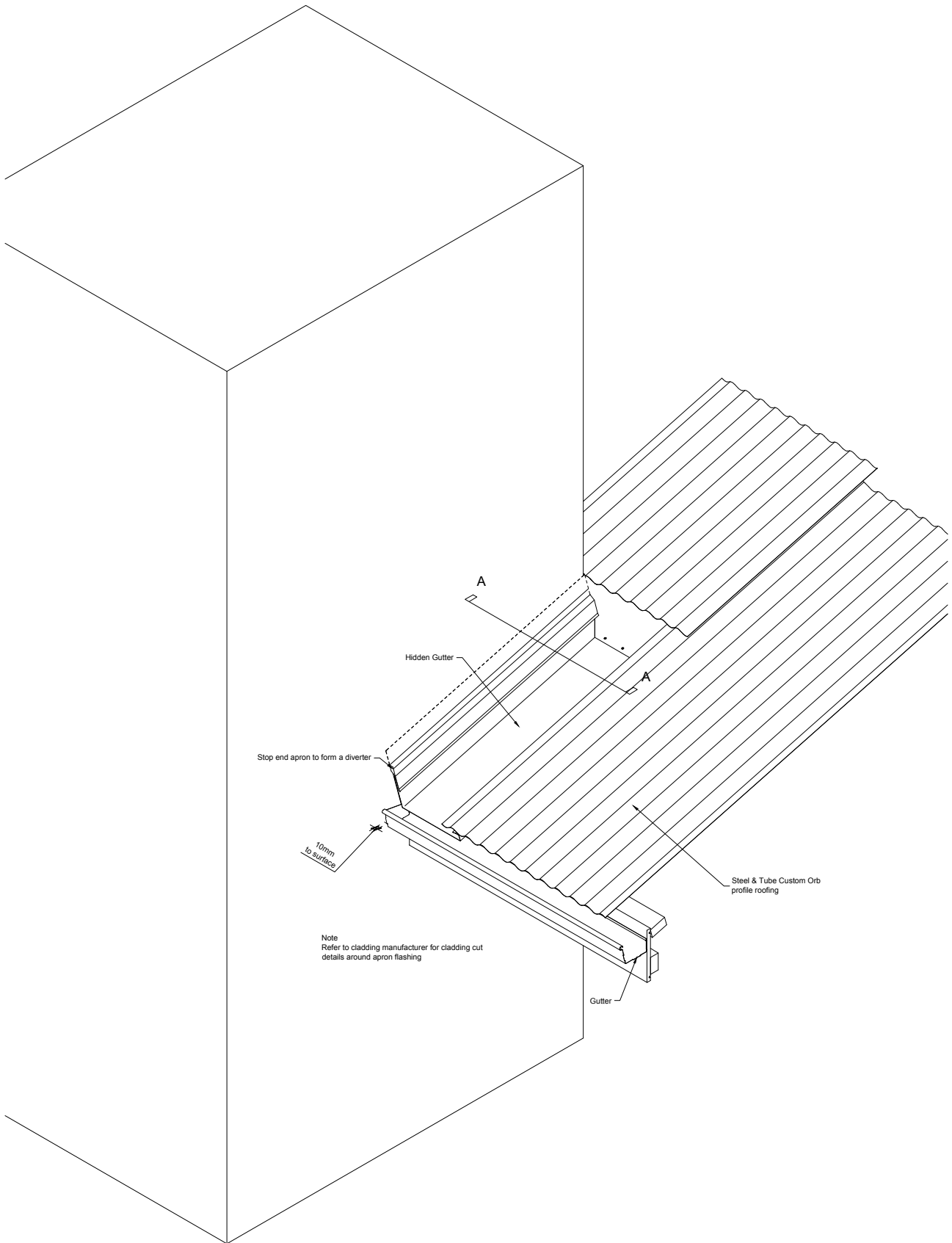


Note:
Eaves flashing required for durability in severe marine conditions where PVC or other low front spouting is used.

corb_custom_orb-eave_severe

Custom Orb Eaves Gutter - Severe Marine Pvc Spouting
Cross Section

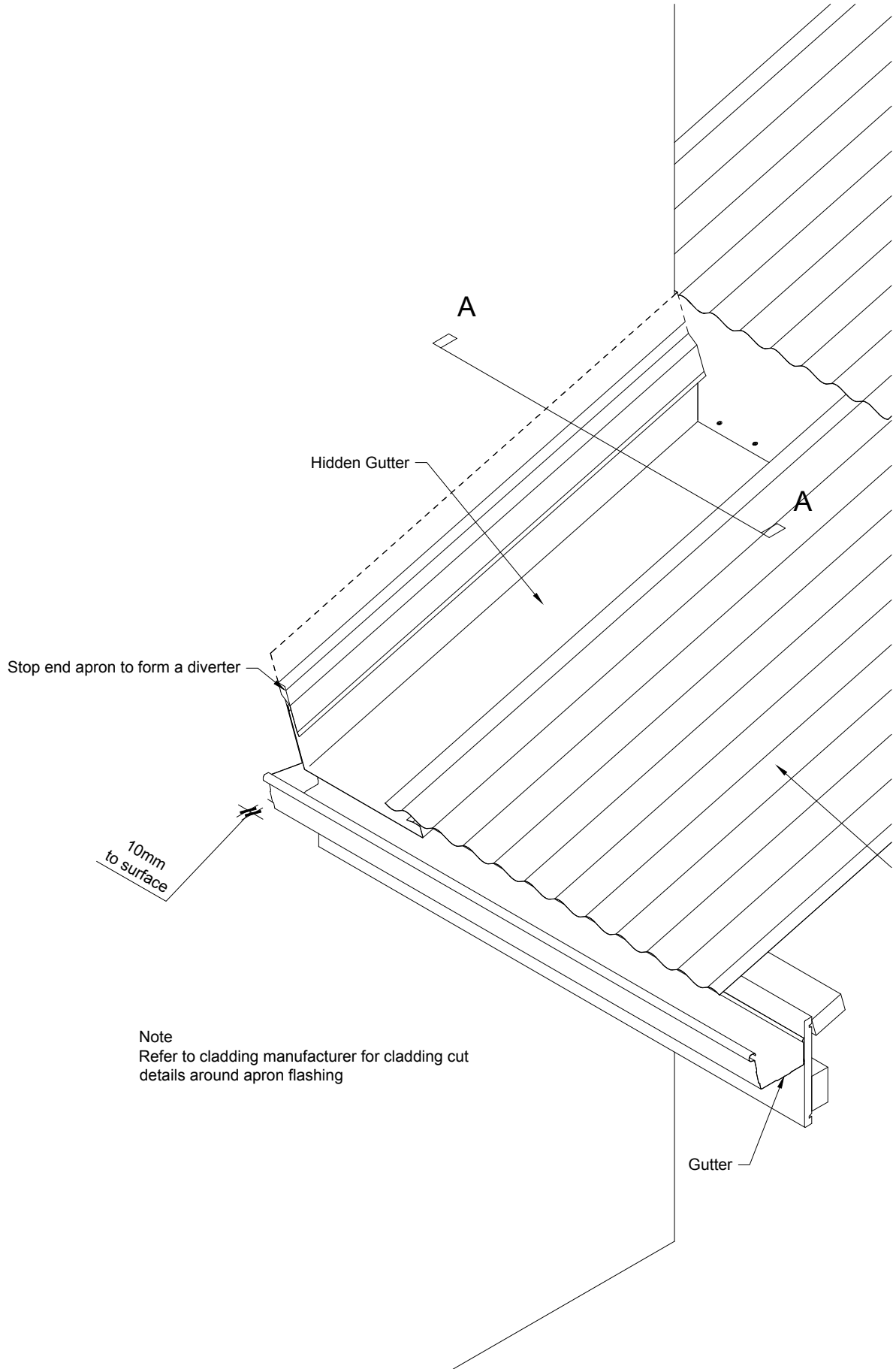
All dimensions in millimetres
Scale 1:10
16/01/12



corb_custom_orb-gutt_hidden

Chimney Gutter Detail
Isometric View

All dimensions in millimetres
Scale 1:20
16/01/12



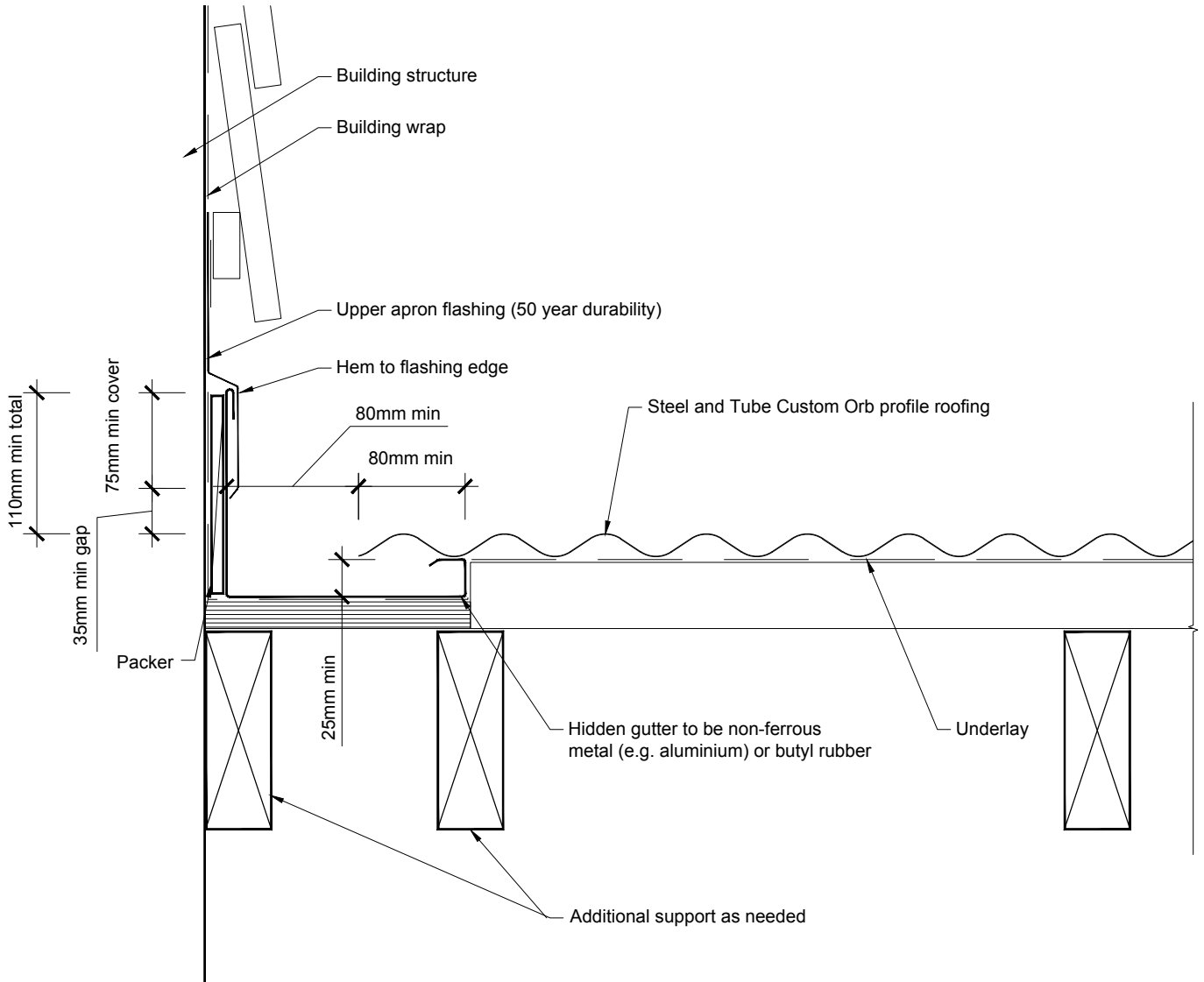
Note
Refer to cladding manufacturer for cladding cut
details around apron flashing

corb_custom_orb-gutt_iso

Chimney Gutter Detail
Isometric View

www.steelandtube.co.nz
Technical helpline 0800 333 247

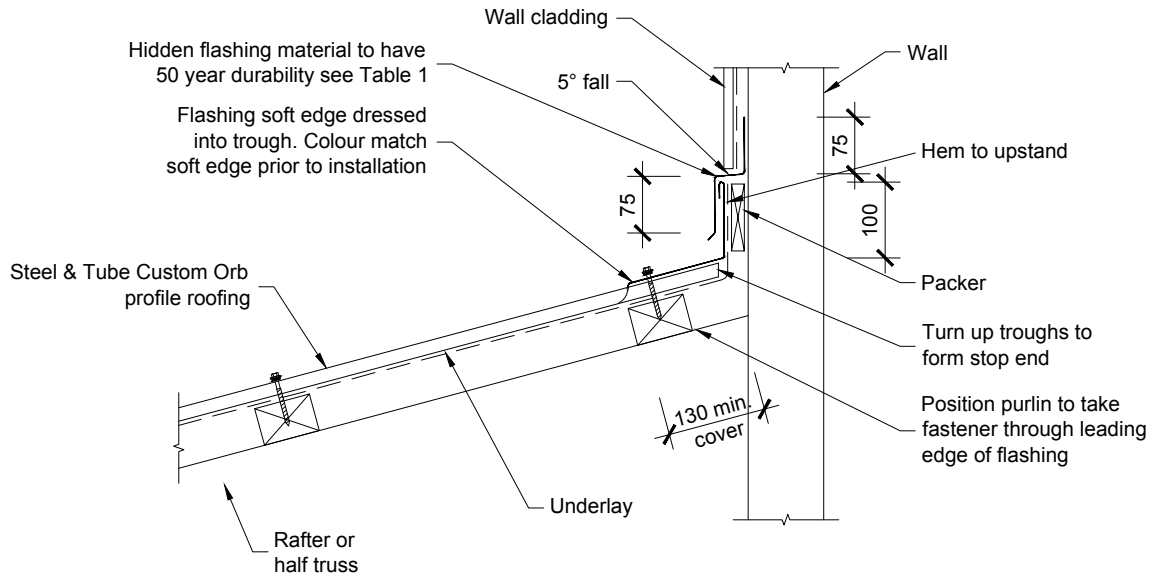
All dimensions in millimetres
Scale: Scale 1:10
11 May 2011



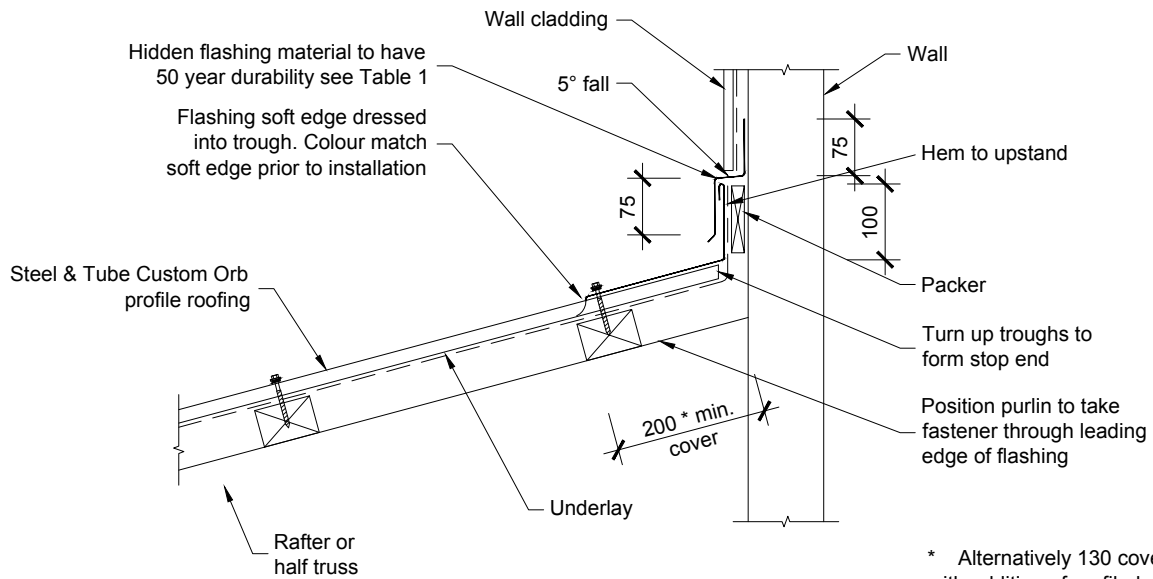
corb_custom_orb-gutt_sect_aa

Hidden Gutter
Section AA

All dimensions in millimetres
Scale 1:5
16/01/12



LOW / MEDIUM / HIGH WIND ZONES WHERE PITCH $\geq 10^\circ$



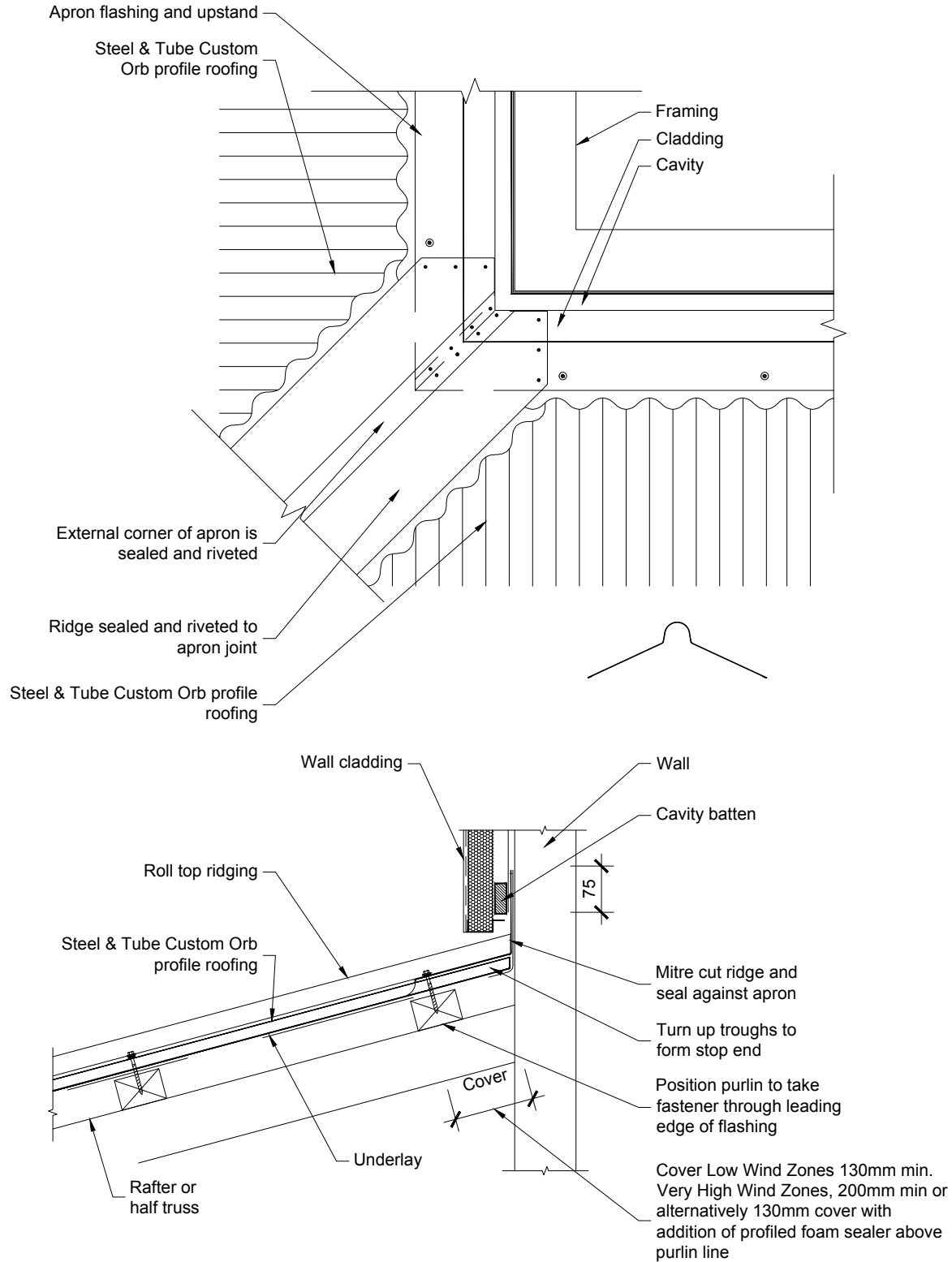
VERY HIGH WIND ZONES WHERE PITCH $\geq 10^\circ$
ALL WIND ZONES WHERE PITCH $< 10^\circ$

* Alternatively 130 cover with addition of profiled foam sealer above purlin line

corb_custom_orb-head_apron

Custom Orb Head Apron Flashing
Cross Section

All dimensions in millimetres
Scale 1:10
16/01/12

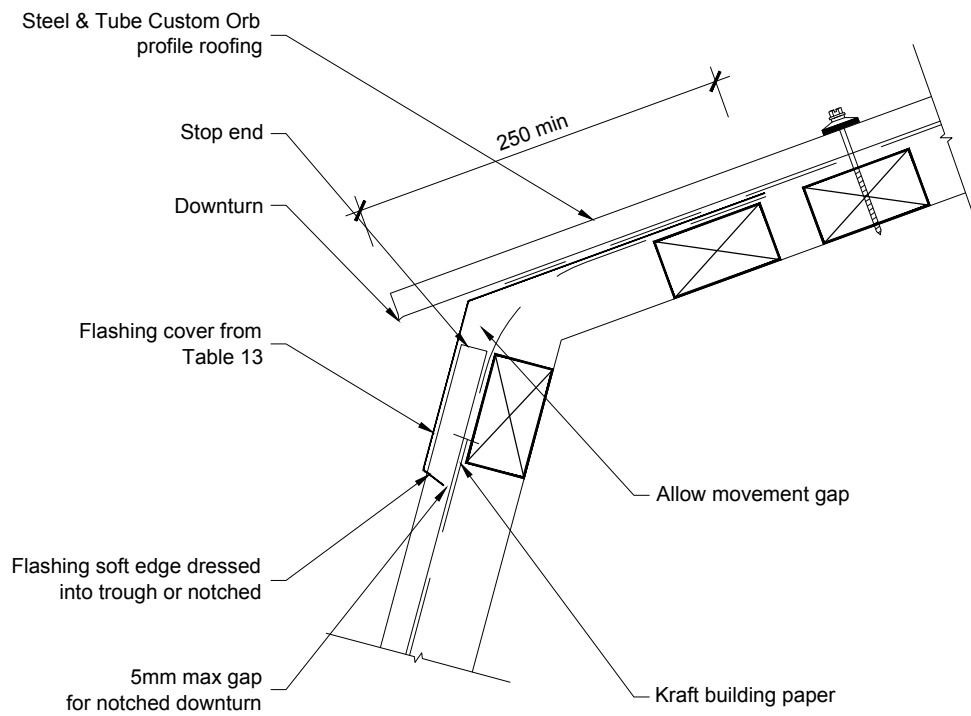


**WIND ZONES WHERE PITCH $\geq 10^\circ$
ALL WIND ZONES WHERE PITCH $< 10^\circ$**

corb_custom_orb-hip_wall_abut

**Custom Orb Hip Wall Abuttment
Plan and Cross Section**

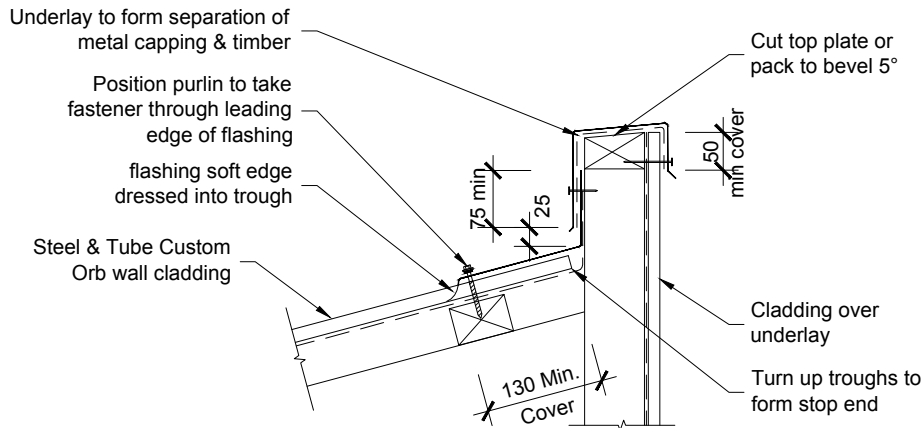
All dimensions in millimetres
Scale 1:10
16/01/12



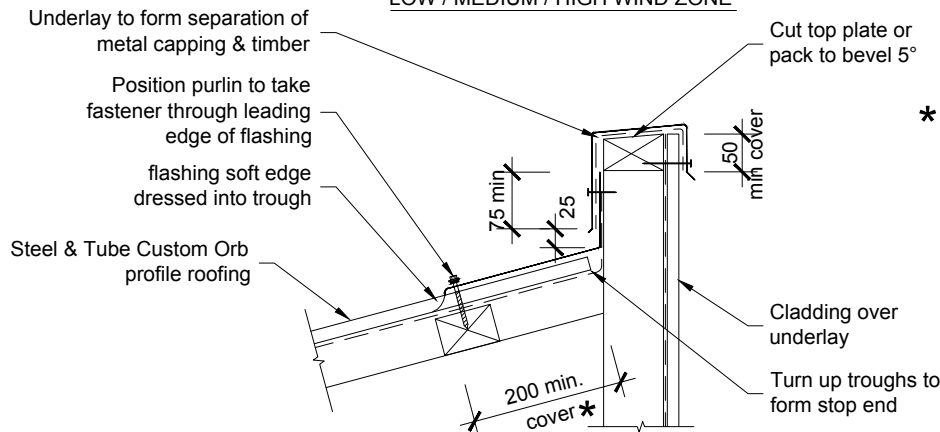
corb_custom_orb-mansard

Mansard Flashing

All dimensions in millimetres
Scale 1:5
16/01/12

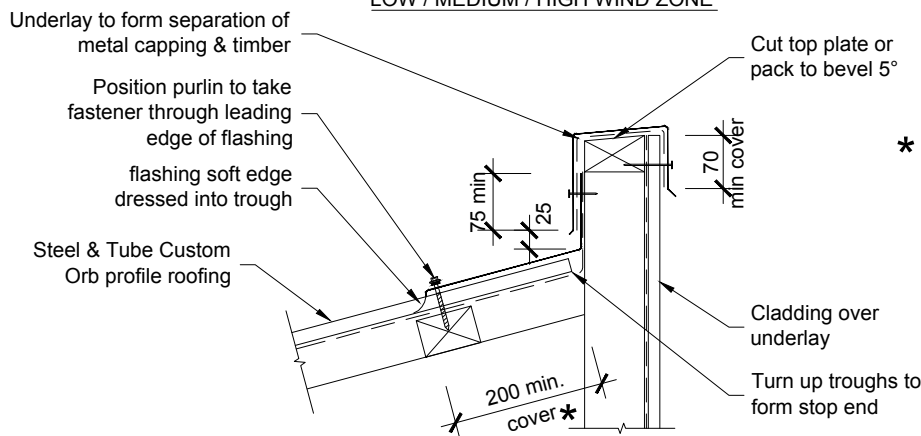


ROOF PITCH $\geq 10^\circ$
LOW / MEDIUM / HIGH WIND ZONE



* Alternatively 130 cover with addition of profiled foam sealer above purlin line

ROOF PITCH $< 10^\circ$
LOW / MEDIUM / HIGH WIND ZONE



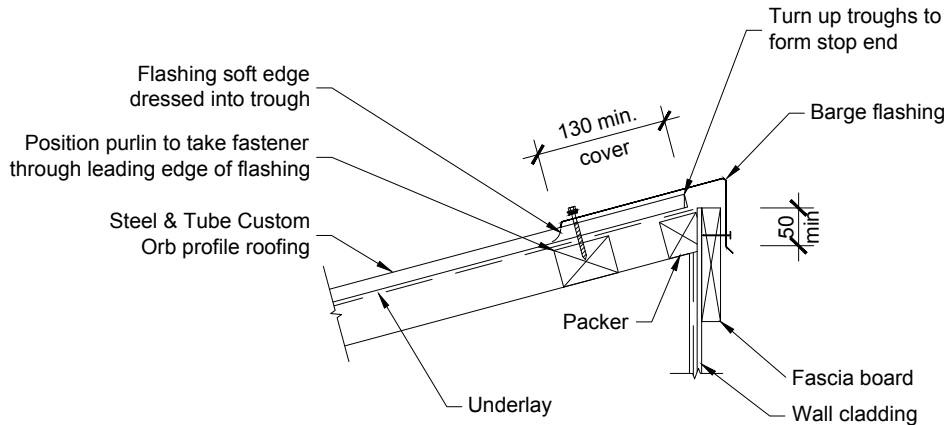
* Alternatively 130 cover with addition of profiled foam sealer above purlin line

ALL PITCHES
VERY HIGH WIND ZONE

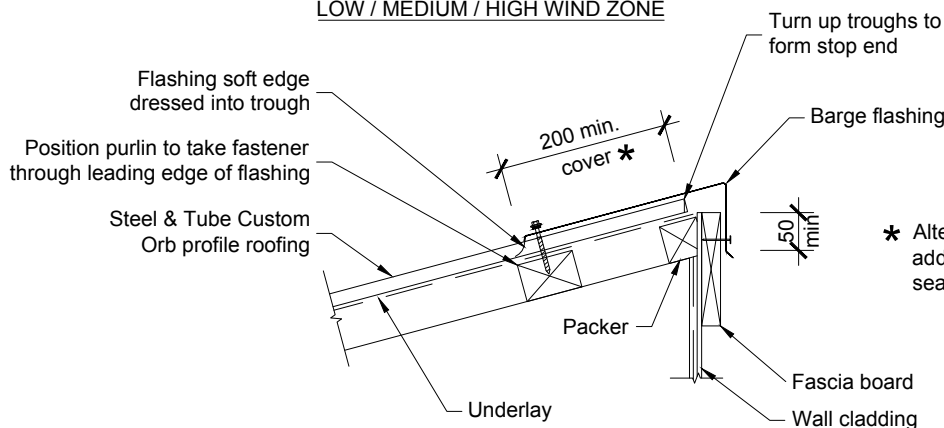
corb_custom_orb-parapet

Custom Orb Head Parapet Flashing
Cross Section

All dimensions in millimetres
Scale 1:10
16/01/12

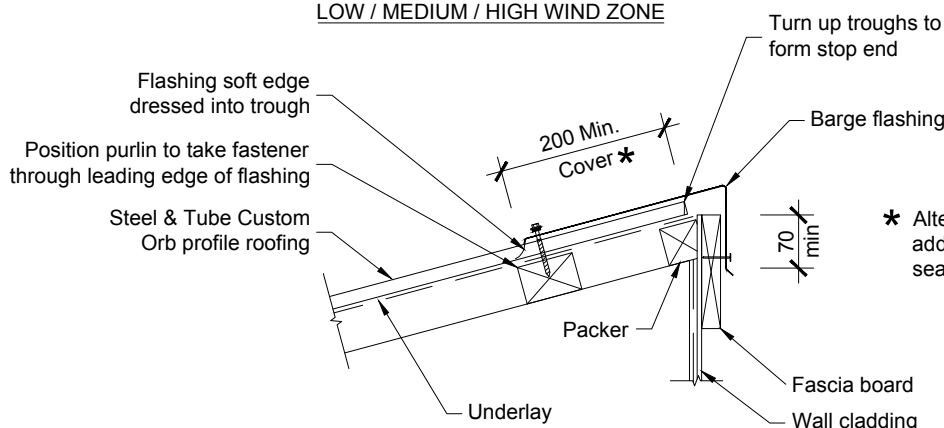


ROOF PITCH $\geq 10^\circ$
LOW / MEDIUM / HIGH WIND ZONE



* Alternatively 130 cover with addition of profiled foam sealer above purlin line

ROOF PITCH $< 10^\circ$
LOW / MEDIUM / HIGH WIND ZONE



* Alternatively 130 cover with addition of profiled foam sealer above purlin line

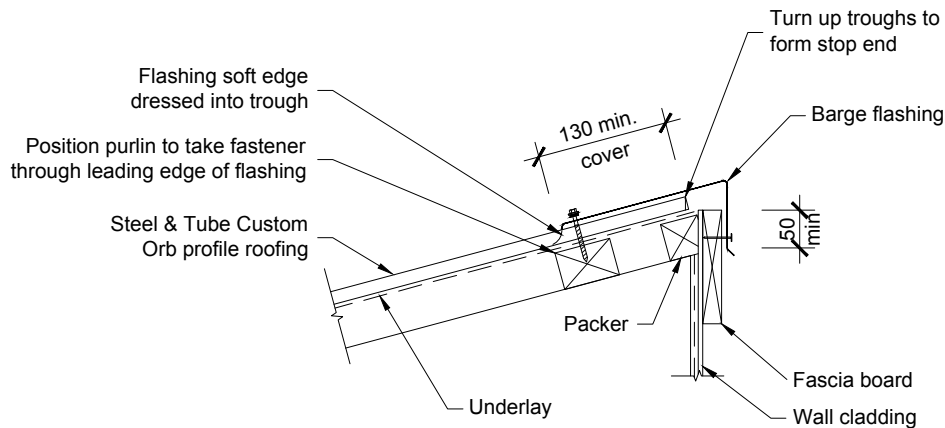
ALL PITCHES
VERY HIGH WIND ZONE

corb_custom_orb-roof_head_barge

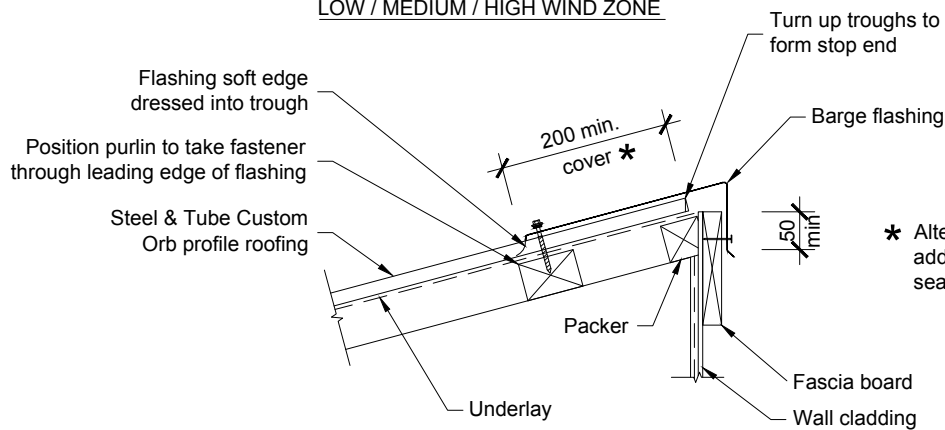
Custom Orb Head Barge Flashing
Cross Section

www.steelandtube.co.nz
Technical helpline 0800 333 247

All dimensions in millimetres
Scale: Scale 1:10
11 May 2011

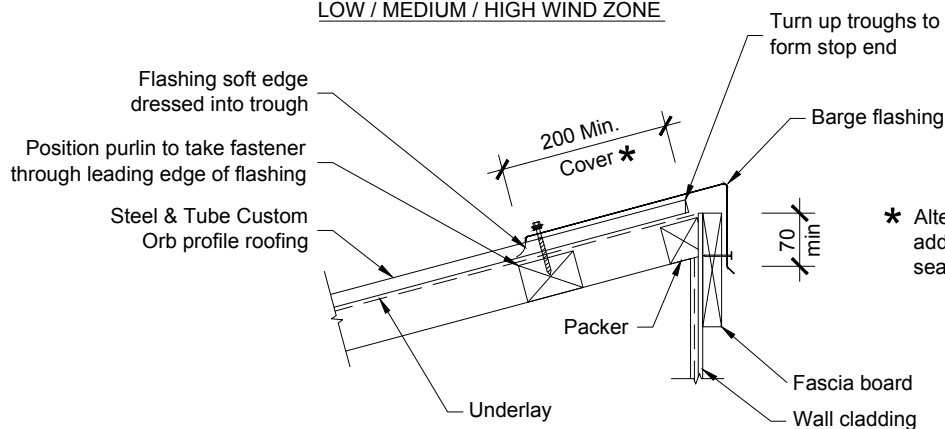


ROOF PITCH $\geq 10^\circ$
LOW / MEDIUM / HIGH WIND ZONE



* Alternatively 130 cover with addition of profiled foam sealer above purlin line

ROOF PITCH $< 10^\circ$
LOW / MEDIUM / HIGH WIND ZONE



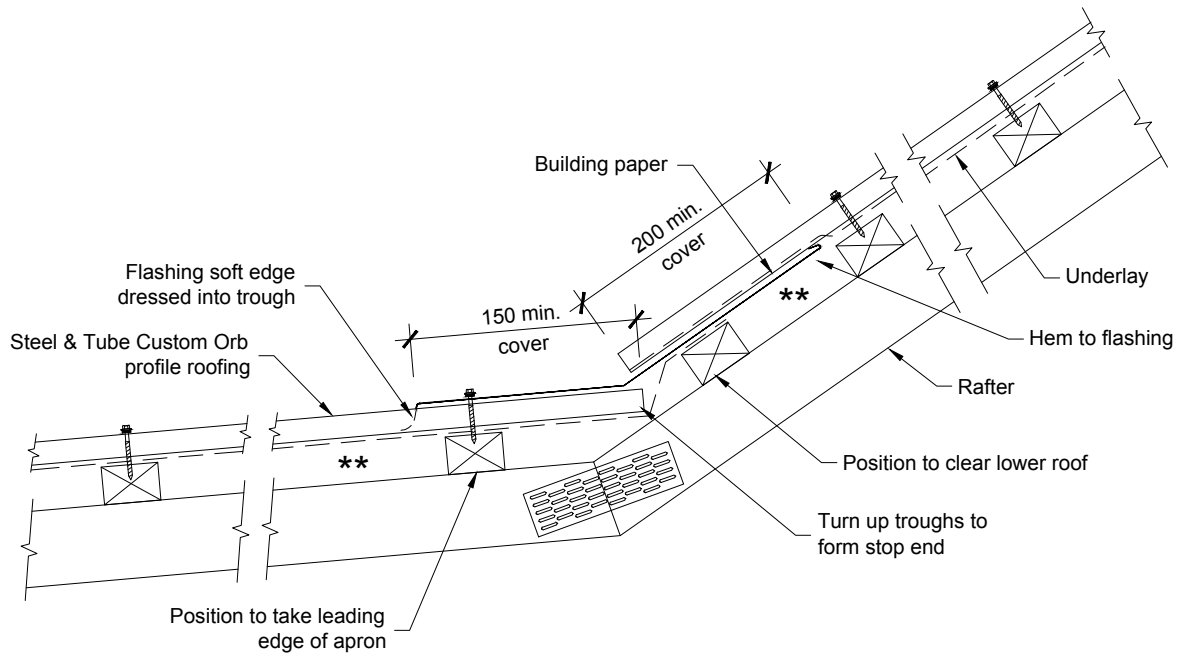
* Alternatively 130 cover with addition of profiled foam sealer above purlin line

ALL PITCHES
VERY HIGH WIND ZONE

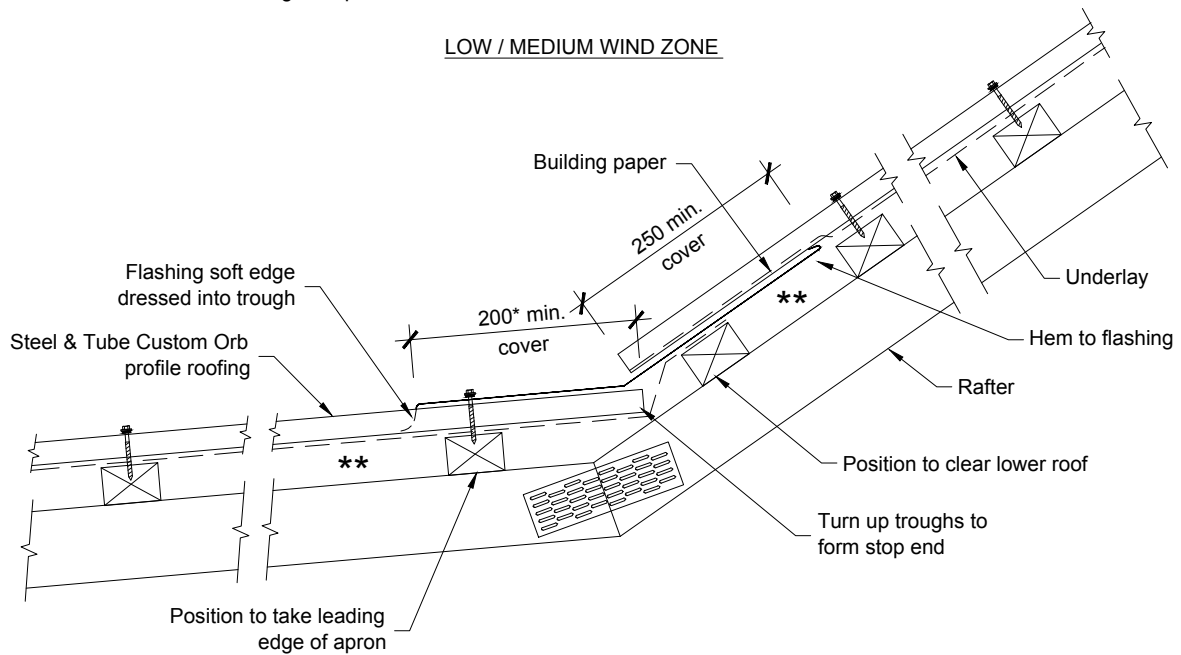
corb_custom_orb-roof_head_flash

Custom Orb Head Barge Flashing
Cross Section

All dimensions in millimetres
Scale 1:10
16/01/12



LOW / MEDIUM WIND ZONE



HIGH / VERY HIGH WIND ZONE

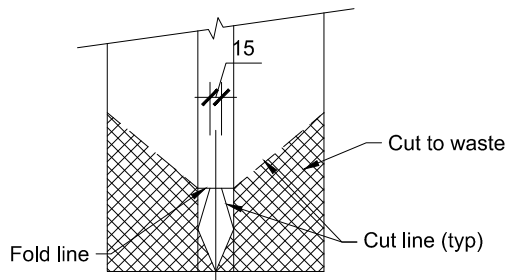
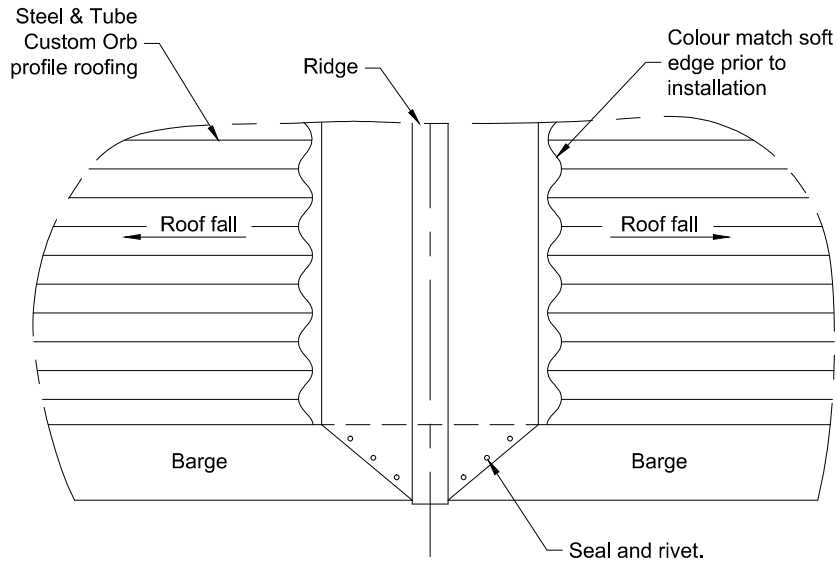
Note:

- * Alternatively 150 cover with addition of profiled foam sealer above purlin line
- ** Purlin spacing to suit end span situation

corb_custom_orb-roof_pitch_chg

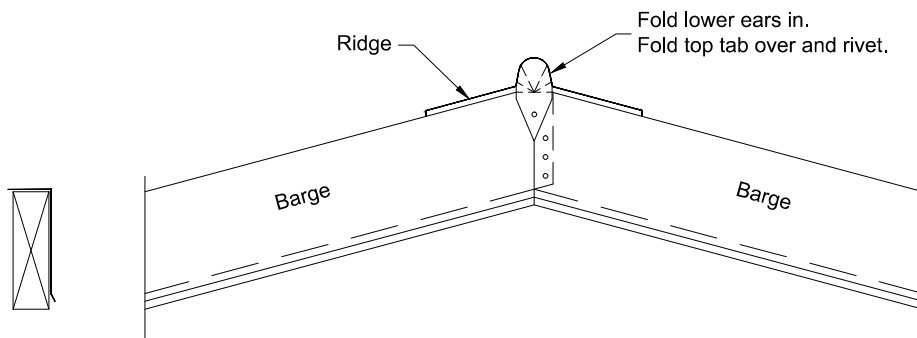
**Custom Orb Change Of Pitch
Cross Section**

All dimensions in millimetres
Scale 1:10
16/01/12



**DETAIL
RIDGE END CUT**

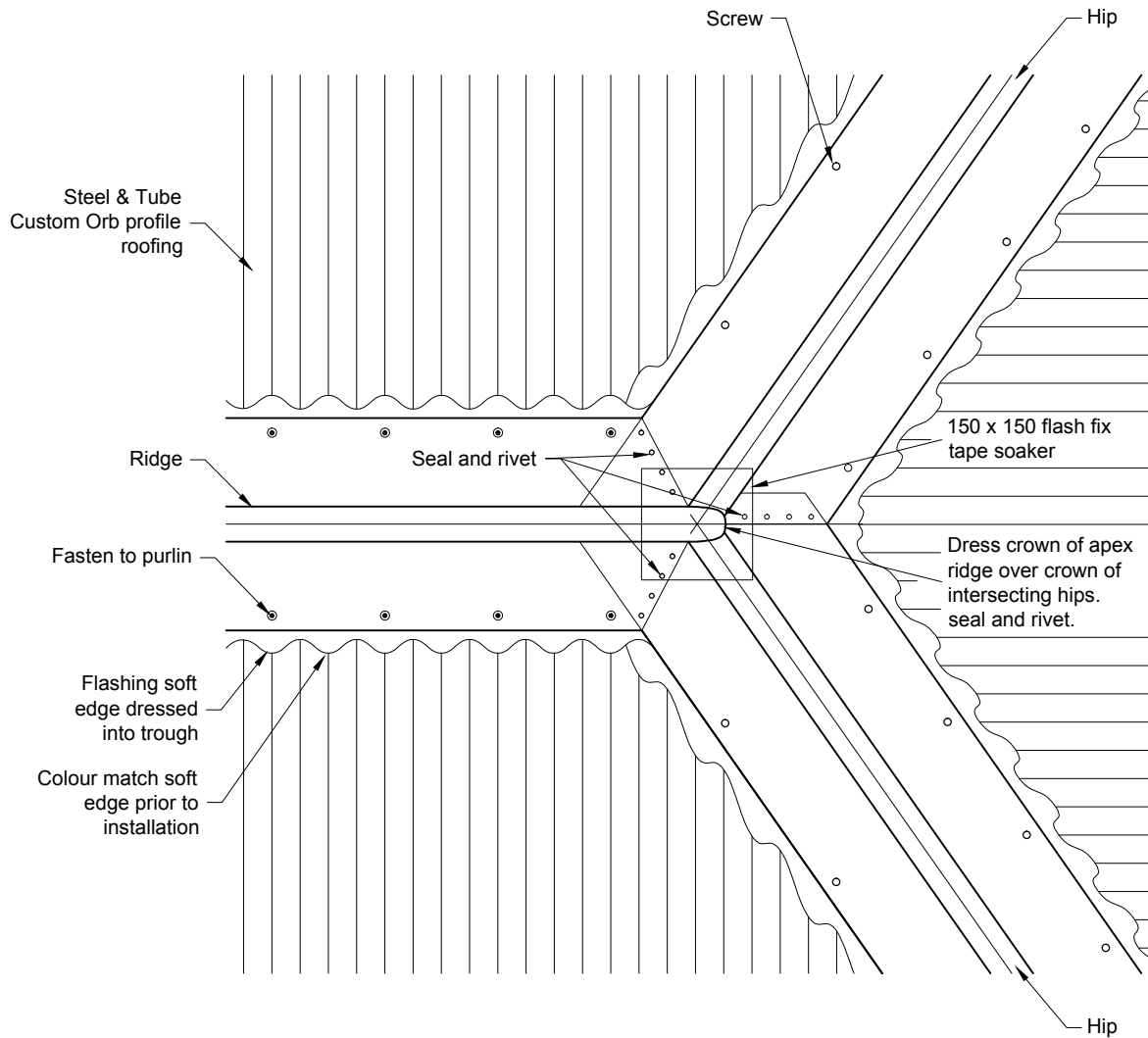
END VIEW



corb_custom_orb-roof_ridge_cut

**Custom Orb Ridge Cut Detail
Plan View**

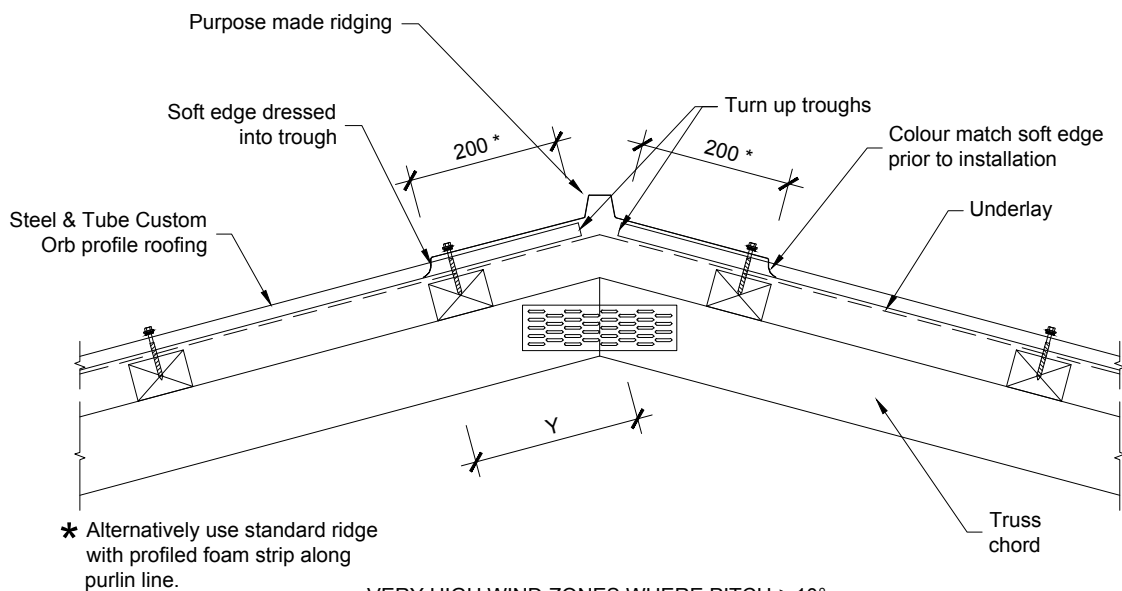
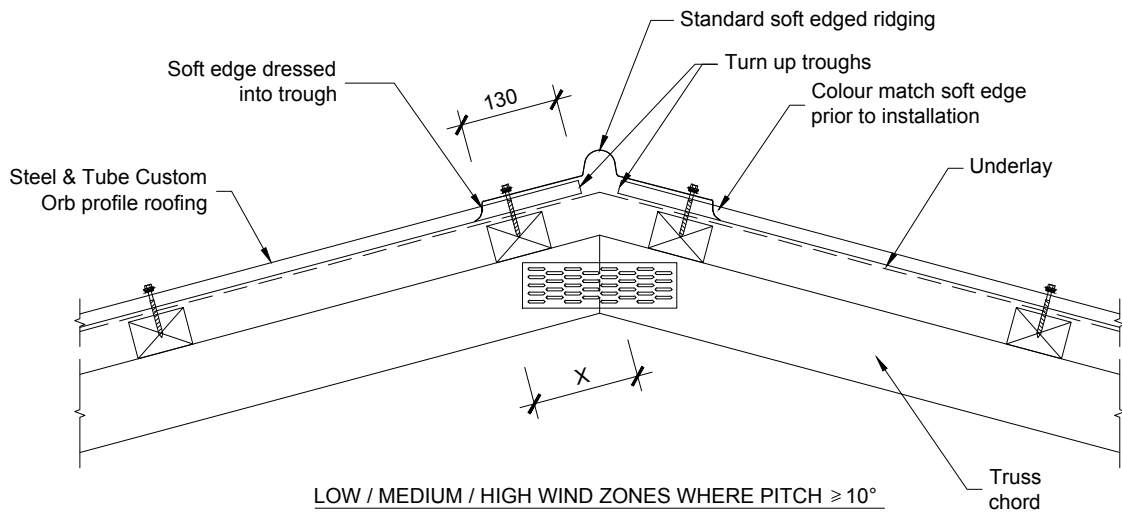
All dimensions in millimetres
Scale 1:10
16/01/12



corb_custom_orb-roof_ridge_hip

Custom Orb Hip Junction
Plan View

All dimensions in millimetres
Scale 1:10
16/01/12



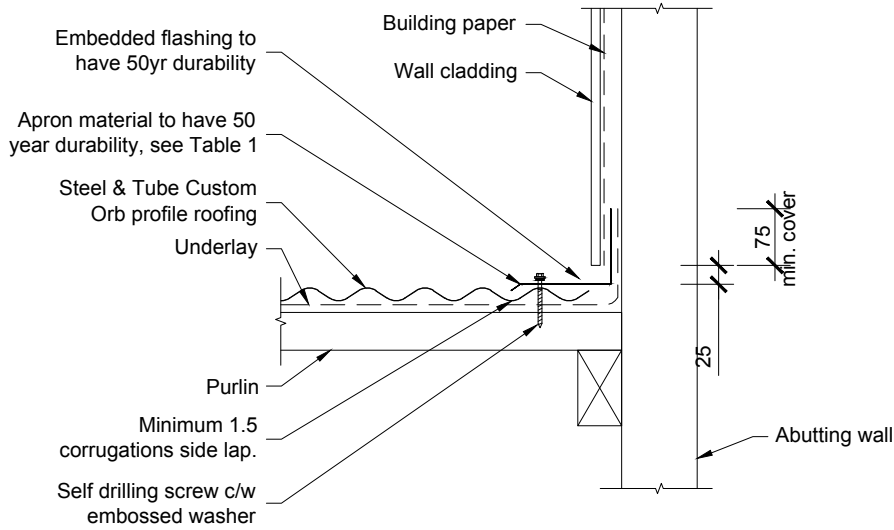
Roof Pitch	8	10	15	20	25	30	35	45
Dimension X	168	167	162	156	150	143	134	115
Dimension Y	218	217	212	206	200	193	184	165

For standard ridge using ex 50mm purlins on flat

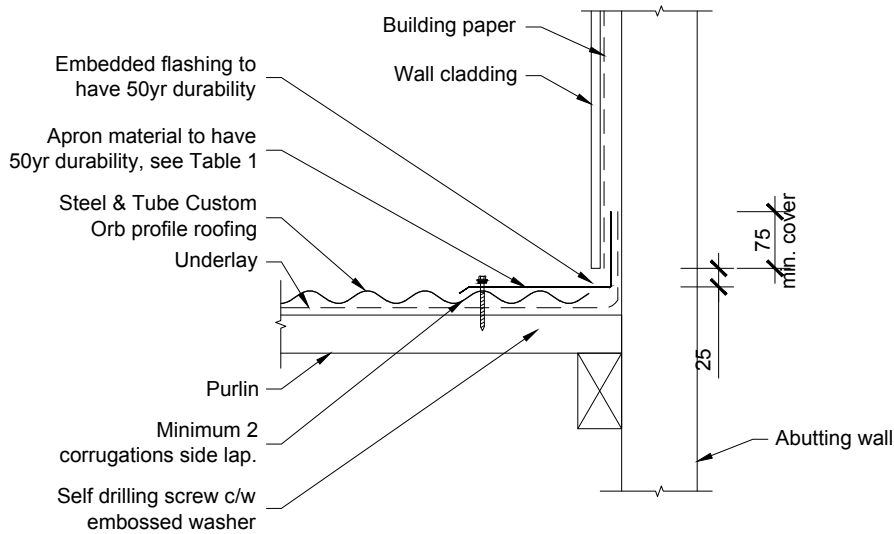
corb_custom_orb-roof_ridge

**Custom Orb Ridge Apex
Cross Section**

All dimensions in millimetres
Scale 1:10
16/01/12



LOW / MEDIUM / HIGH WIND ZONES WHERE PITCH $\geq 10^\circ$

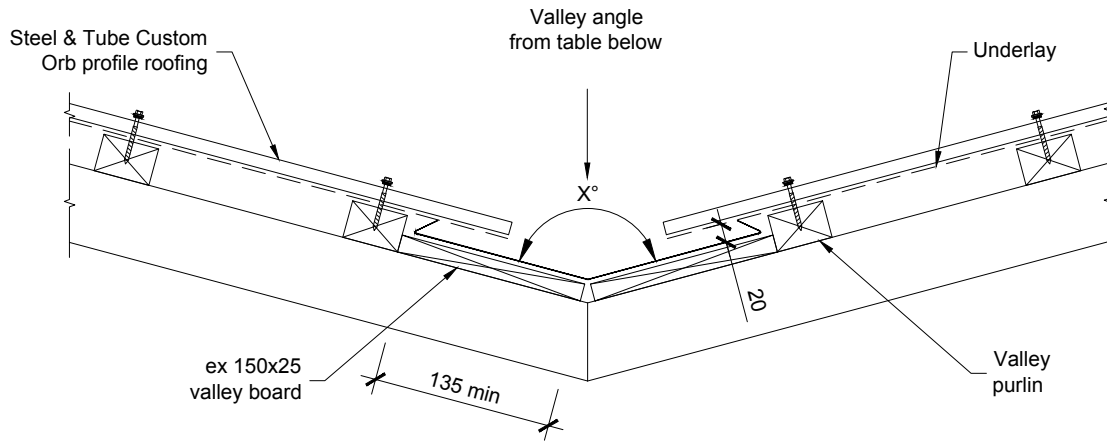


VERY HIGH WIND ZONES WHERE PITCH $\geq 10^\circ$
ALL WIND ZONES WHERE PITCH $< 10^\circ$

corb_custom_orb-side_flash

Custom Orb Side Flashing To Parallel Wall (Abutment Flashing)
Cross Section

All dimensions in millimetres
Scale 1:10
16/01/12



Valley Angles and Catchments

Roof Pitch	<8°	8°	10°	15°	20°	25°	30°	35°	45°
Valley Angle	Varies	169	166	159	152	145	139	132	120
Maximum Catchment	*	20m ²	26m ²	27m ²	35m ²	43m ²	52m ²	63m ²	75m ²

* For degrees below 8° and larger catchments design as internal gutter in accordance with E1/AS1 figure 16.

corb_custom_orb-valley

Custom Orb Valley
Cross Section

All dimensions in millimetres
Scale 1:10
16/01/12