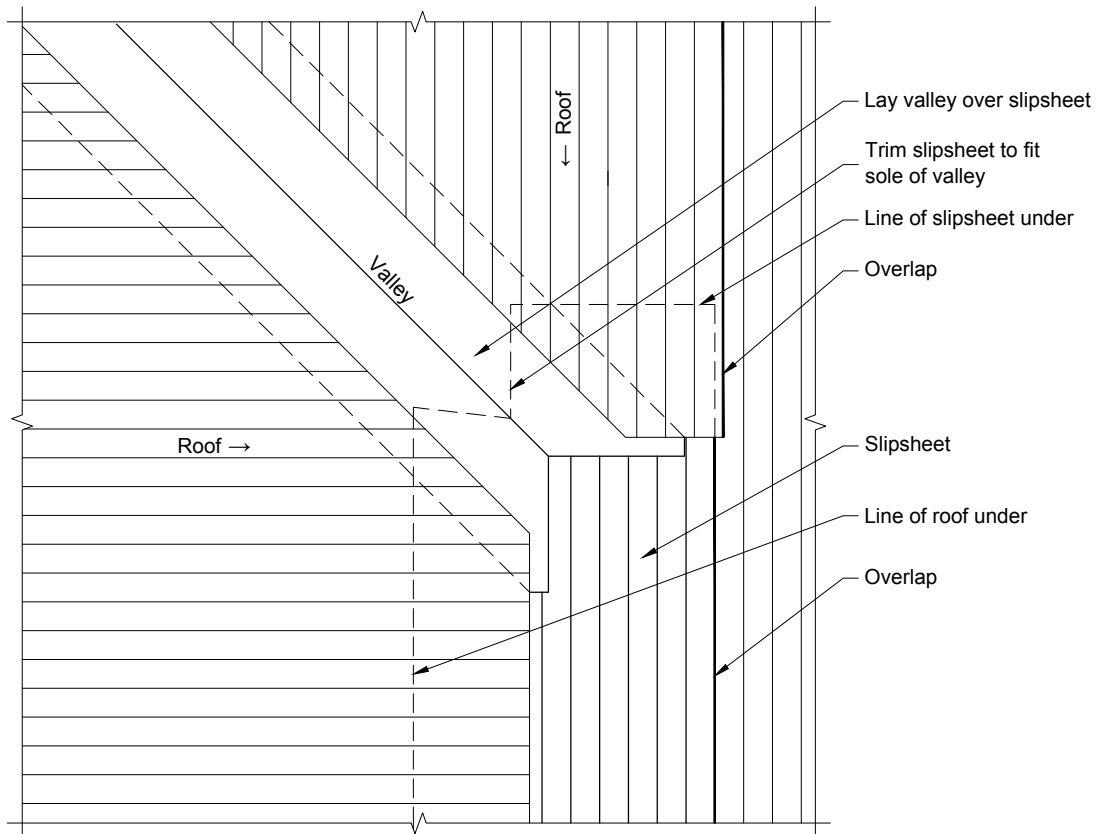


genr_general-auck_175_gutter

General Detail
Auckland 175mm Gutter - Profile Drawing

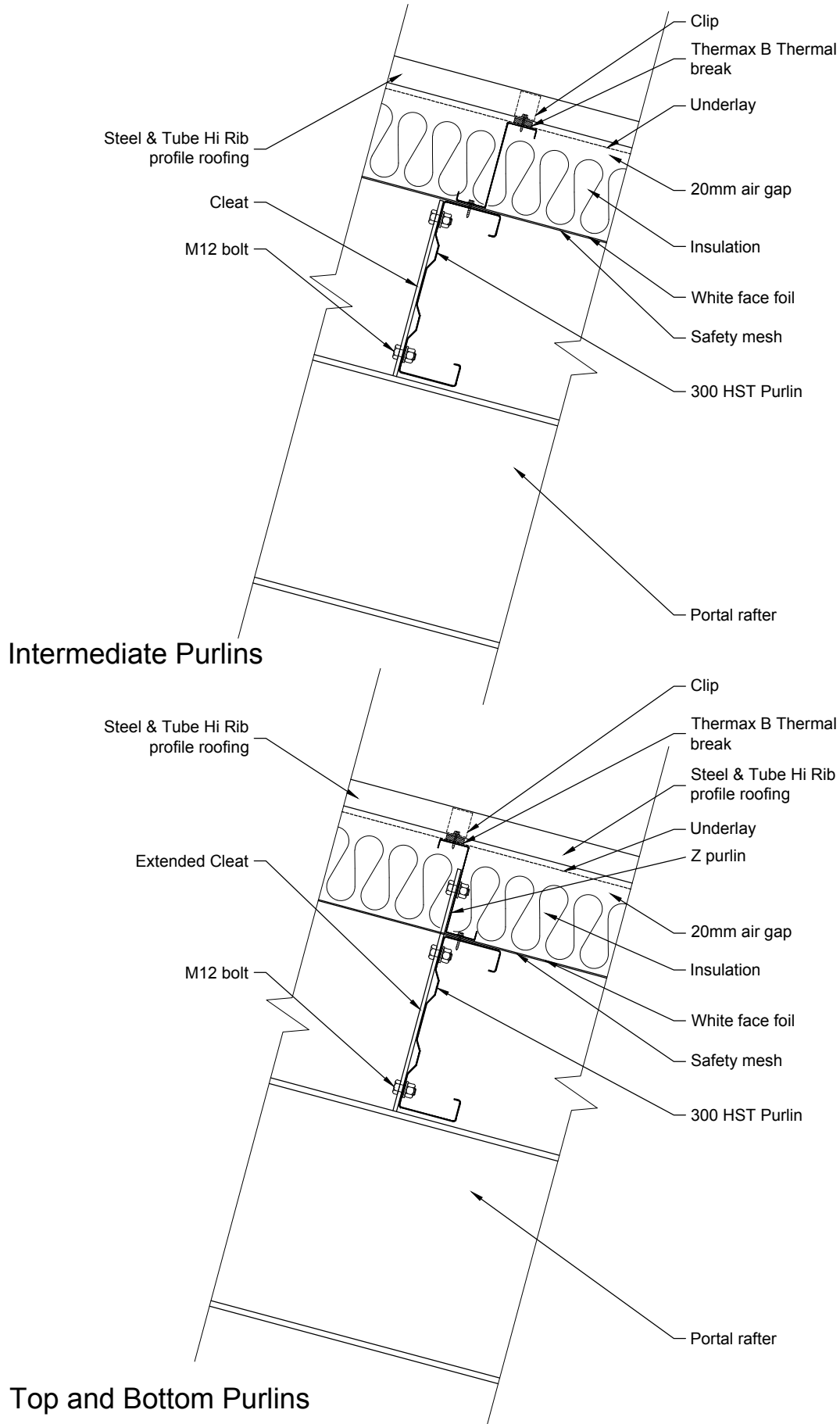
All dimensions in millimetres
Scale 1:2
16/01/12



genr_general-dorm-vall

Ridges and Valleys
Dormer Valley Junction Detail

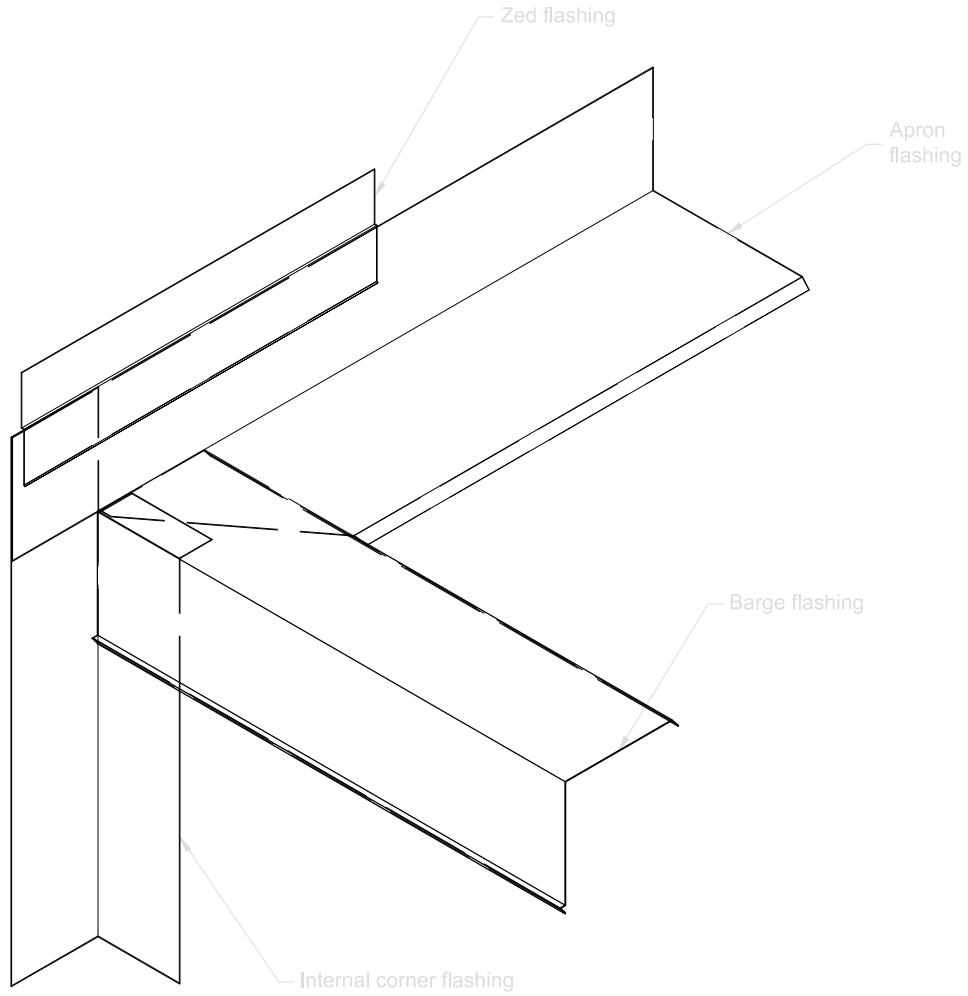
All dimensions in millimetres
Scale 1:10
16/01/12



genr_general-insulated-roof

Commercial Insulation Detail
Genr_general-insulated-roof

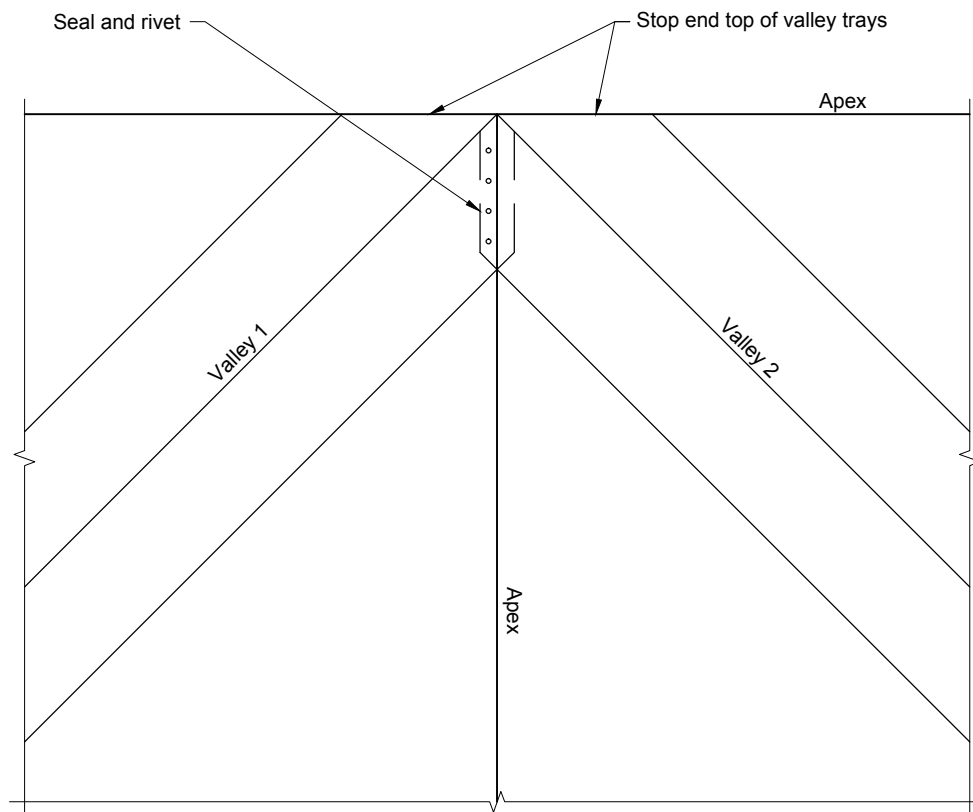
All dimensions in millimetres
Scale 1:10
16/01/12



genr_general-jctn_barge_wall

Barge / Wall Junction Detail
Isometric

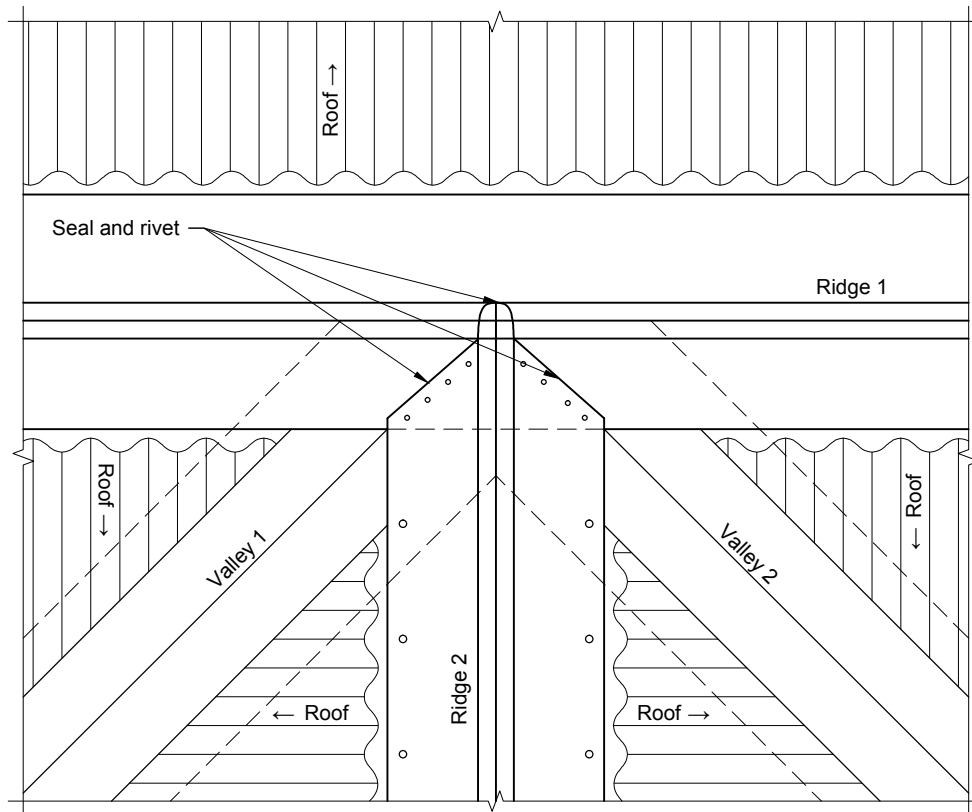
All dimensions in millimetres
Scale 1:5
16/01/12



gener_general-ridge_step1

Ridges and Valleys
Step 1

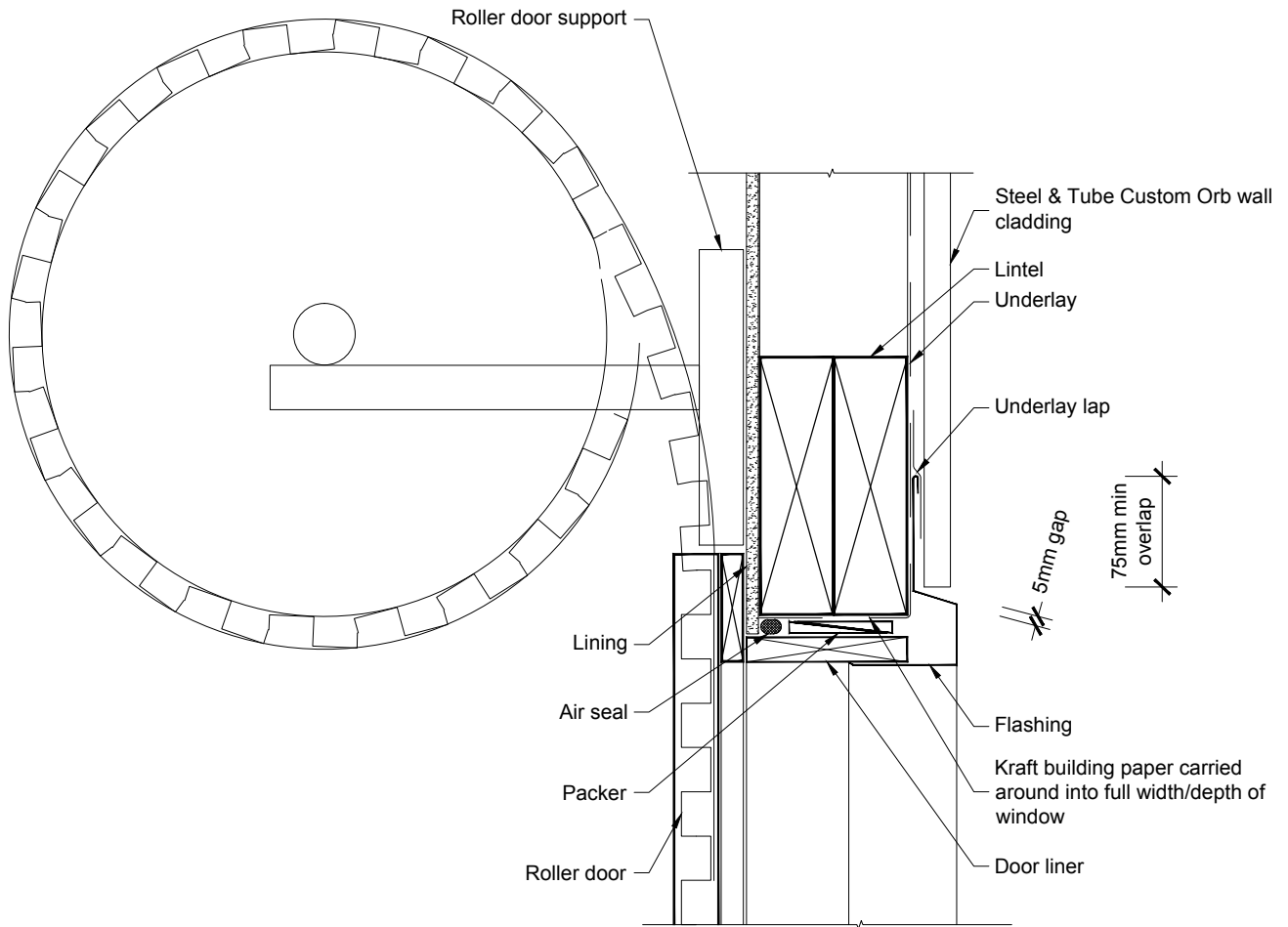
All dimensions in millimetres
Scale 1:10
16/01/12



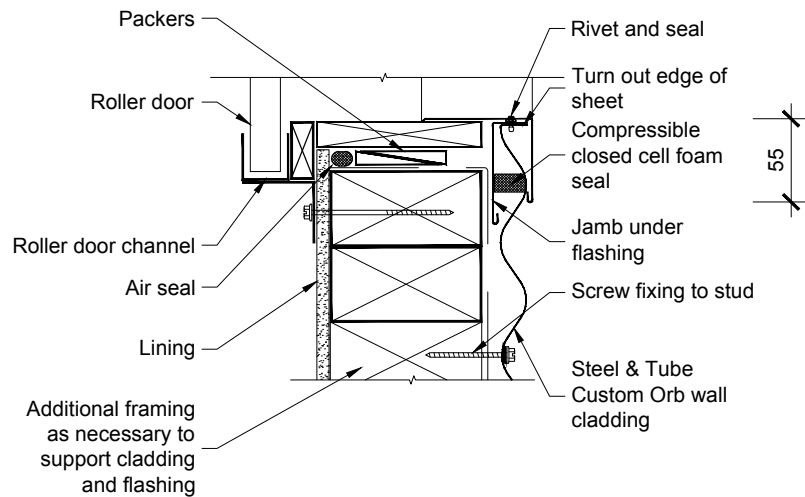
gener_general-ridge_step2

Ridges and Valleys
Step 2

All dimensions in millimetres
Scale 1:10
16/01/12



Head Detail

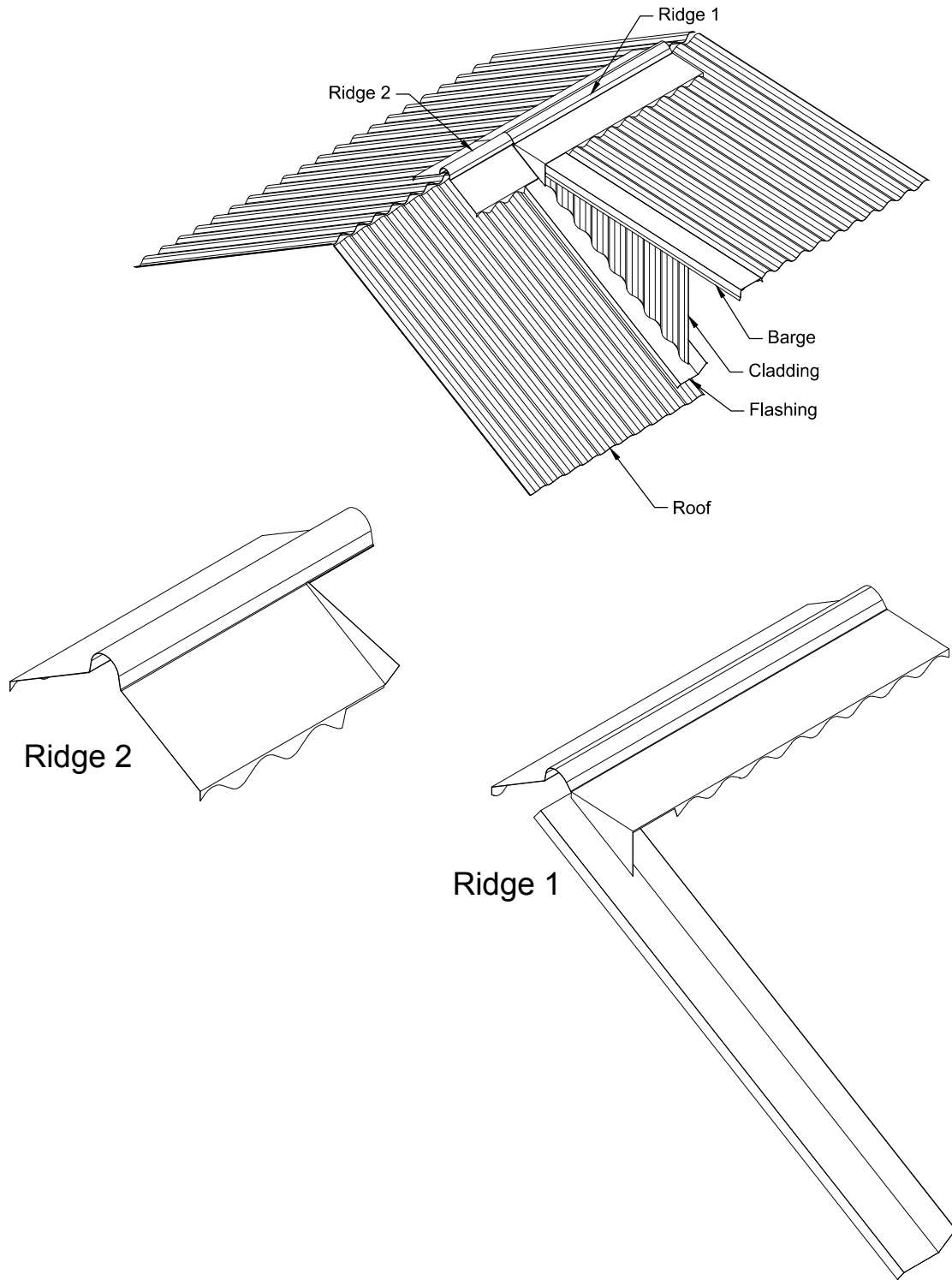


Jamb Detail

genr_general-roll_door

Roller Door Opening Details
Cross Section

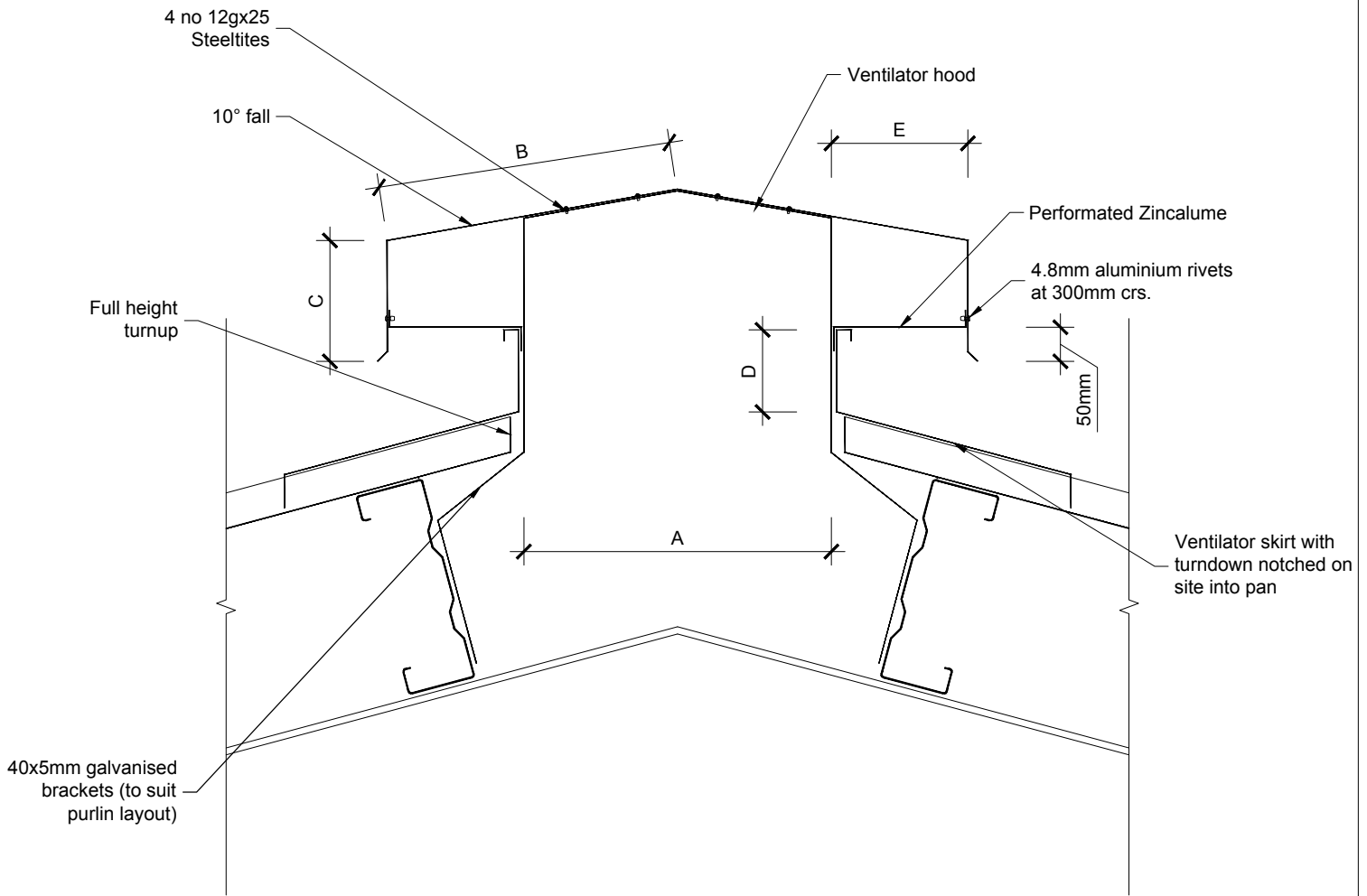
All dimensions in millimetres
Scale 1:5
16/01/12



genr_general-split-pitch

General Detail
Ridge To Split Multiple Pitch Roof

All dimensions in millimetres
Scale 1:20
16/01/12



Dimension Options				
A	B	C	D	E
150	160	60	80	85
300	310	100	100	150
450	430	160	120	200
600	560	250	180	250

genr_general-vent-ridge

General Detail
1:10

All dimensions in millimetres
Scale 1:10
16/01/12