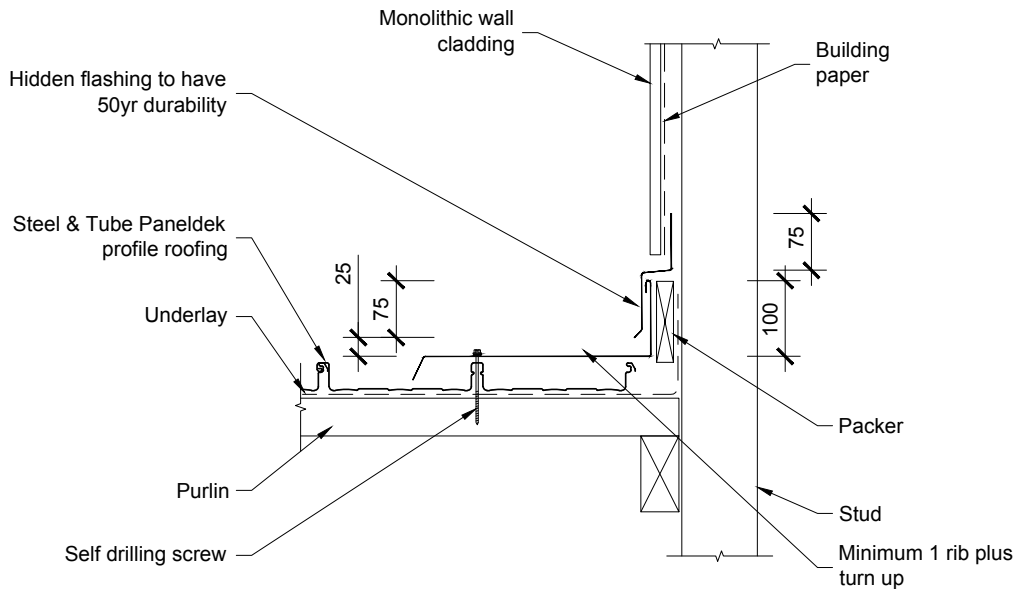


LOW / MEDIUM / HIGH WIND ZONES WHERE PITCH $\geq 10^\circ$

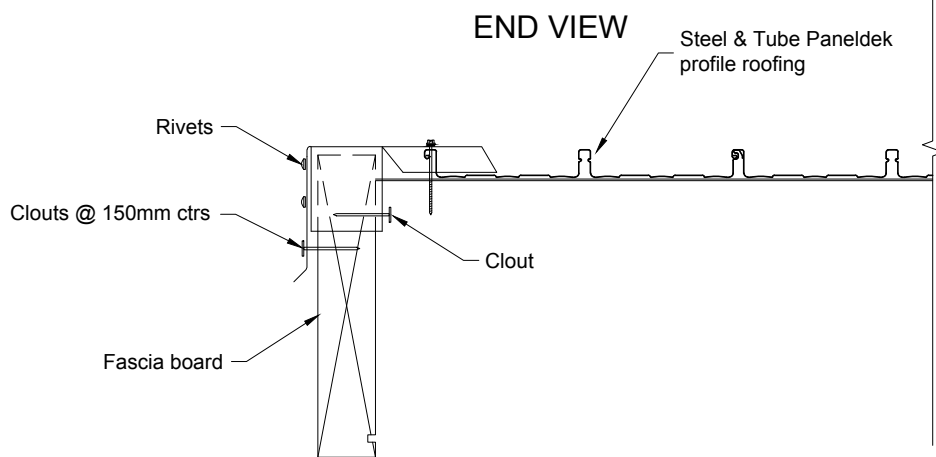
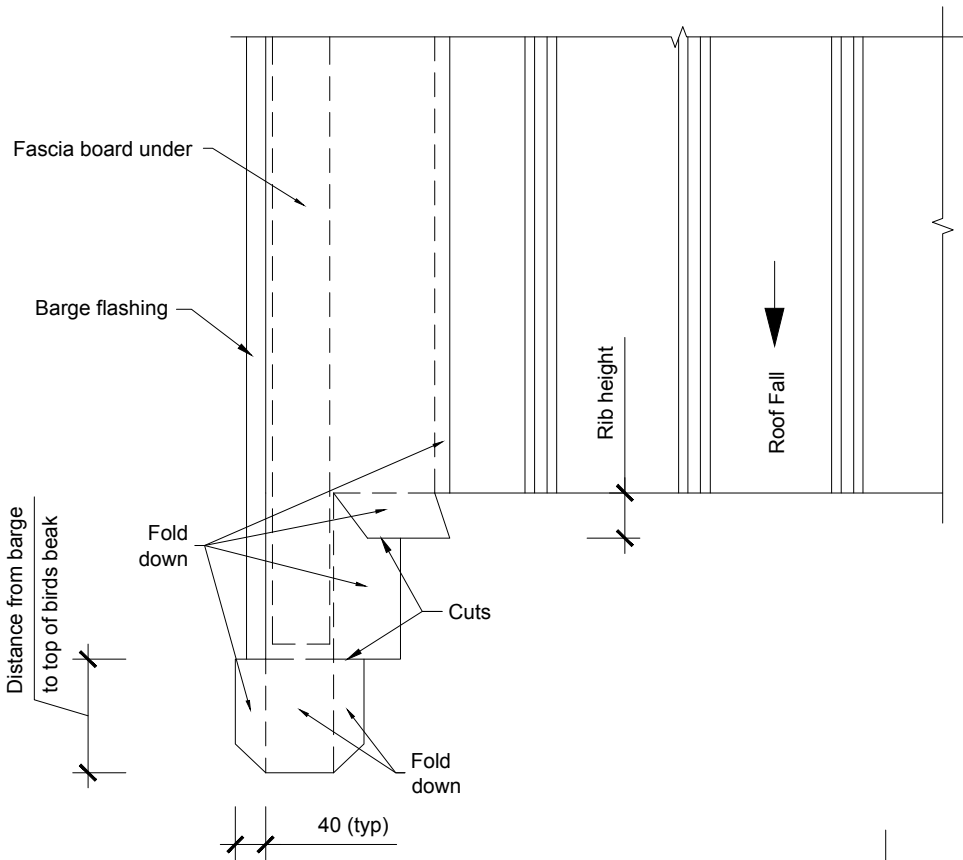


VERY HIGH WIND ZONES WHERE PITCH $\geq 10^\circ$
ALL WIND ZONES WHERE PITCH $< 10^\circ$

ribb_paneldek-apro_flash

Rib Profile Apron Flashing (two Piece)
Cross Section

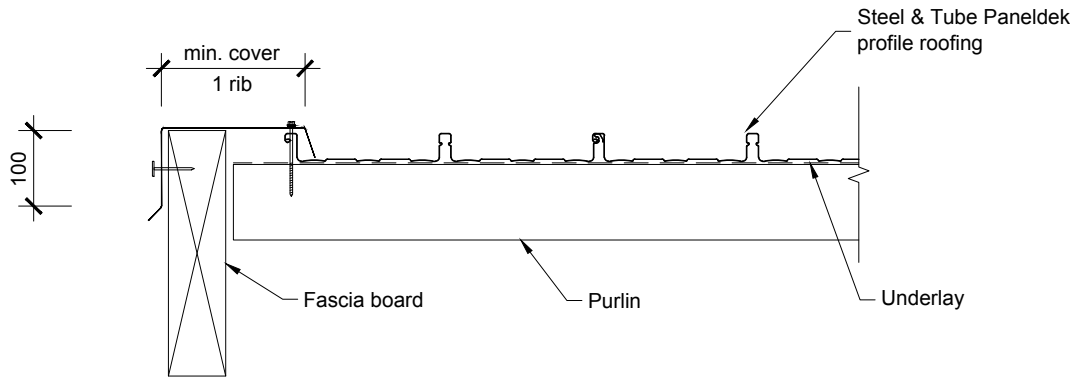
All dimensions in millimetres
Scale 1:10
16/01/12



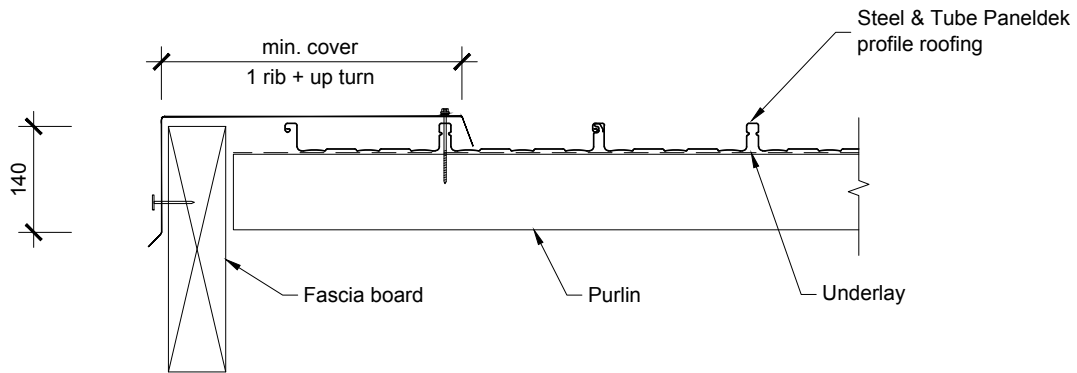
ribb_paneldek-barg_cut

Rib Profile Barge Eaves Detail
Plan View

All dimensions in millimetres
Scale 1:10
16/01/12



LOW / MEDIUM / HIGH WIND ZONES WHERE PITCH $\geq 10^\circ$

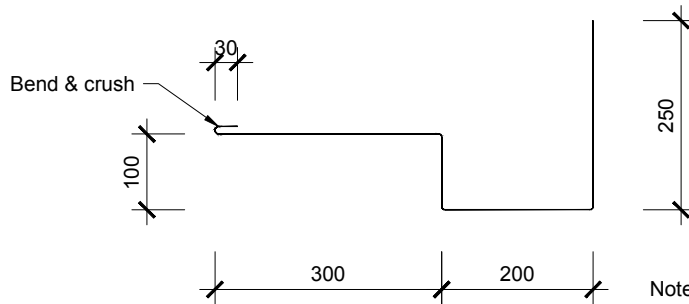
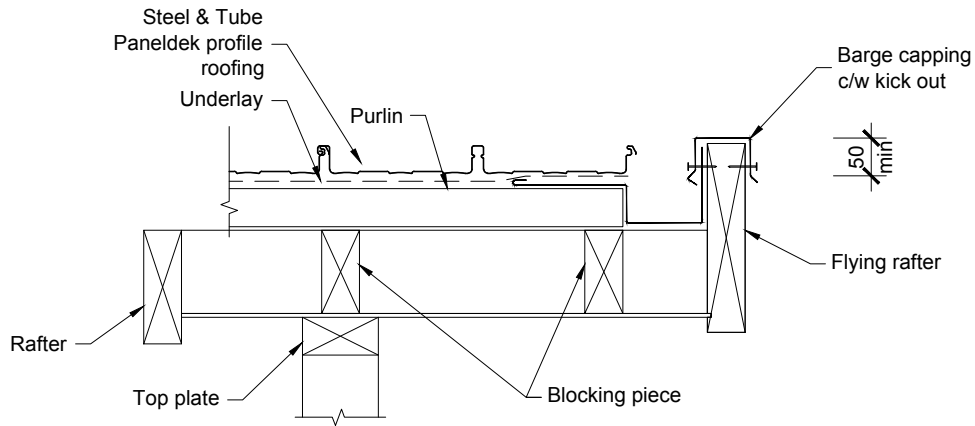


VERY HIGH WIND ZONES WHERE PITCH $\geq 10^\circ$
ALL WIND ZONES WHERE PITCH $< 10^\circ$

ribb_paneldek-barg_flash

Rib Profile Barge Flashing
Cross Section

All dimensions in millimetres
Scale 1:10
16/01/12



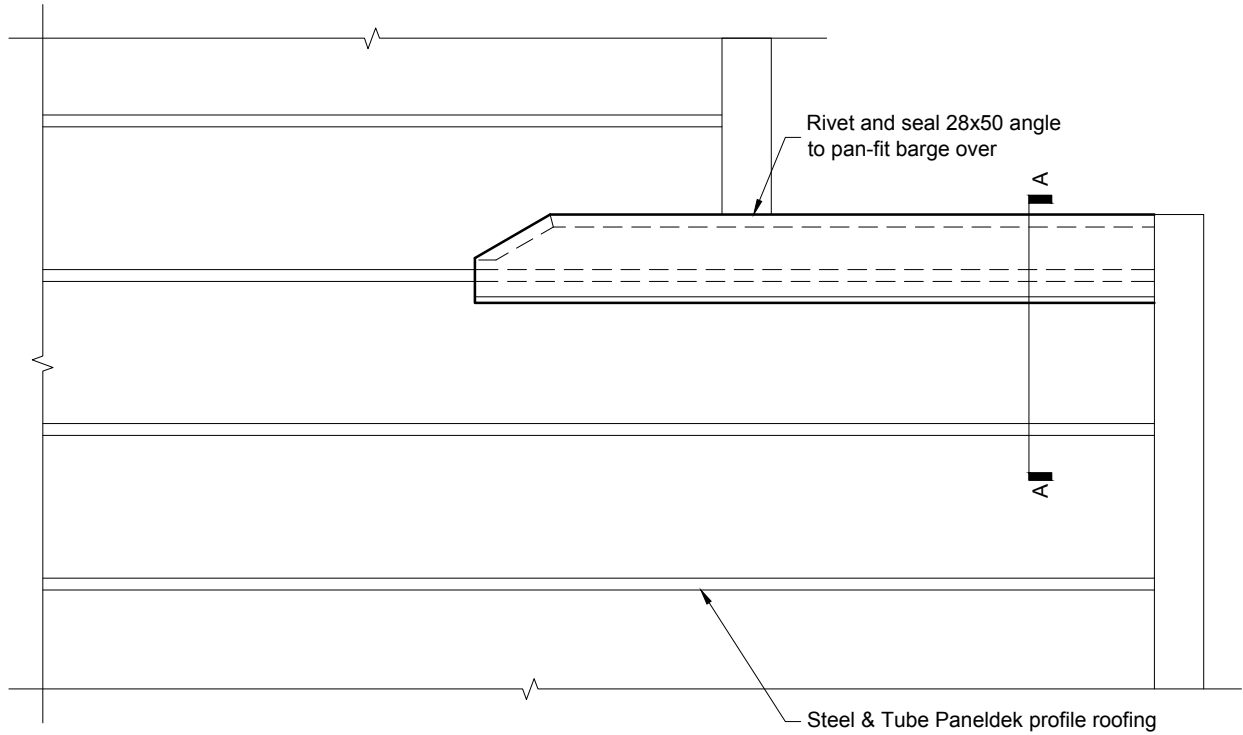
Note:
Cross section area: 5000mm²
Rainwater capacity: 20m² roofing

BARGE GUTTER DETAIL
SCALE: 1:5

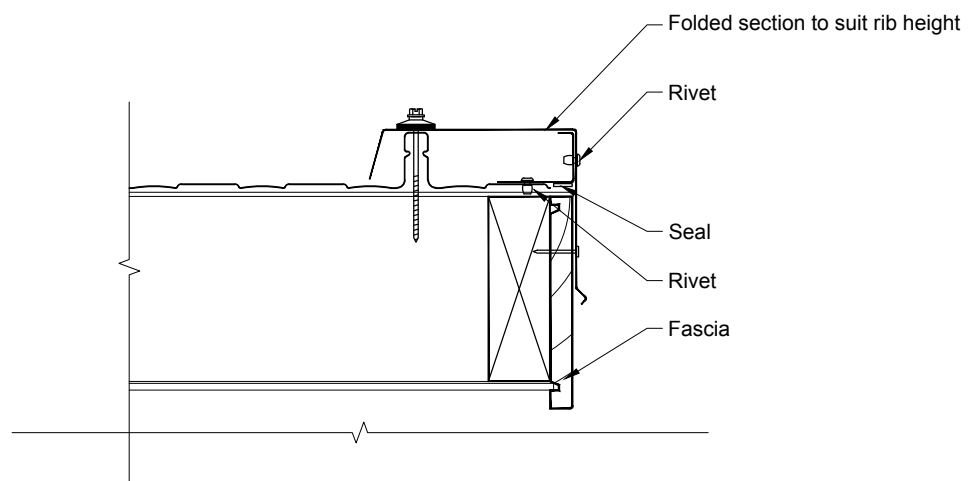
ribb_paneldek-barg_rake

Rib Profile Barge Gutter Raking Barge Or Swiss Gable
Cross Section

All dimensions in millimetres
Scale 1:10
16/01/12



Plan
1:10

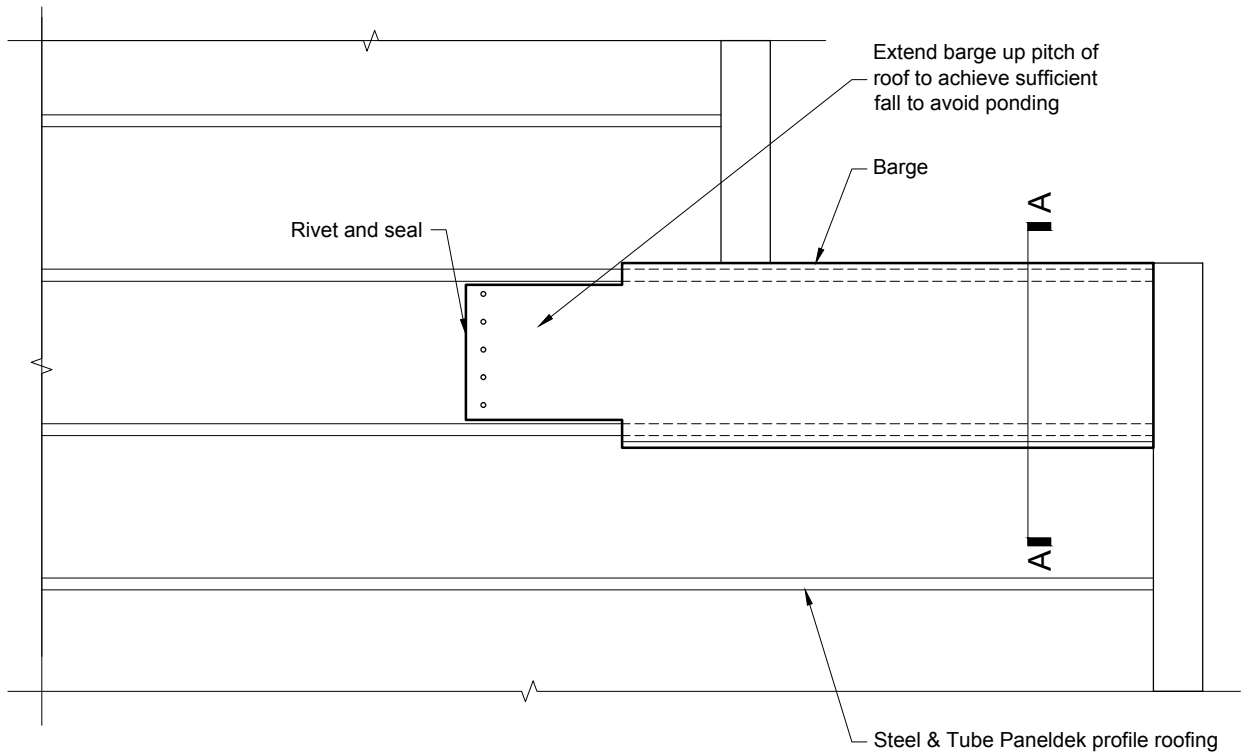


Section AA
1:5

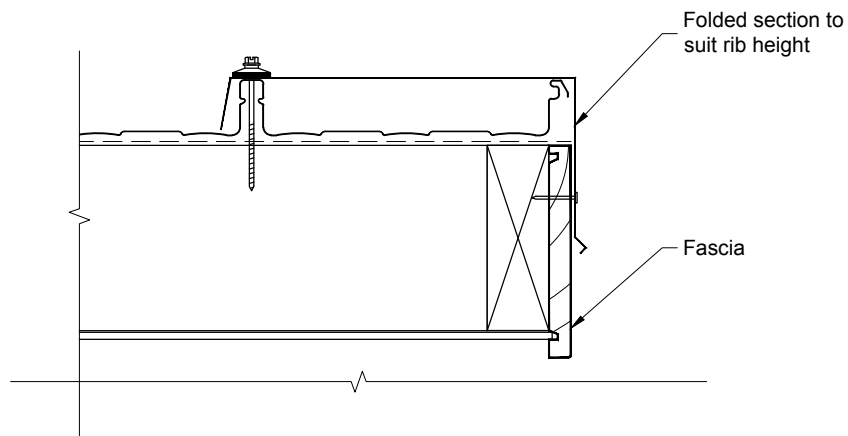
ribb_paneldek-barg_transition

Transition Barge for Rib Profile
Where Rib is Not in Line with Profile

All dimensions in millimetres
Scale 1:10
16/01/12



Section AA
1:10



Section AA
1:5

ribb_paneldek-barg_transition_rib

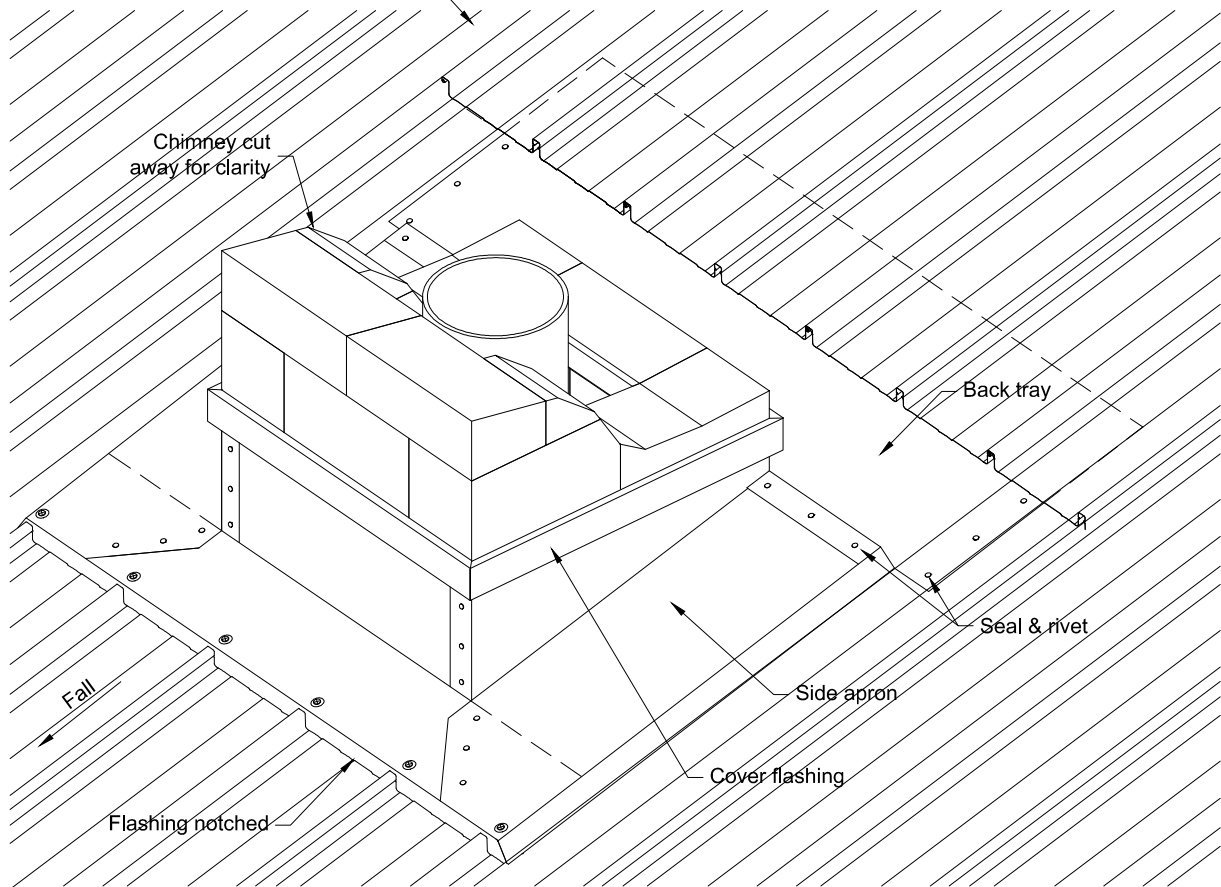
Transition Barge for Rib Profile
Where Rib is In Line with Barge

All dimensions in millimetres
Scale 1:10
16/01/12

Laying Sequence:

1. Notched apron,
2. Side flashing,
3. Back flashing,
4. Cover flashing,
5. Chase cut flashing over all upstands.

Steel & Tube
Paneldek profile
roofing

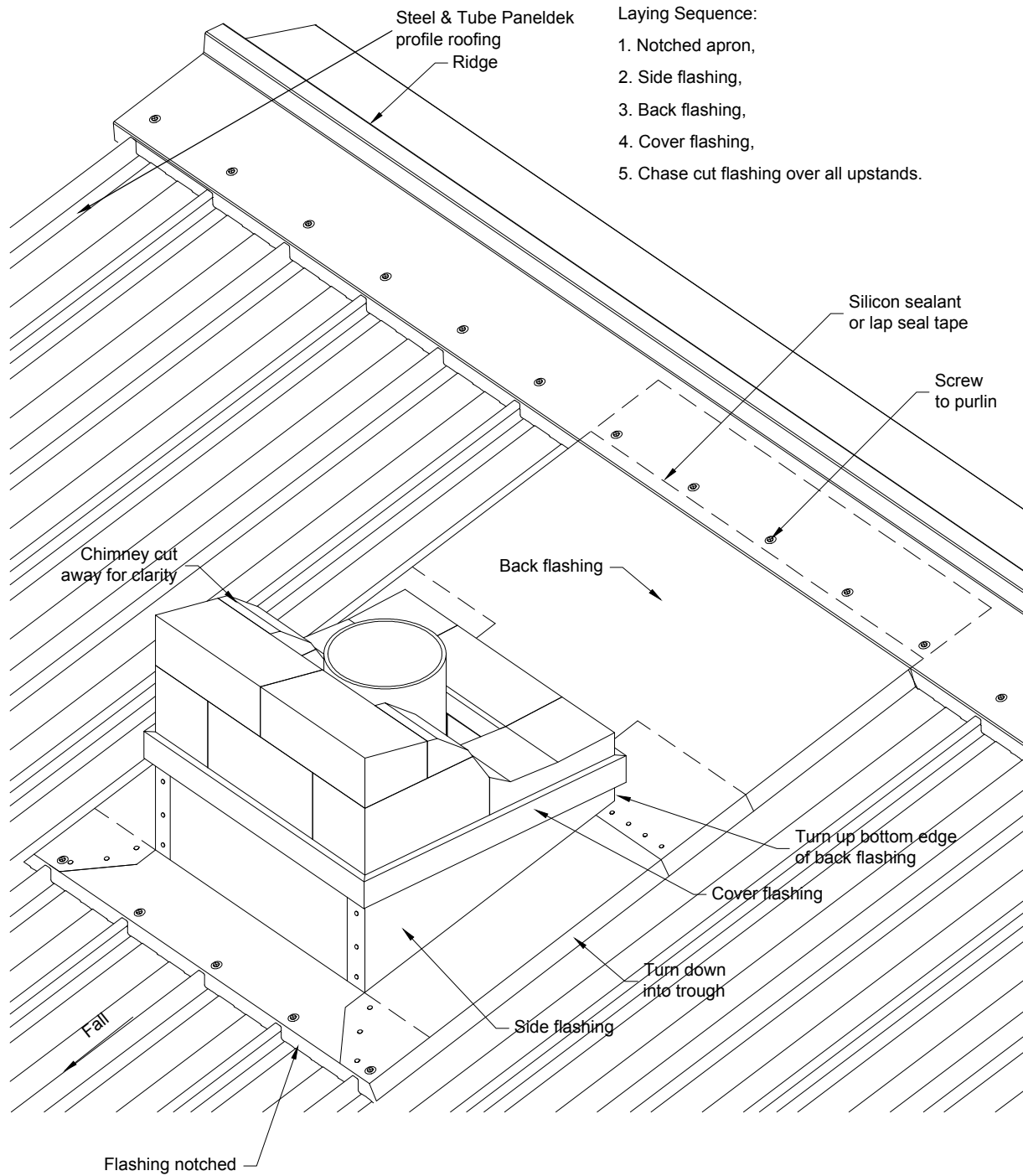


Note:
Use back flashing to ridge where possible.

ribb_paneldek-chim_mid

Rib Profile Chimney Flashing

All dimensions in millimetres
Scale 1:10
16/01/12



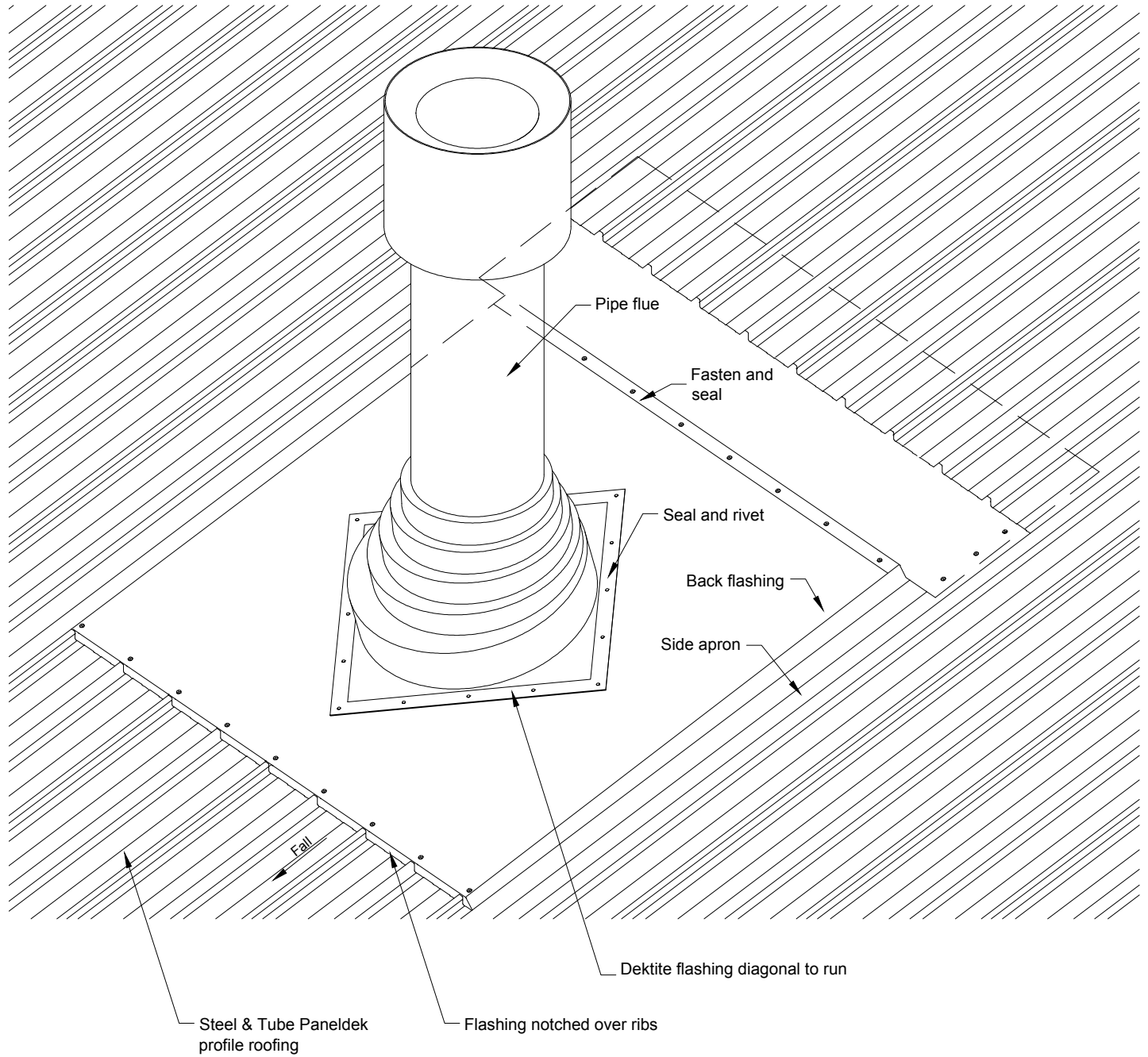
Laying Sequence:

1. Notched apron,
2. Side flashing,
3. Back flashing,
4. Cover flashing,
5. Chase cut flashing over all upstands.

ribb_paneldek-chim_ridge

Rib Profile Chimney Flashing - Back Flashed

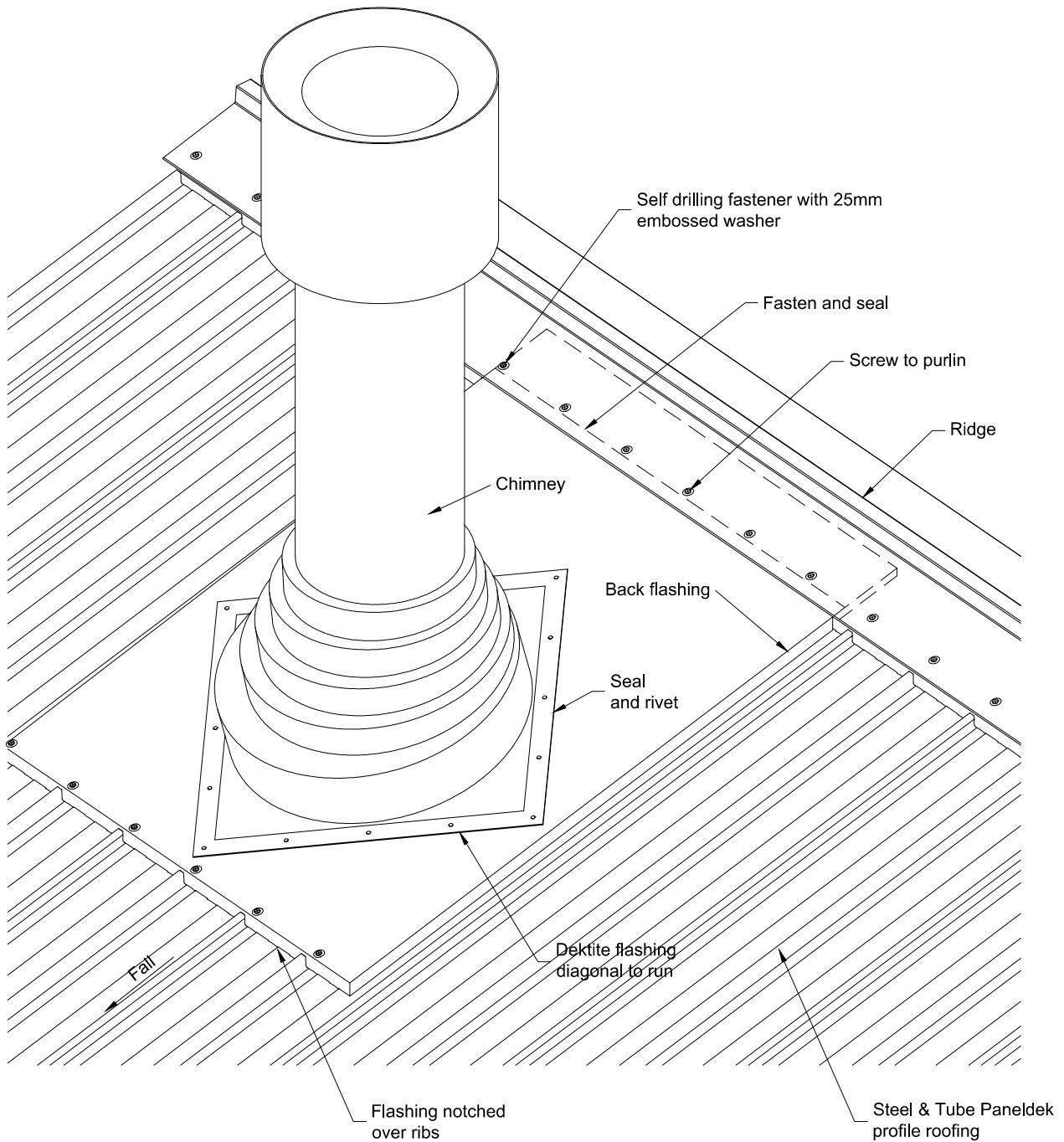
All dimensions in millimetres
Scale 1:10
16/01/12



ribb_paneldek-chim_round_mid

Rib Profile Chimney Flashing - Round Flue
Cross Section

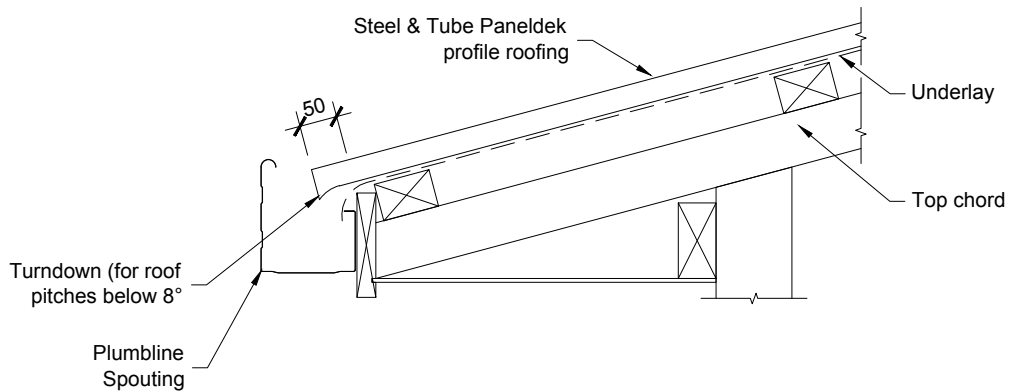
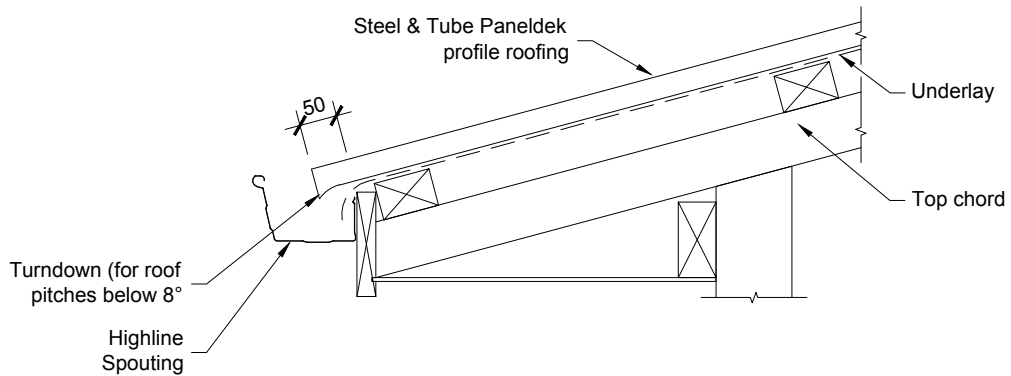
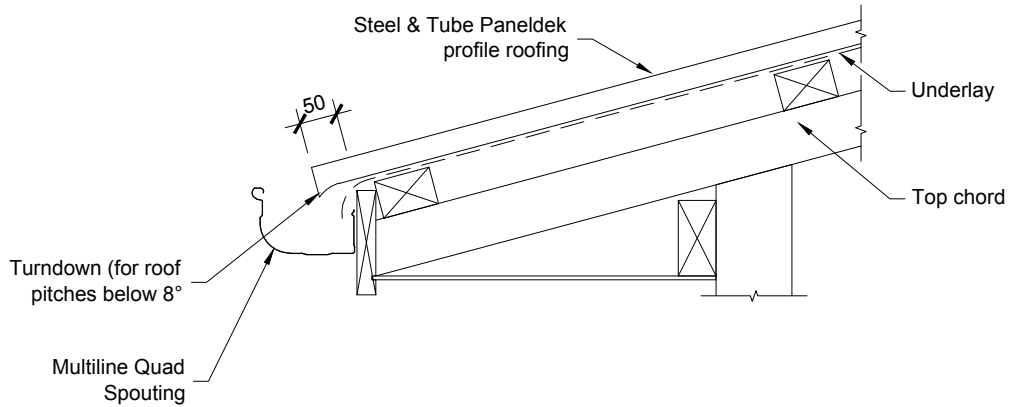
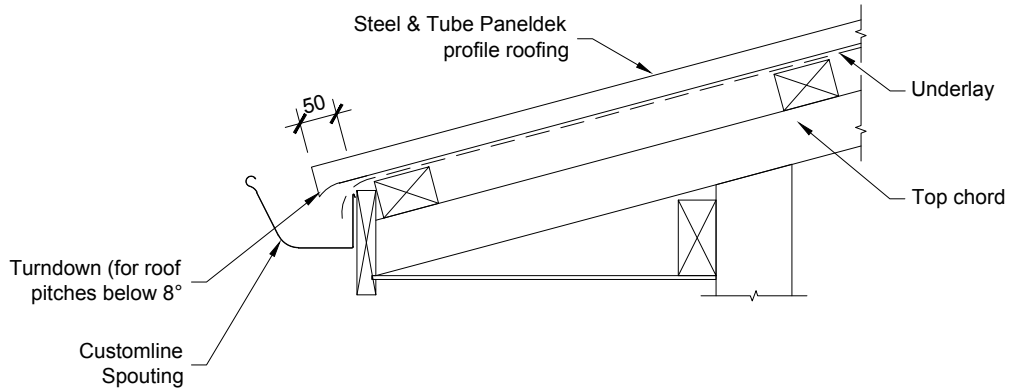
All dimensions in millimetres
Scale 1:12
16/01/12



ribb_paneldek-chim_round_ridge

Rib Profile Chimney Flashing - Round Flue

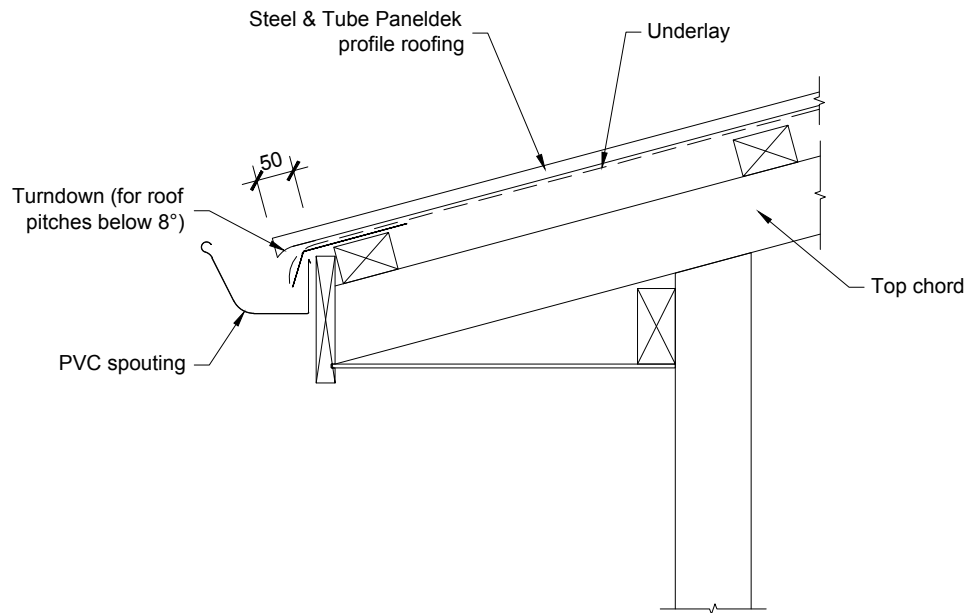
All dimensions in millimetres
Scale 1:10
16/01/12



ribb_paneldek-eave_gutter

Rib Profile Eaves Gutter
Cross Section

All dimensions in millimetres
Scale 1:10
16/01/12

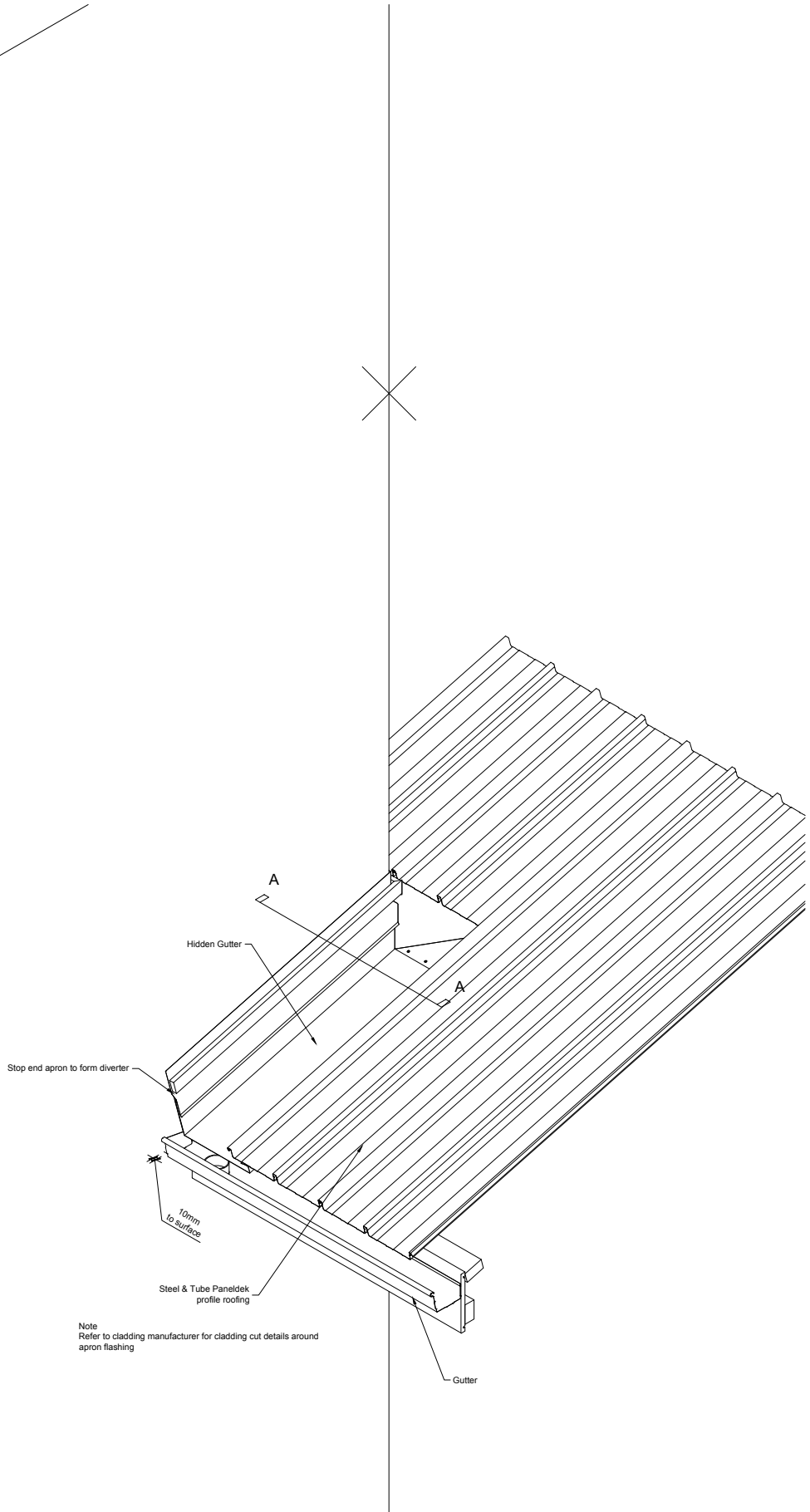


Note:
Eaves flashing required for durability in severe marine conditions where PVC or other low front spouting is used.

ribb_paneldek-eave_severe

Rib Profile Eaves Gutter - Severe Marine Pvc Spouting
Cross Section

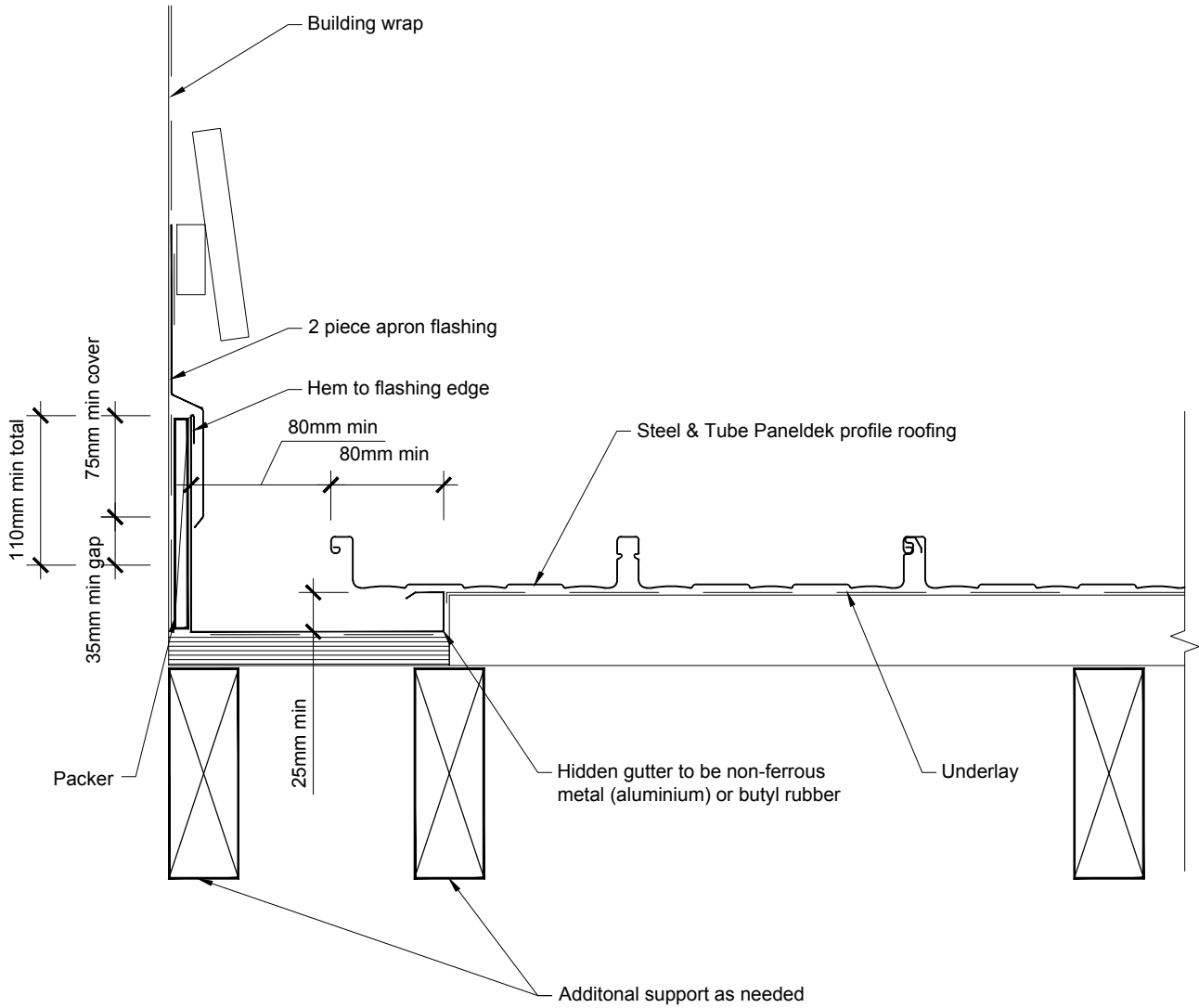
All dimensions in millimetres
Scale 1:10
16/01/12



ribb_paneldek-gutt_hidden

Hidden Gutter
Isometric View

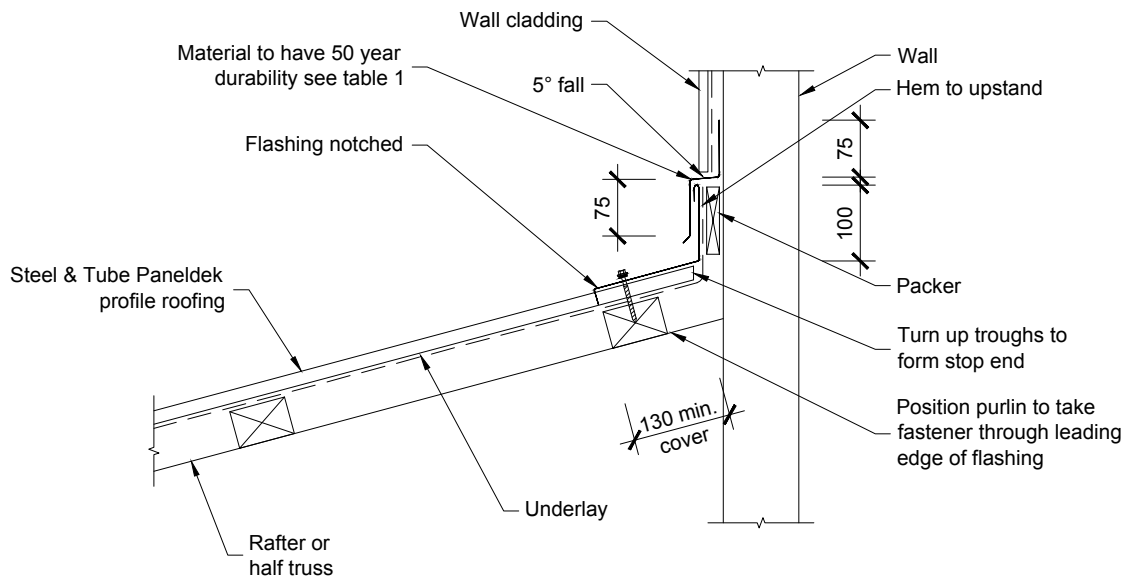
All dimensions in millimetres
Scale 1:20
16/01/12



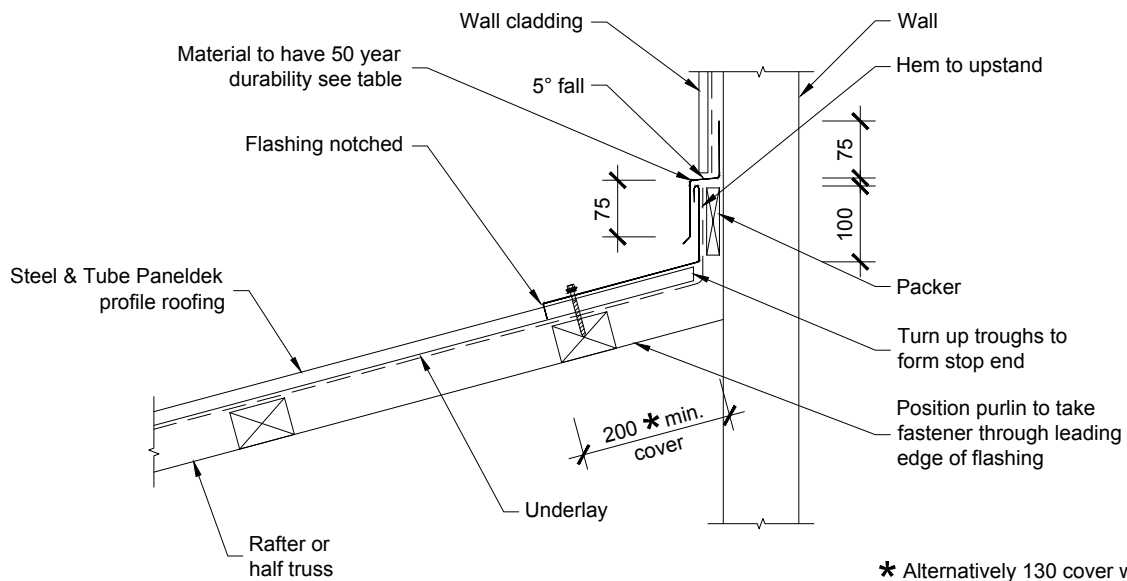
ribb_paneldek-gutt_sect_aa

Hidden Gutter
Section AA

All dimensions in millimetres
Scale 1:5
16/01/12



LOW / MEDIUM / HIGH WIND ZONES WHERE PITCH $\geq 10^\circ$



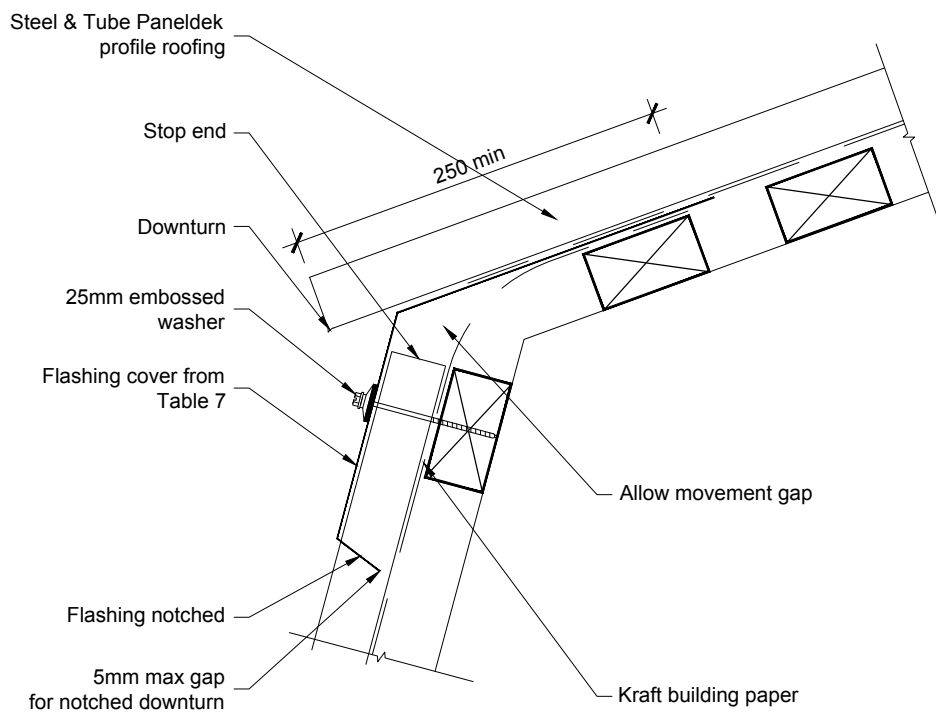
VERY HIGH WIND ZONES WHERE PITCH $\geq 10^\circ$
ALL WIND ZONES WHERE PITCH $< 10^\circ$

* Alternatively 130 cover with addition of profiled foam sealer above purlin line

ribb_paneldek-head_apron

Rib Profile Head Apron Flashing
Cross Section

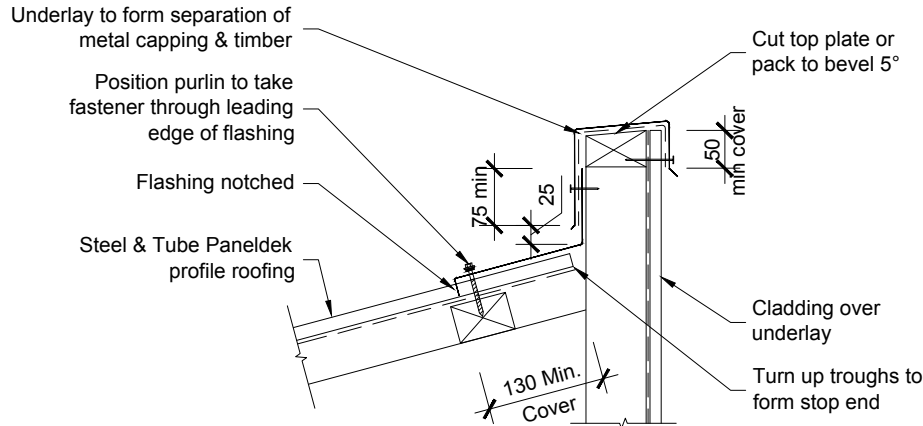
All dimensions in millimetres
Scale 1:10
16/01/12



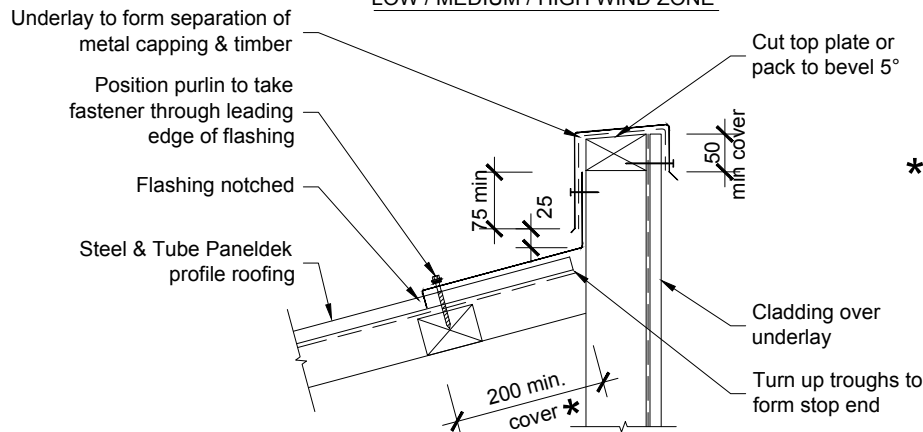
ribb_paneldek-mansard

Mansard Flashing
Cross Section

All dimensions in millimetres
Scale 1:5
16/01/12

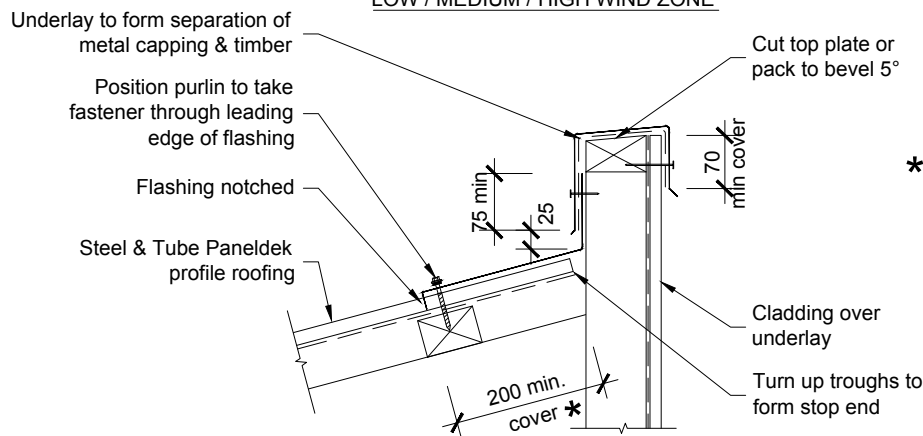


**ROOF PITCH $\geq 10^\circ$
LOW / MEDIUM / HIGH WIND ZONE**



**ROOF PITCH $< 10^\circ$
LOW / MEDIUM / HIGH WIND ZONE**

* Alternatively 130 cover with addition of profiled foam sealer above purlin line



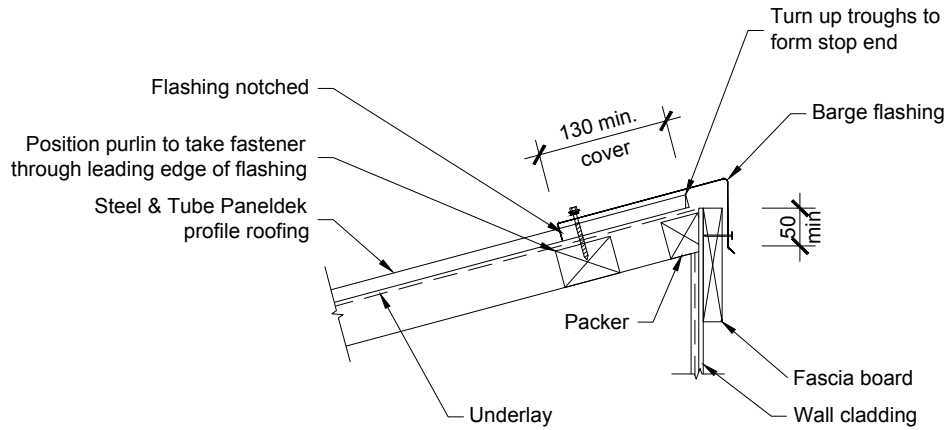
**ALL PITCHES
VERY HIGH WIND ZONE**

* Alternatively 130 cover with addition of profiled foam sealer above purlin line

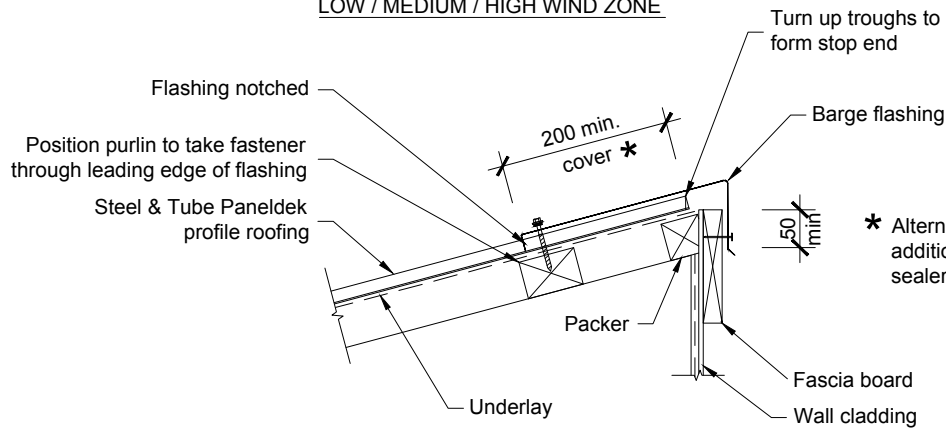
ribb_paneldek-parapet

**Rib Profile Head Parapet Flashing
Cross Section**

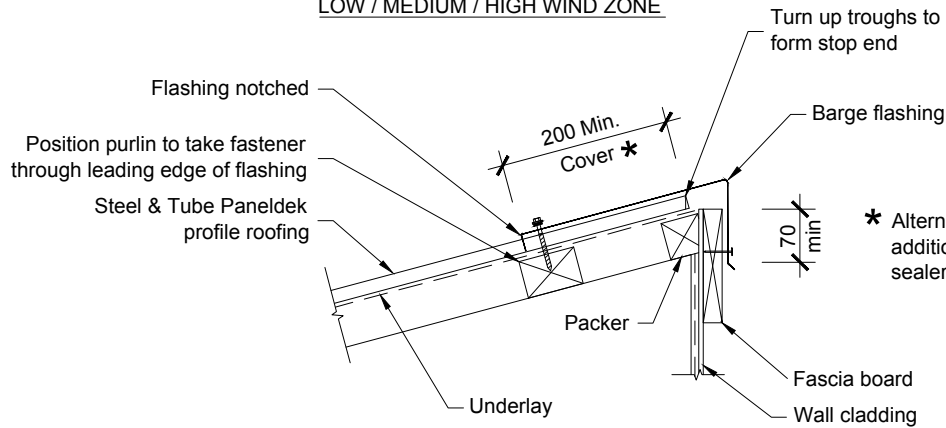
All dimensions in millimetres
Scale 1:10
16/01/12



ROOF PITCH $\geq 10^\circ$
LOW / MEDIUM / HIGH WIND ZONE



ROOF PITCH $< 10^\circ$
LOW / MEDIUM / HIGH WIND ZONE

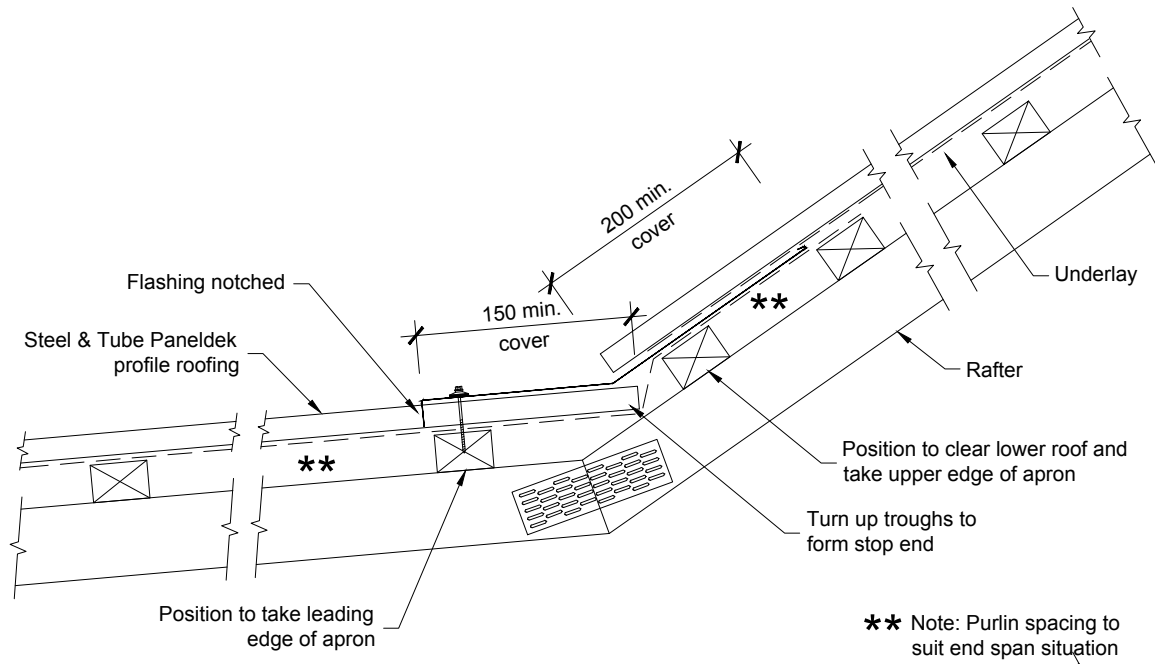


ALL PITCHES
VERY HIGH WIND ZONE

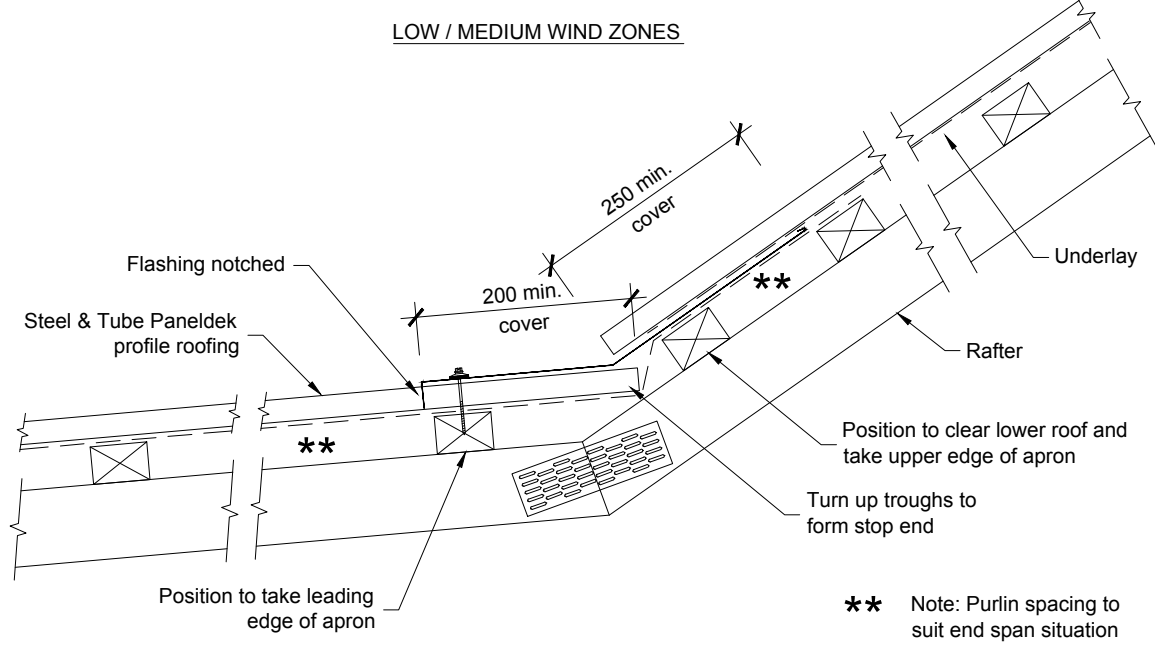
ribb_paneldek-roof_head_flash

Rib Profile Head Barge Flashing
Cross Section

All dimensions in millimetres
Scale 1:10
16/01/12



LOW / MEDIUM WIND ZONES

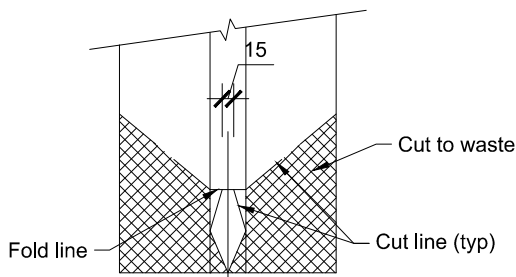
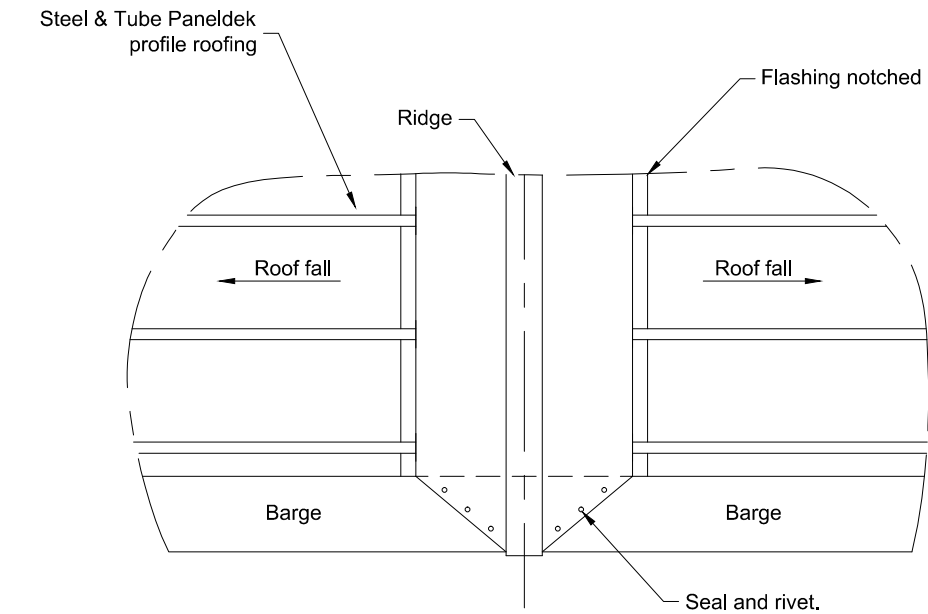


HIGH / VERY HIGH WIND ZONES

ribb_paneldek-roof_pitch_chg

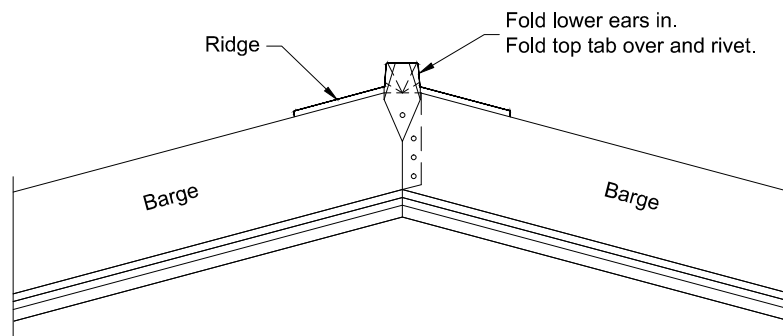
Rib Profile Change Of Pitch
Cross Section

All dimensions in millimetres
Scale 1:10
16/01/12



**DETAIL
RIDGE END CUT**

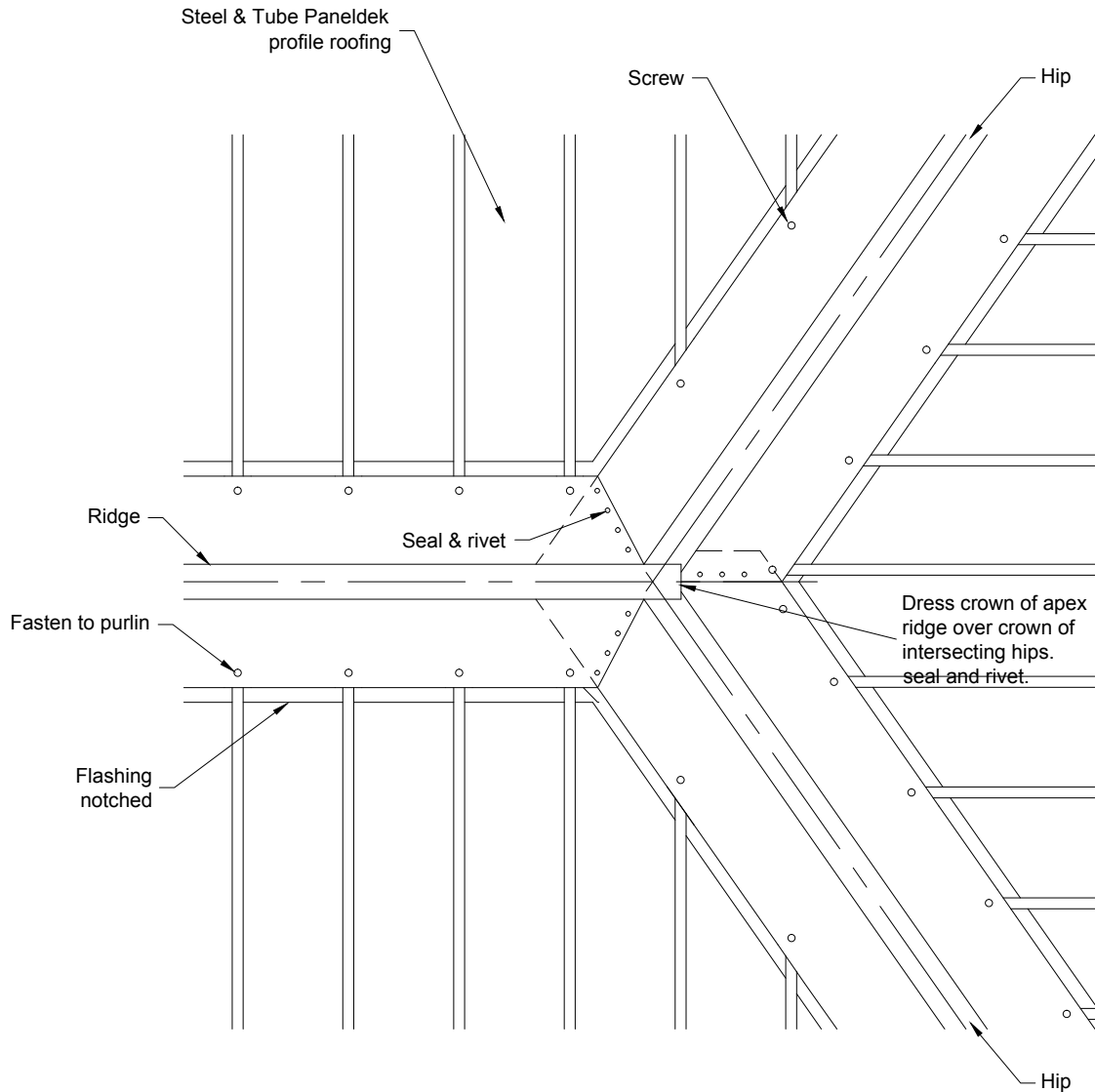
END VIEW



ribb_paneldek-roof_ridge_cut

**Rib Profile Ridge Cut Detail
Plan View**

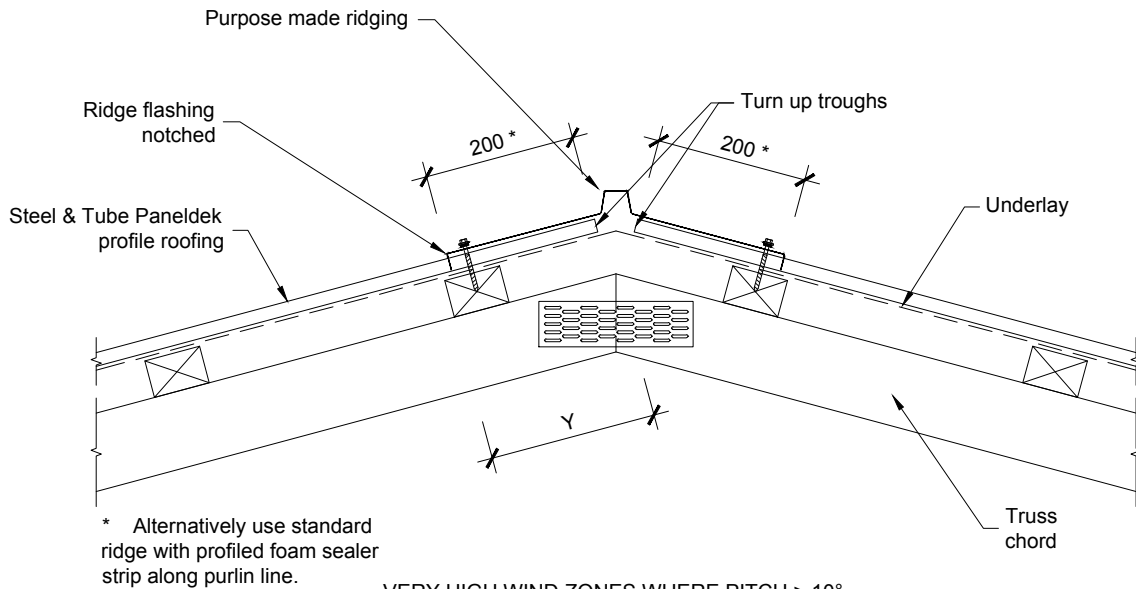
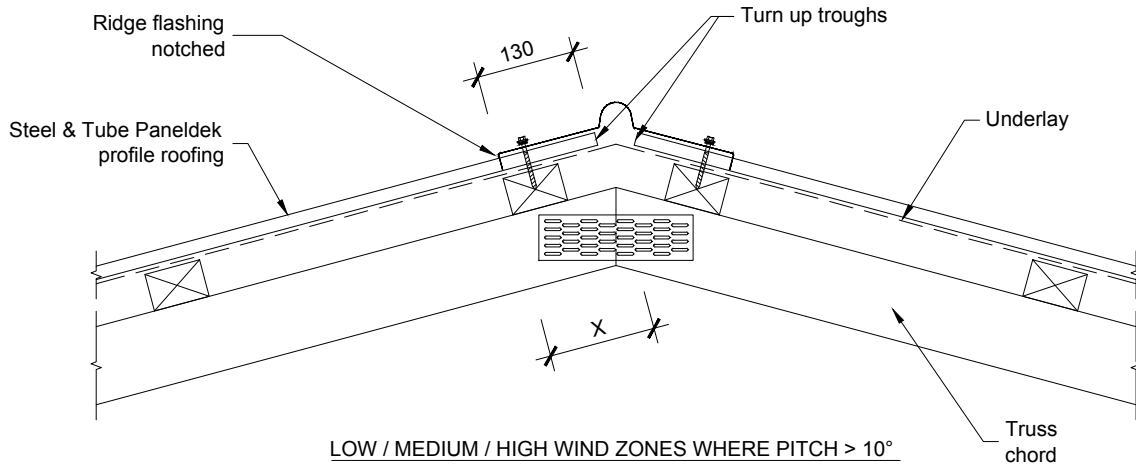
All dimensions in millimetres
Scale 1:10
16/01/12



ribb_paneldek-roof_ridge_hip

Rib Profile Hip Junction
Plan View

All dimensions in millimetres
Scale 1:10
16/01/12



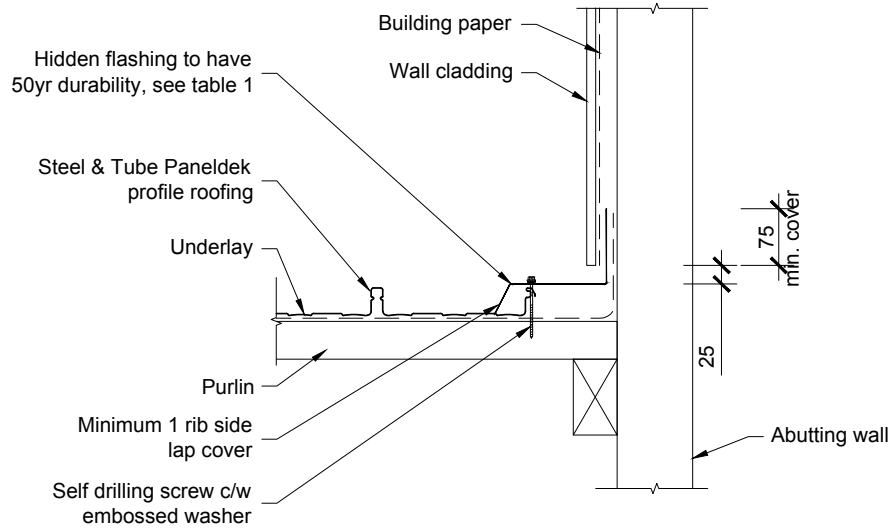
Roof Pitch	8	10	15	20	25	30	35	45
Dimension X mm	168	167	162	156	150	143	134	115
Dimension Y mm	218	217	212	206	200	193	184	165

For standard ridge using ex 50mm purlins on flat

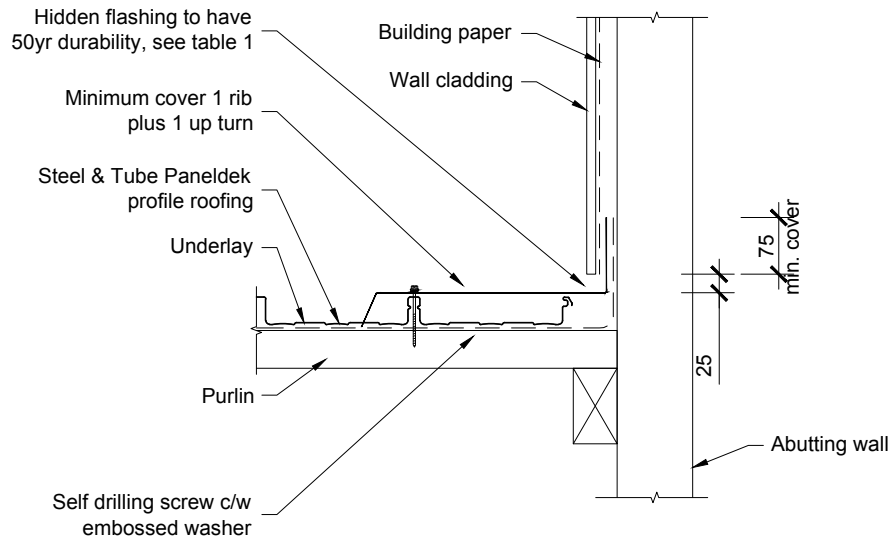
ribb_paneldek-roof_ridge

**Rib Profile Ridge Apex
Cross Section**

All dimensions in millimetres
Scale 1:10
16/01/12



LOW / MEDIUM / HIGH WIND ZONES WHERE PITCH $\geq 10^\circ$

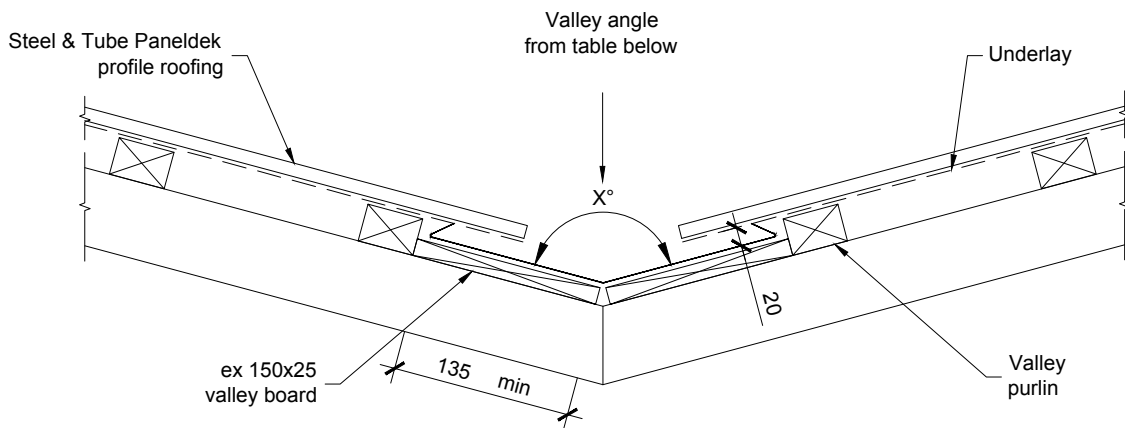


VERY HIGH WIND ZONES WHERE PITCH $\geq 10^\circ$
ALL WIND ZONES WHERE PITCH $< 10^\circ$

ribb_paneldek-side_flash

Rib Profile Side Flashing To Parallel Wall (abutment Flashing)
Cross Section

All dimensions in millimetres
Scale 1:10
16/01/12



Valley Angles and Catchments

Roof Pitch	<8°	8°	10°	15°	20°	25°	30°	35°	45°
Valley Angle	Varies	169	166	159	152	145	139	132	120
Maximum Catchment	*	20m ²	26m ²	27m ²	35m ²	43m ²	52m ²	63m ²	75m ²

* For degrees below 8° and larger catchments design as internal gutter in accordance with E1/AS1 figure 16.

ribb_paneldek-valley

Rib Profile Valley
Cross Section

All dimensions in millimetres
Scale 1:10
16/01/12