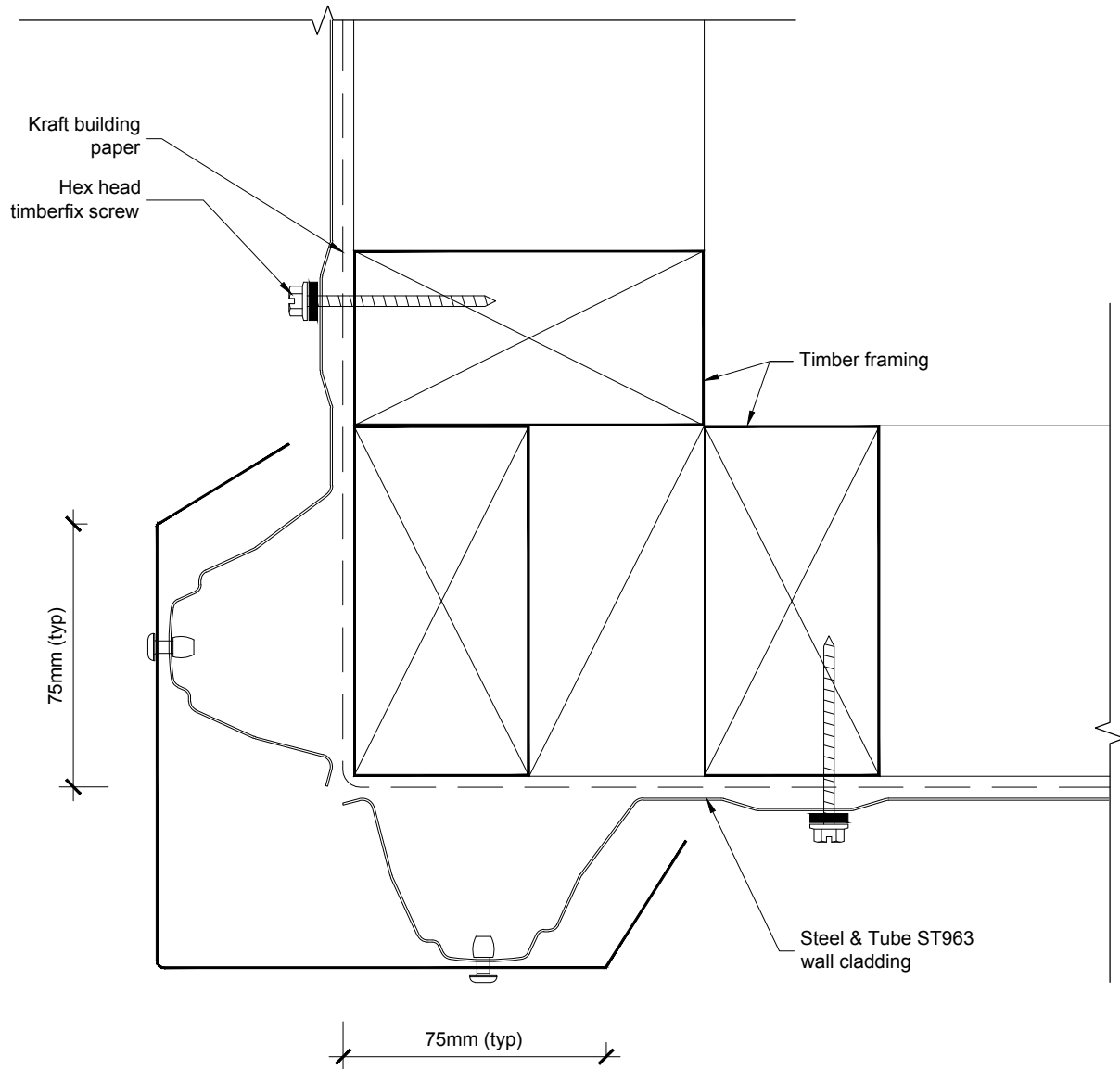


vrib_ST963-barg_flush

Flush Barge For Vertical Rib Profile
Cross Section

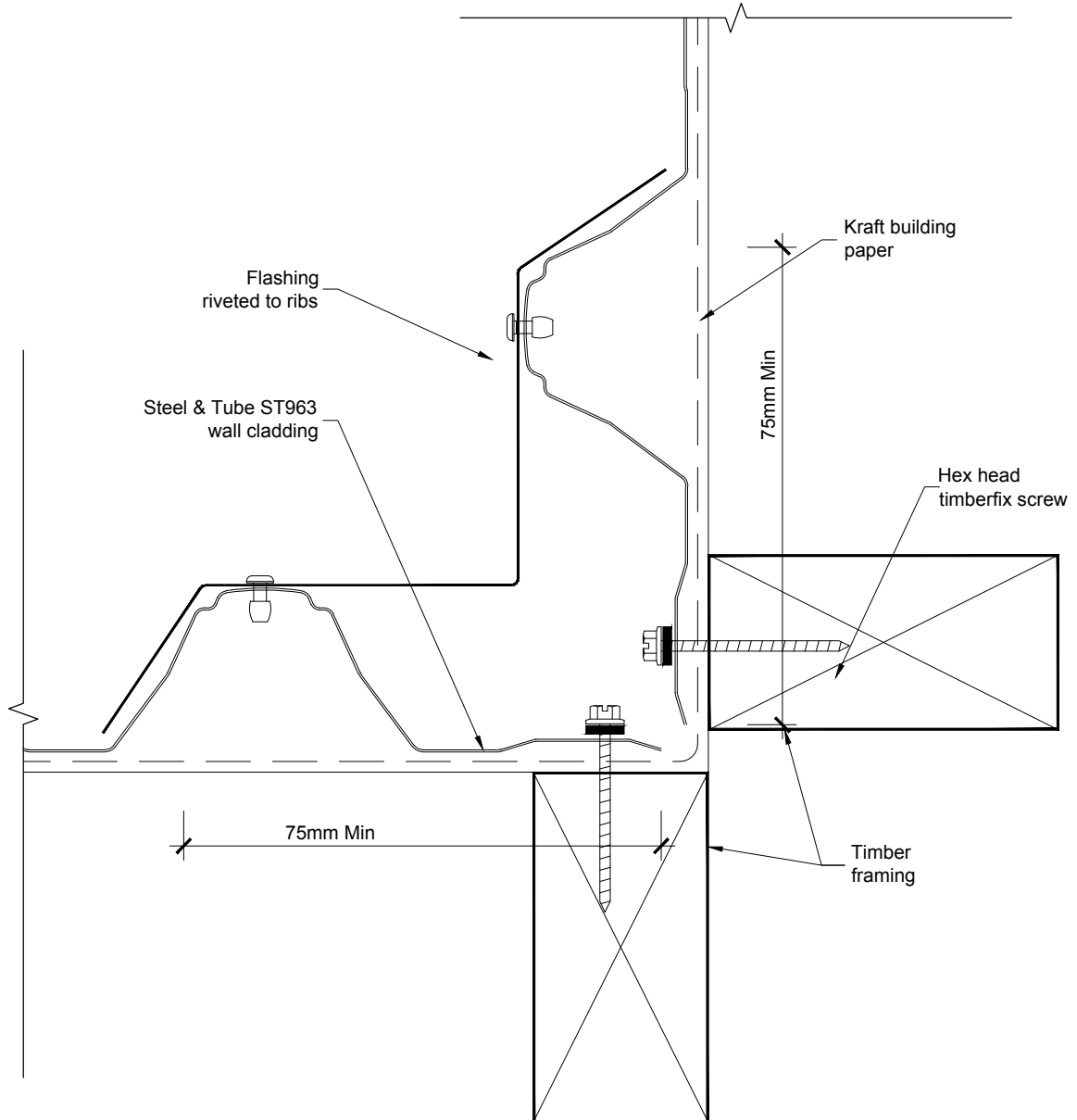
All dimensions in millimetres
Scale 1:2
03/04/12



vrib_ST963-corn_ext

Corner Flashing For Vertical Rib Profile
Cover Flashed External Corner

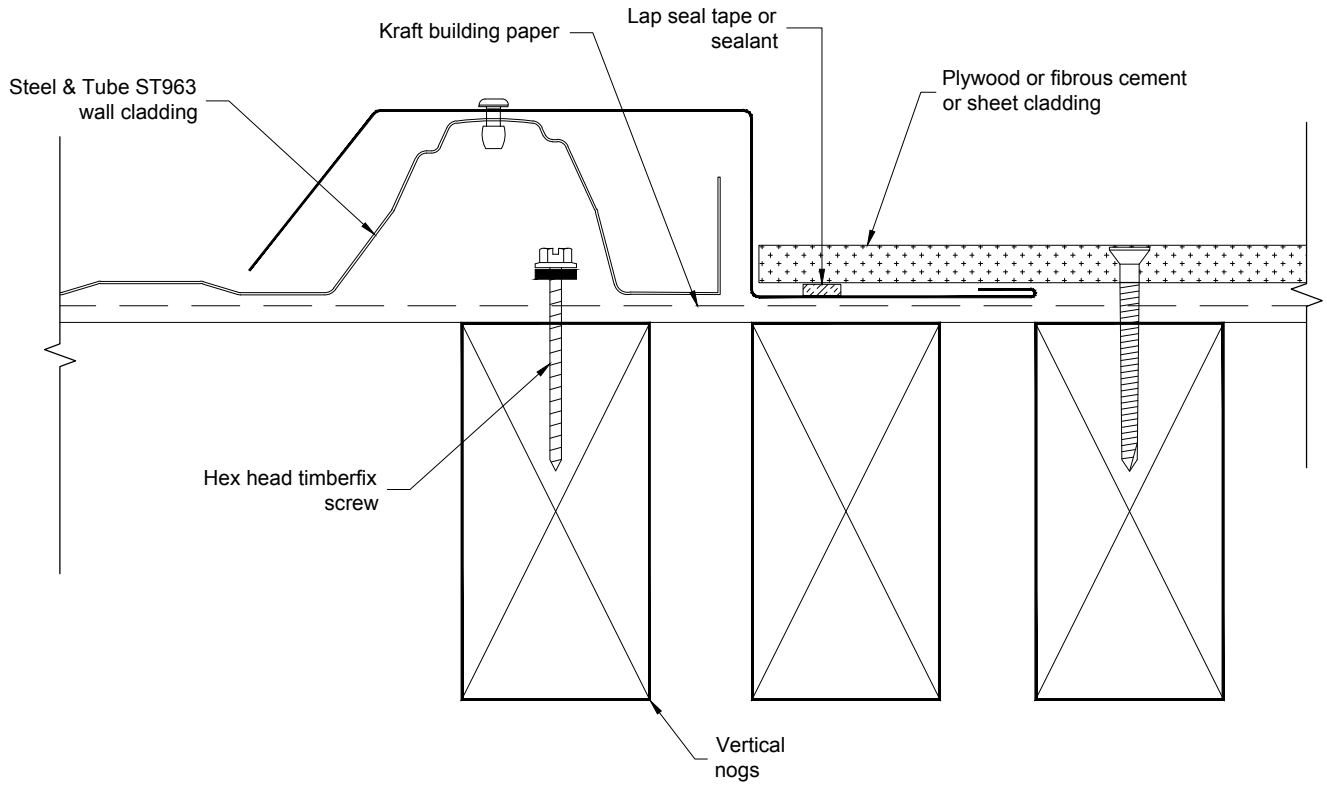
All dimensions in millimetres
Scale 1:2
03/04/12



vrib_ST963-corn_int

Internal Corner For Vertical Rib Profile
Cross Section

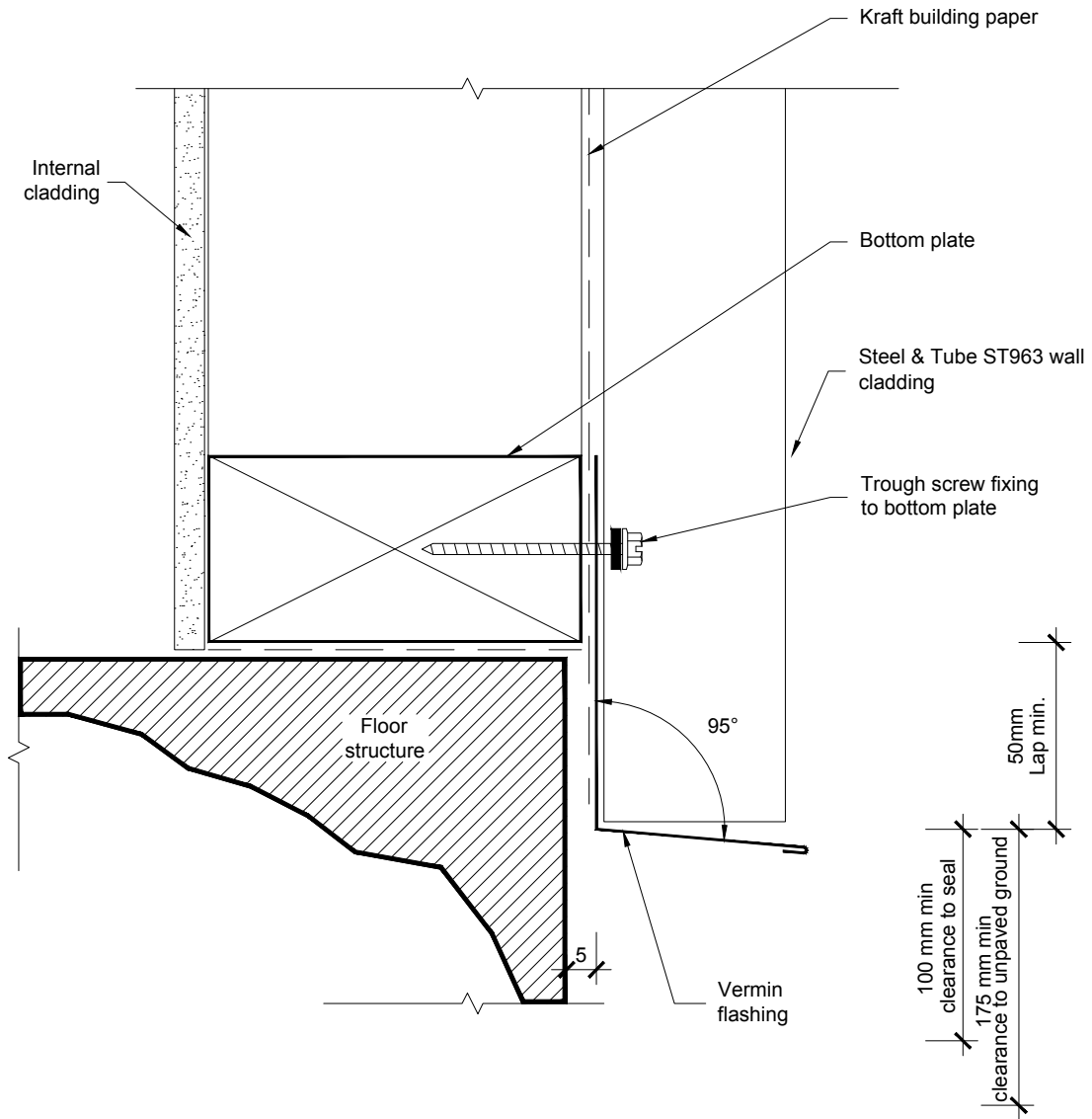
All dimensions in millimetres
Scale 1:2
03/04/12



vrib_st963-jctn_vert_but

Vertical Butt Joint (for Changes In Cladding Material)
Plan

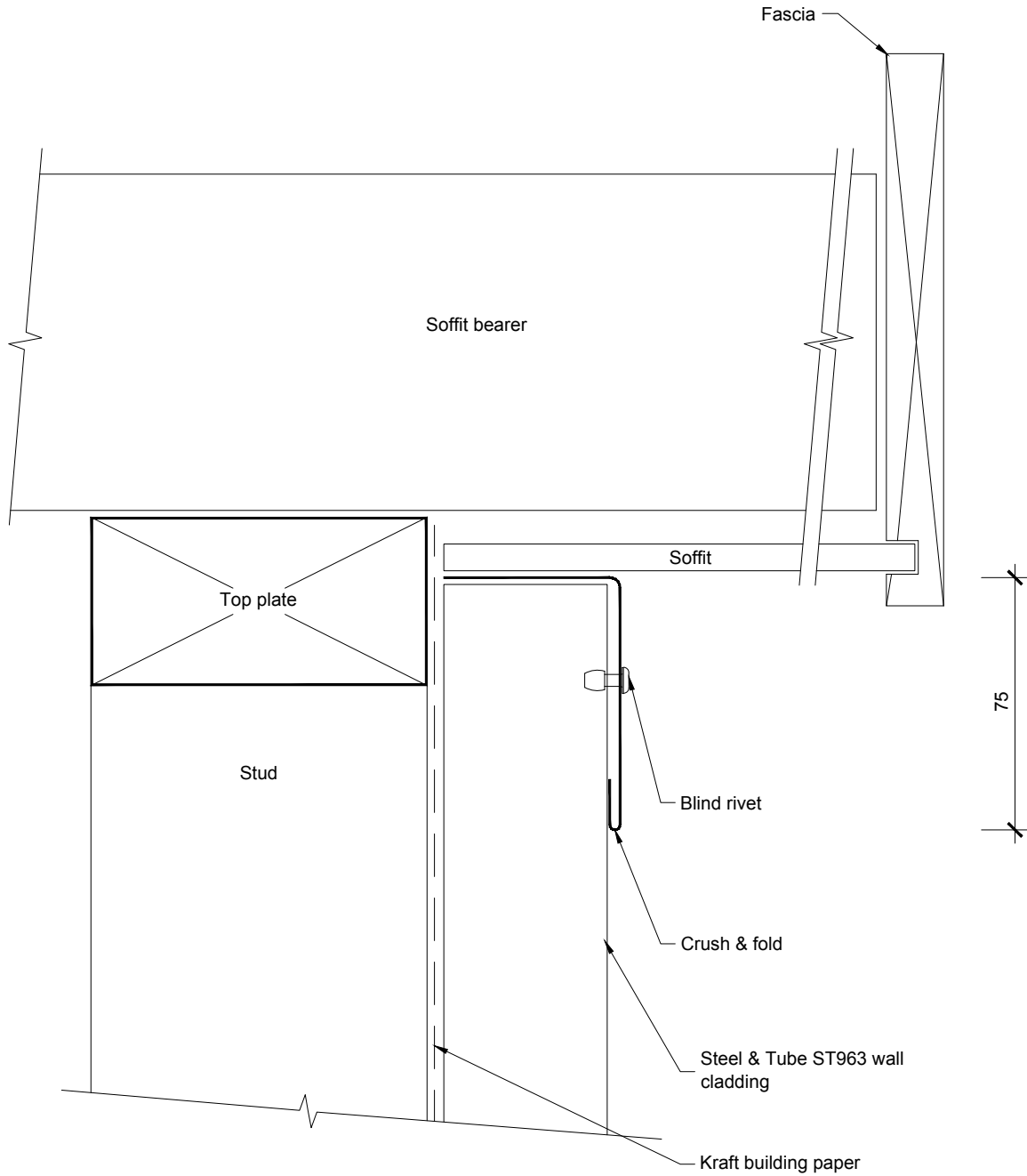
All dimensions in millimetres
Scale 1:2
03/04/12



vrib_st963-jctn_wall_floor

Bottom Of Cladding For Vertical Rib Profile
Cross Section

All dimensions in millimetres
Scale 1:2
03/04/12



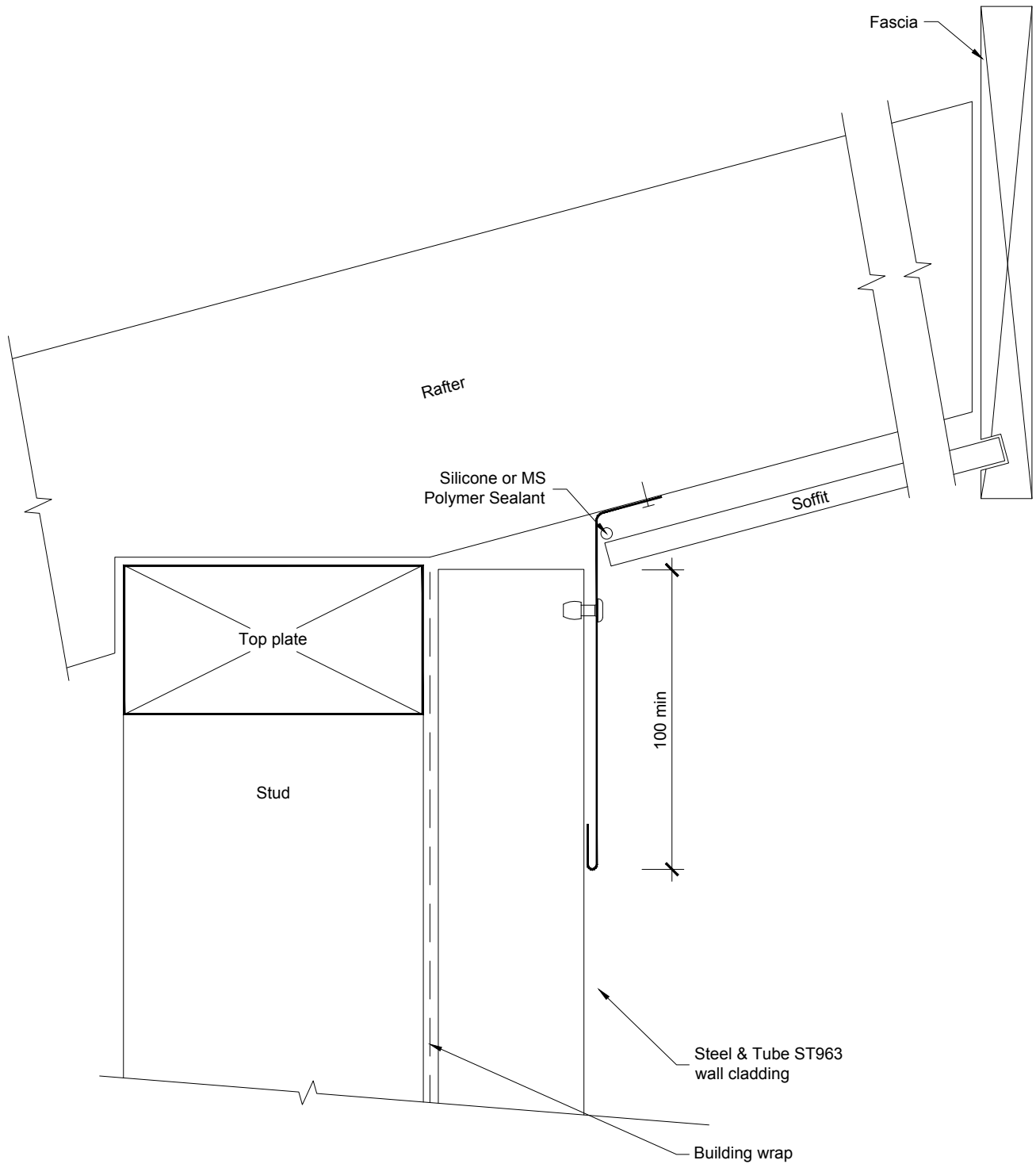
Note:

1: For raking soffits, stop end horizontal sheets at the sloping join.

vrib_st963-soff_hori

Soffit Line - Vertical Rib Profile
Cross Section

All dimensions in millimetres
Scale 1:2
03/04/12



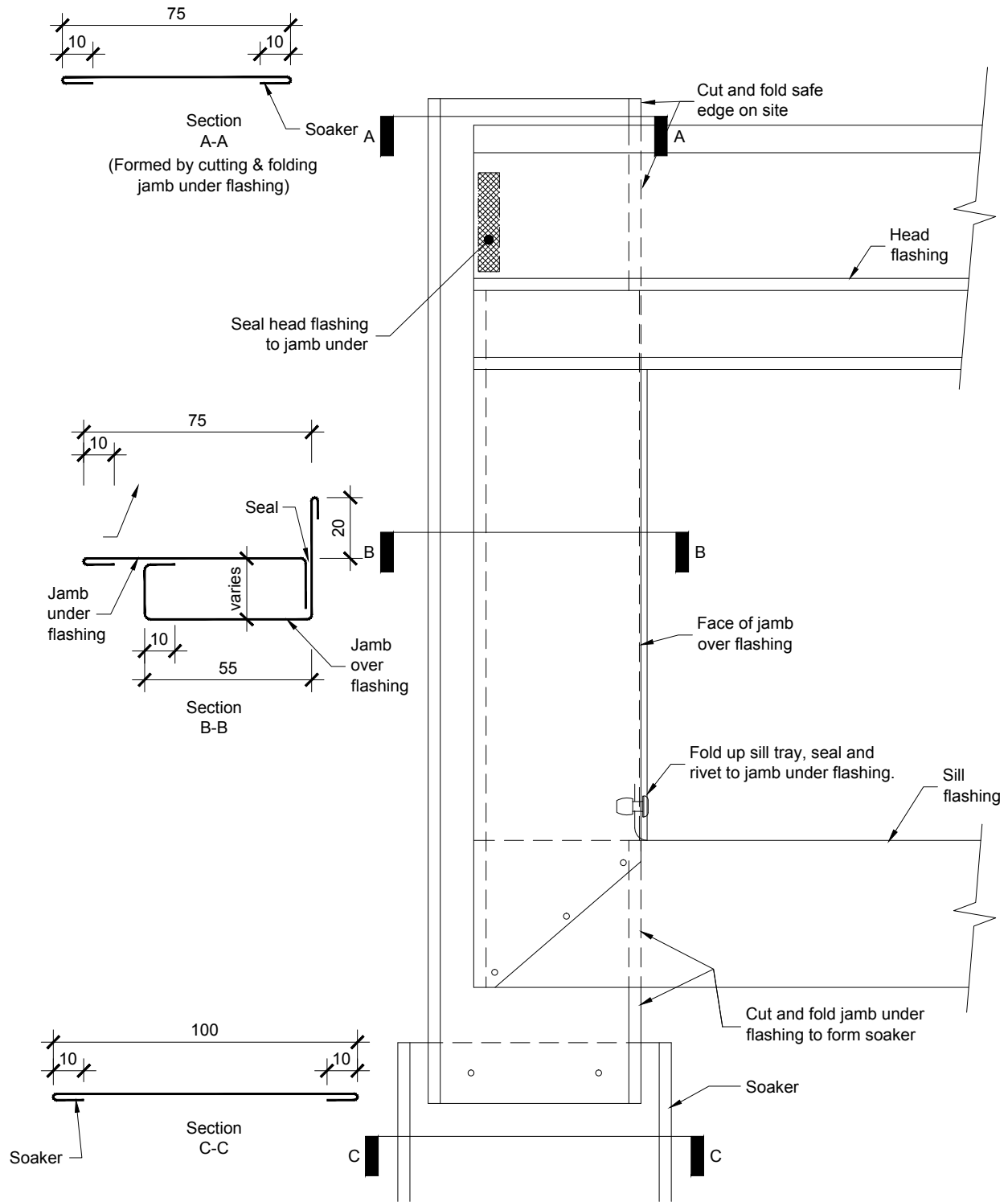
Note:

1. Cavity battens containing copper must be separated from steel cladding by building paper, building wrap, DPC/PVC strips or by painting, otherwise use uPVC Cavibat™.
2. For raking soffits, stop end horizontal sheets at the sloping joint.

vrib_st963-soff_rake

**Soffit Line - Vertical Rib Profile Sloping Soffit
Cross Section**

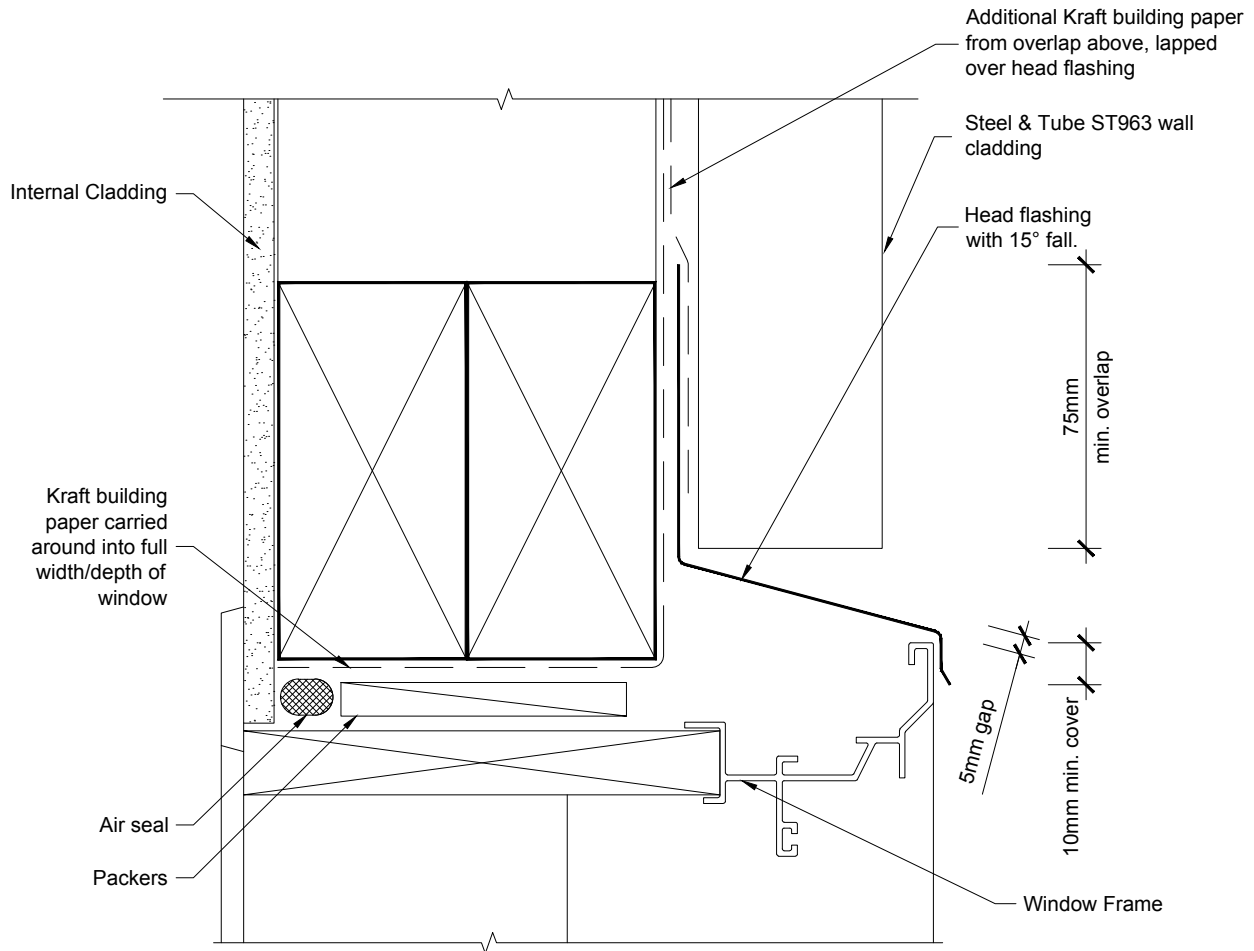
All dimensions in millimetres
Scale 1:2
03/04/12



vrib_st963-wind_alum_dfx_flash

Framed Window for Vertical Rib Profile - Direct Fixed
Window Flashing Layout Cross Section

All dimensions in millimetres
Scale 1:2
03/04/12



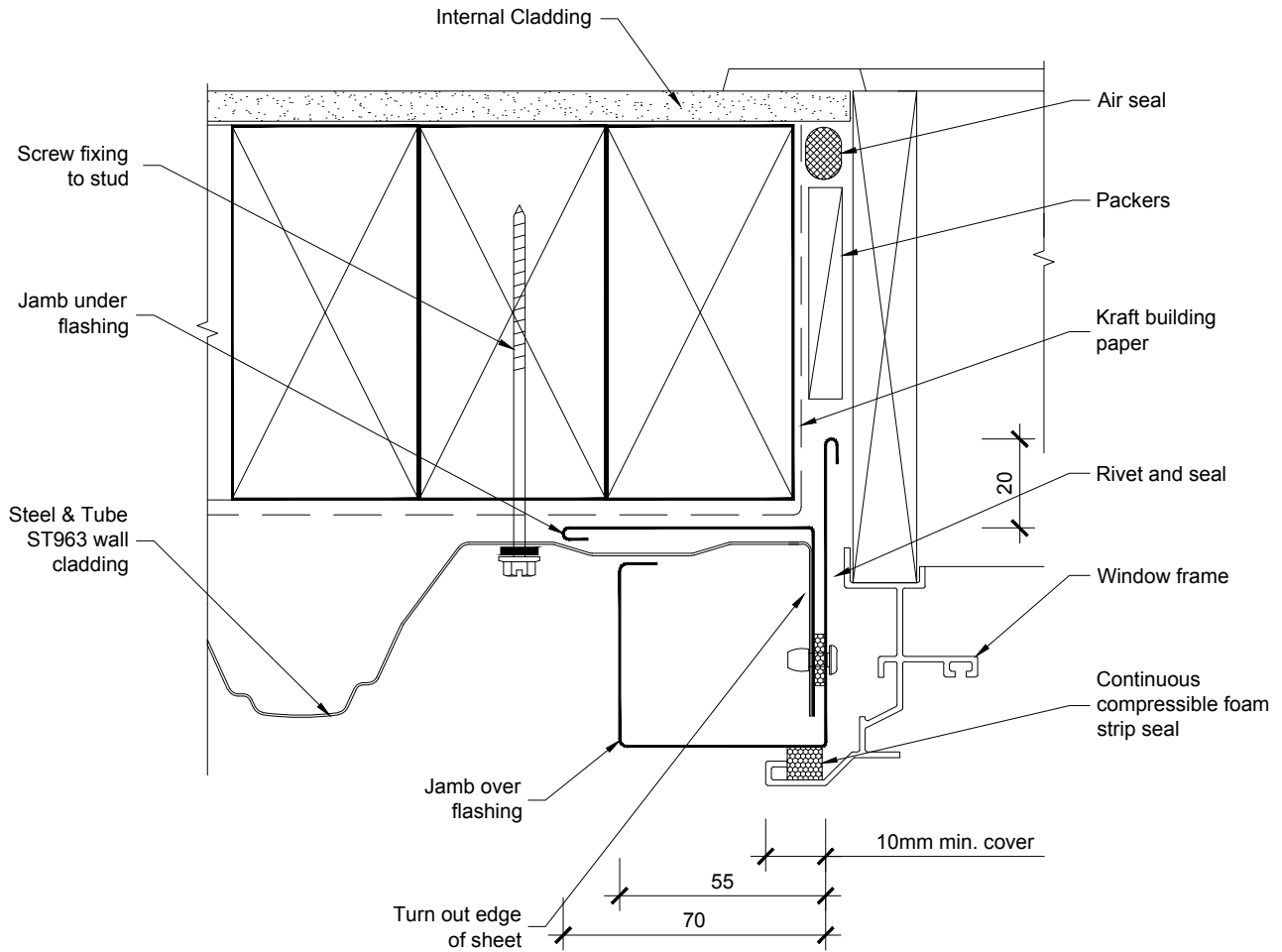
NOTES:

1. Architraves are shown for consistency only, detail may be used with rebated liner.

vrib_st963-wind_alum_dfx_head

**Framed Window for Vertical Rib Profile
Head Cross Section**

All dimensions in millimetres
Scale 1:2
03/04/12



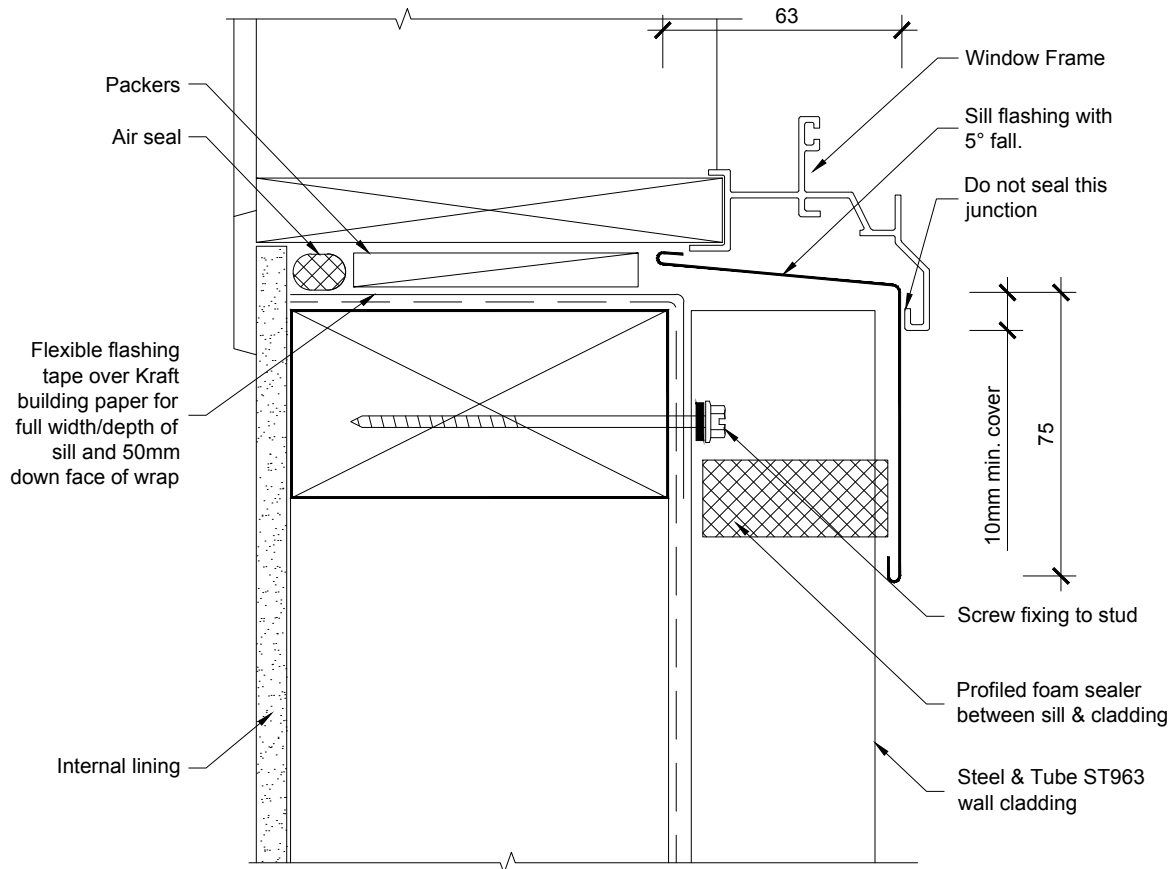
NOTES:

1. Window profile to be selected to achieve cover shown in details.
2. Architraves are shown for consistency only, detail may be used with rebated liner.

vrib_st963-wind_alum_dfx_jamb

**Framed Window for Vertical Rib Profile
Jamb Cross Section**

All dimensions in millimetres
Scale 1:2
03/04/12



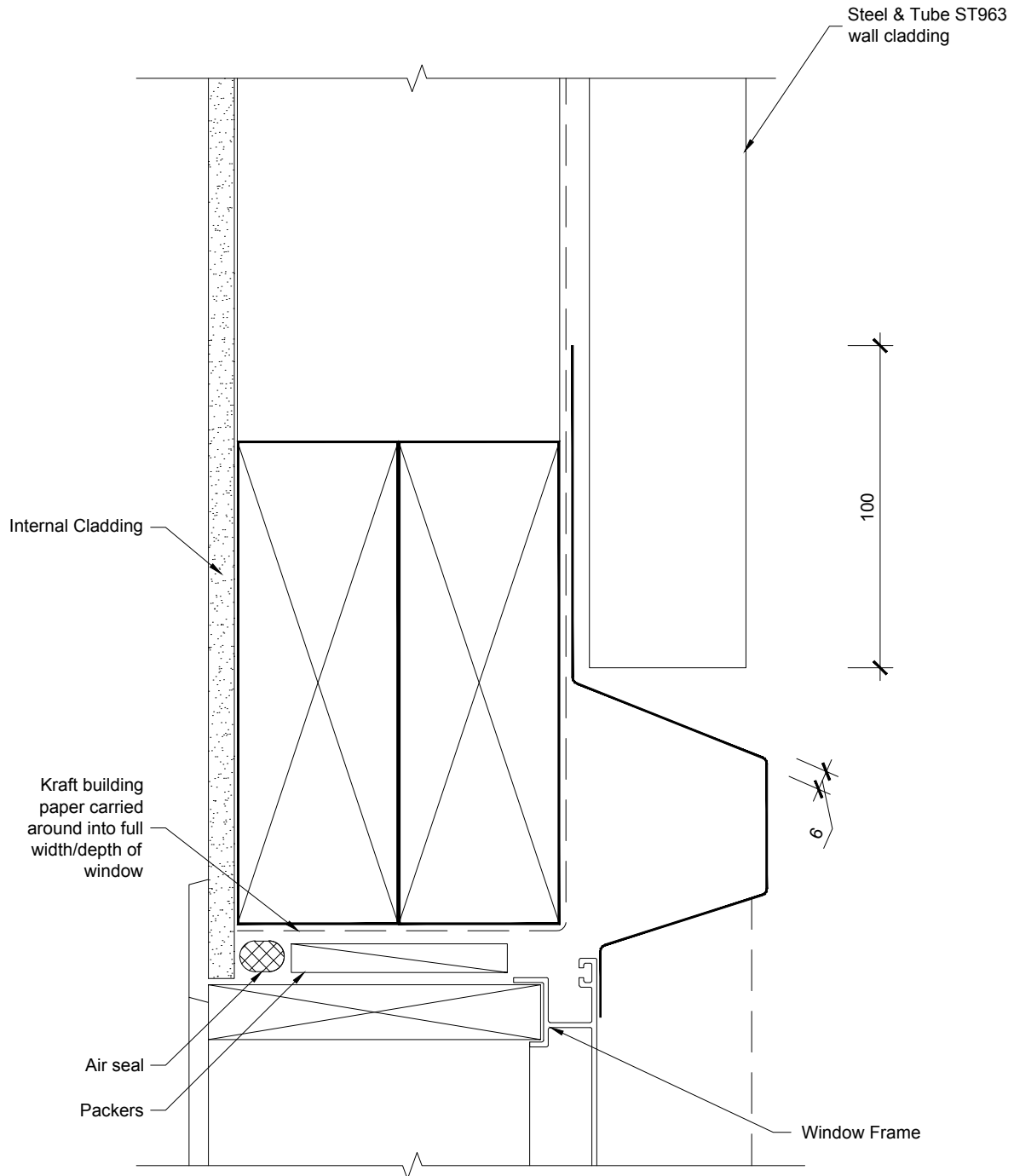
NOTES:

- 1: Window profile to be selected to achieve cover shown in details.
- 2: Architraves are shown for consistency only, detail may be used with rebated liner.
- 3: Make allowance between packer at sills for support brackets for large windows. Sash support brackets require specific design, and shall be supplied by the window manufacturer.

vrib_st963-wind_alum_dfx_sill

**Framed Window for Vertical Rib Profile
Sill Cross Section**

All dimensions in millimetres
Scale 1:2
03/04/12



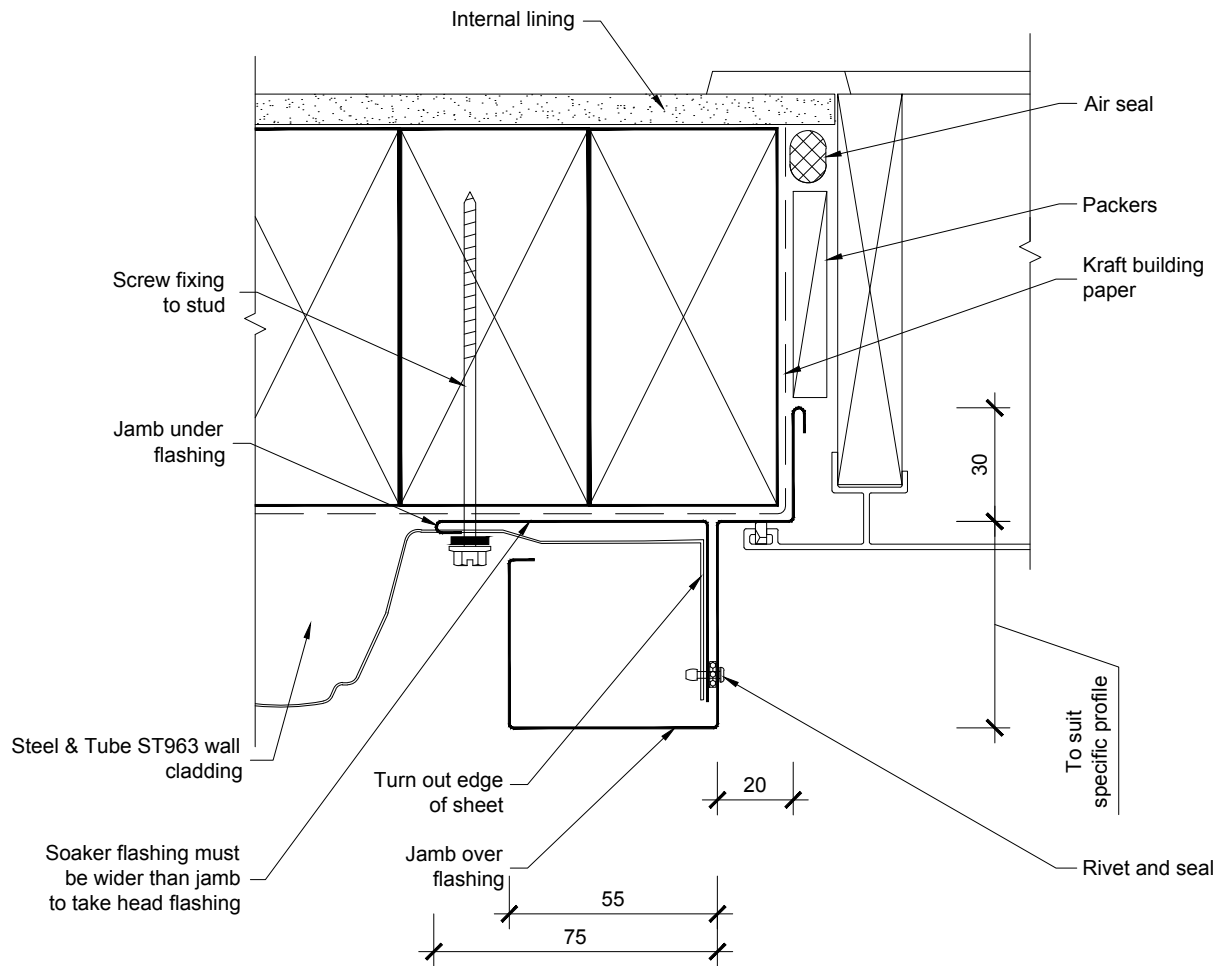
NOTES:

- 1: Architraves are shown for consistency only, detail may be used with rebated liner.

vrib_ST963-wind_alum_rece_head

**Recessed Windows for Vertical Rib Profile - Direct Fixed
Head Cross Section**

All dimensions in millimetres
Scale 1:2
03/04/12



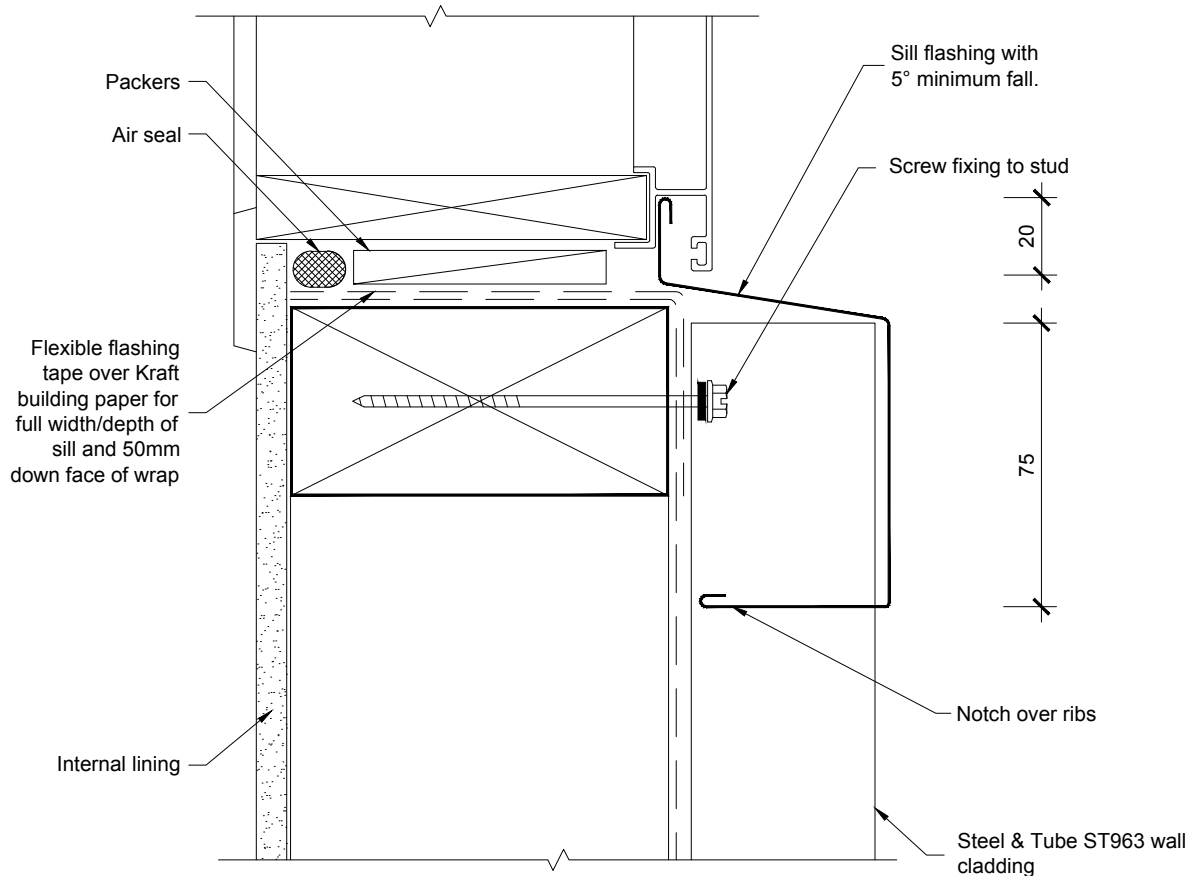
NOTES:

1. Window profile to be selected to achieve cover shown in details.
2. Architraves are shown for consistency only, detail may be used with rebated liner.

vrib_ST963-wind_alum_rece_jamb

Recessed Windows for Vertical Rib Profile - Direct Fixed Jamb Cross Section

All dimensions in millimetres
Scale 1:2
03/04/12



NOTES:

- 1: Window profile to be selected to achieve cover shown in details.
- 2: Architraves are shown for consistency only, detail may be used with rebated liner.
- 3: Make allowance between packer at sills for support brackets for large windows. Sash support brackets require specific design, and shall be supplied by the window manufacturer.

vrib_st963-wind_alum_rece_sill

Recessed Windows for Vertical Rib Profile - Direct Fixed
Sill Cross Section

All dimensions in millimetres
Scale 1:2
03/04/12