

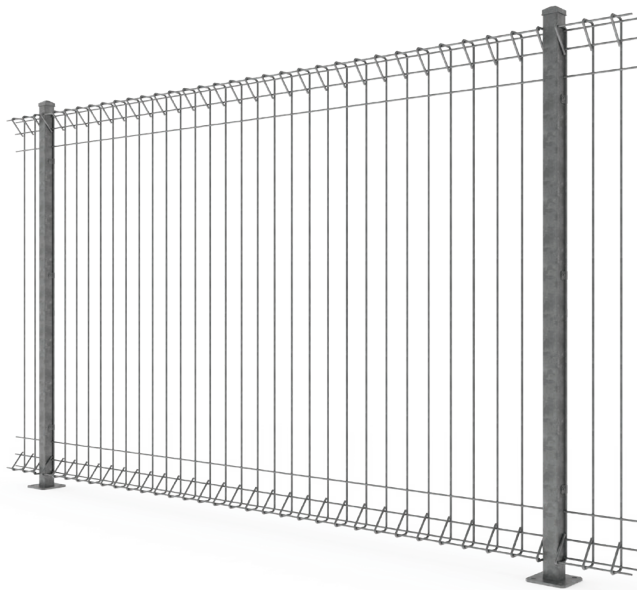
PANEL FENCE

DESIGN DETAILS AND SPECIFICATIONS

RIGID FOLDED WIRE PANEL

Long lasting, versatile and economic, Hurricane panel fences are ideal for long runs of fencing where a visibly unobtrusive barrier is needed along roadways or around services.

Available ex-stock in hot dip galvanised (NZS 4680) finish or satin black powder coated over a hot dipped panel.



DESIGN DETAILS

Powder Coating

Our new improved powder coating process with three layers of protection – chromate pre-treatment, epoxy sealant (optional) and uv-stable satin black powder coat extend the lifespan of this panel.

Applications

- Motorway fencing
- Infrastructure fencing
- Pool fencing
- Swing, Slide and Cantilever gates available made to order

Superior Corrosion Performance

Kinks panels are hot dip galvanised to New Zealand Standard 4680 giving them the best armour against our harsh coastal environment.



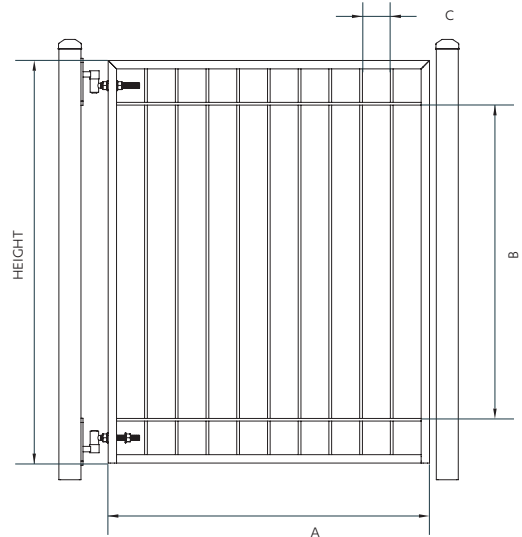
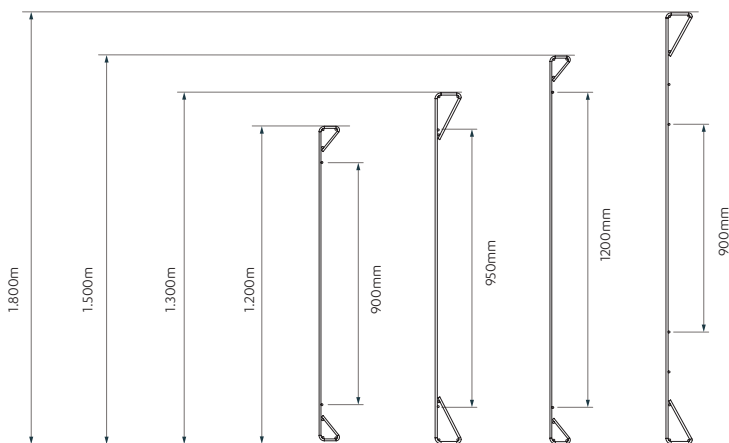
DIMENSIONS

Standard Range

| Code | Height | Width | Wire | Details | Finish |
|----------|---------|--------|---|---|-----------------------|
| P0088721 | 1.200mH | 2.400m | 6.5mm wire for horizontals and verticals | 75mm vertical centres 70mm folds top and bottom | Hot dip galv NZS 4680 |
| P0088725 | 1.500mH | 2.400m | 6.5mm wire for horizontals and 7.5mm wire for verticals | 75mm vertical centres 70mm folds top and bottom | Hot dip galv NZS 4680 |

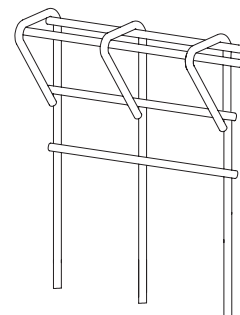
Industrial Range

| Code | Height | Width | Wire | Details | Finish |
|----------|---------|--------|---|---|-----------------------|
| P0088723 | 1.300mH | 2.400m | 6.5mm wire for horizontals and 7.5mm wire for verticals | 75mm vertical centres 88mm folds top and bottom | Hot dip galv NZS 4680 |
| P0088727 | 1.800mH | 2.400m | 6.5mm wire for horizontals and 7.5mm wire for verticals | 75mm vertical centres 88mm folds top and bottom | Hot dip galv NZS 4680 |



Gate Dimensions

| Height | A | B | C | Frame | Wire |
|--------|-------|--------|------|----------------|-------|
| 1.2m | 955mm | 960mm | 83mm | 25 x 1.5mm SHS | 7.5mm |
| 1.5m | 955mm | 1190mm | 83mm | 25 x 1.5mm SHS | 7.5mm |
| 1.8m | 934mm | 1115mm | 83mm | 30 x 1.5mm SHS | 10mm |

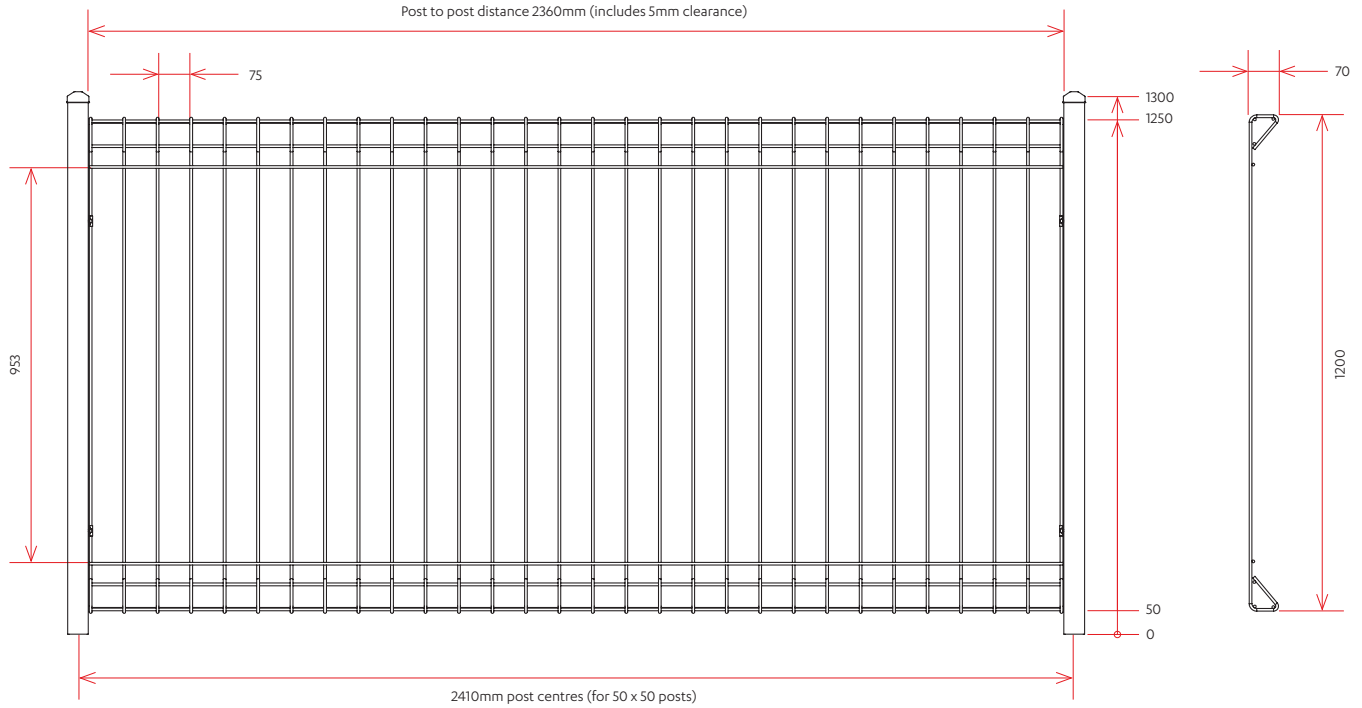


Panels are supplied with mesh clips and 14 gauge tek screws.

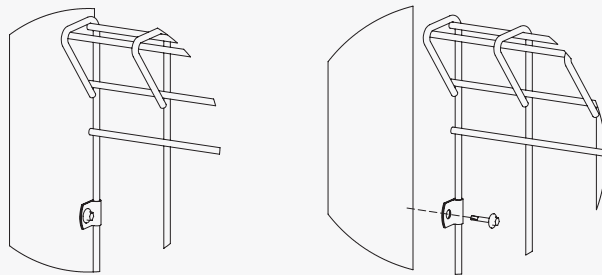
HURRICANE PANEL FENCE 1.2MH

Folded Rigid Wire Panel

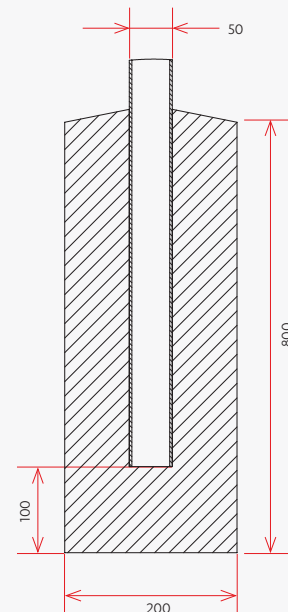
| Code | Material | Finish | Panel Weight | Post | Recommended Post |
|----------|--|--------------------|--------------|--------------------------|---|
| P0088721 | Steel Wire Horizontal: 6.5mm Vertical: 6.5mm | Hot Dip Galvanised | 17 kg | Mesh Clips Tek Screws | Flanged Post 1.3mH, 50 x 1.5mm Inground Post 2.0mH, 50 x 1.5mm |



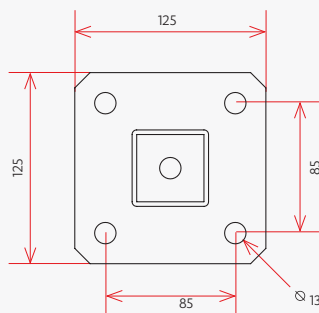
RAIL BRACKET



INGROUND POST



FLANGE POST

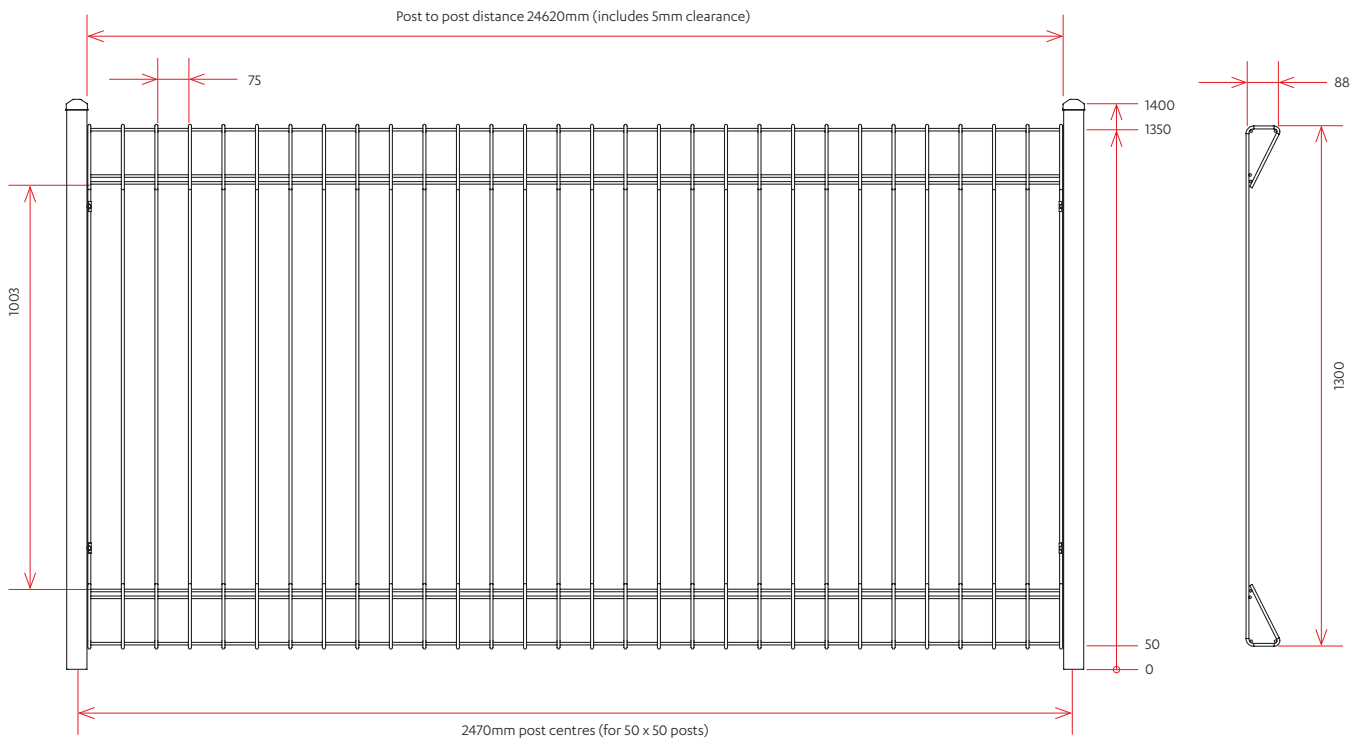


Post Size: SHS 50
Flange Thickness: 8mm
Fixings: M12x75 sleeve anchor

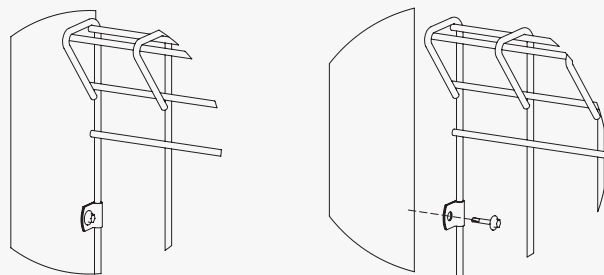
HURRICANE PANEL FENCE 1.3MH

Folded Rigid Wire Panel

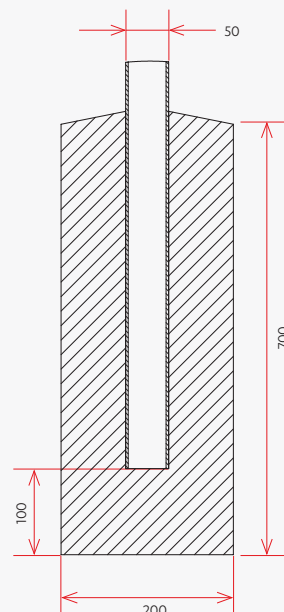
| Code | Material | Finish | Panel Weight | Post | Recommended Post |
|----------|--|--------------------|--------------|--------------------------|---|
| P0088723 | Steel Wire Horizontal: 6.5mm Vertical: 7.5mm | Hot Dip Galvanised | 24 kg | Mesh Clips Tek Screws | Flanged Post 1.4mH, 50 x 1.5mm Inground Post 2.0mH, 50 x 1.5mm |



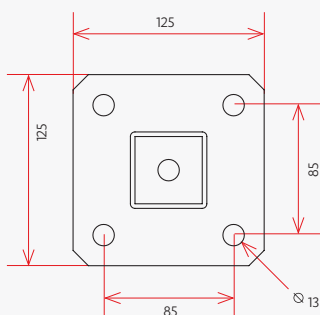
RAIL BRACKET



INGROUND POST



FLANGE POST

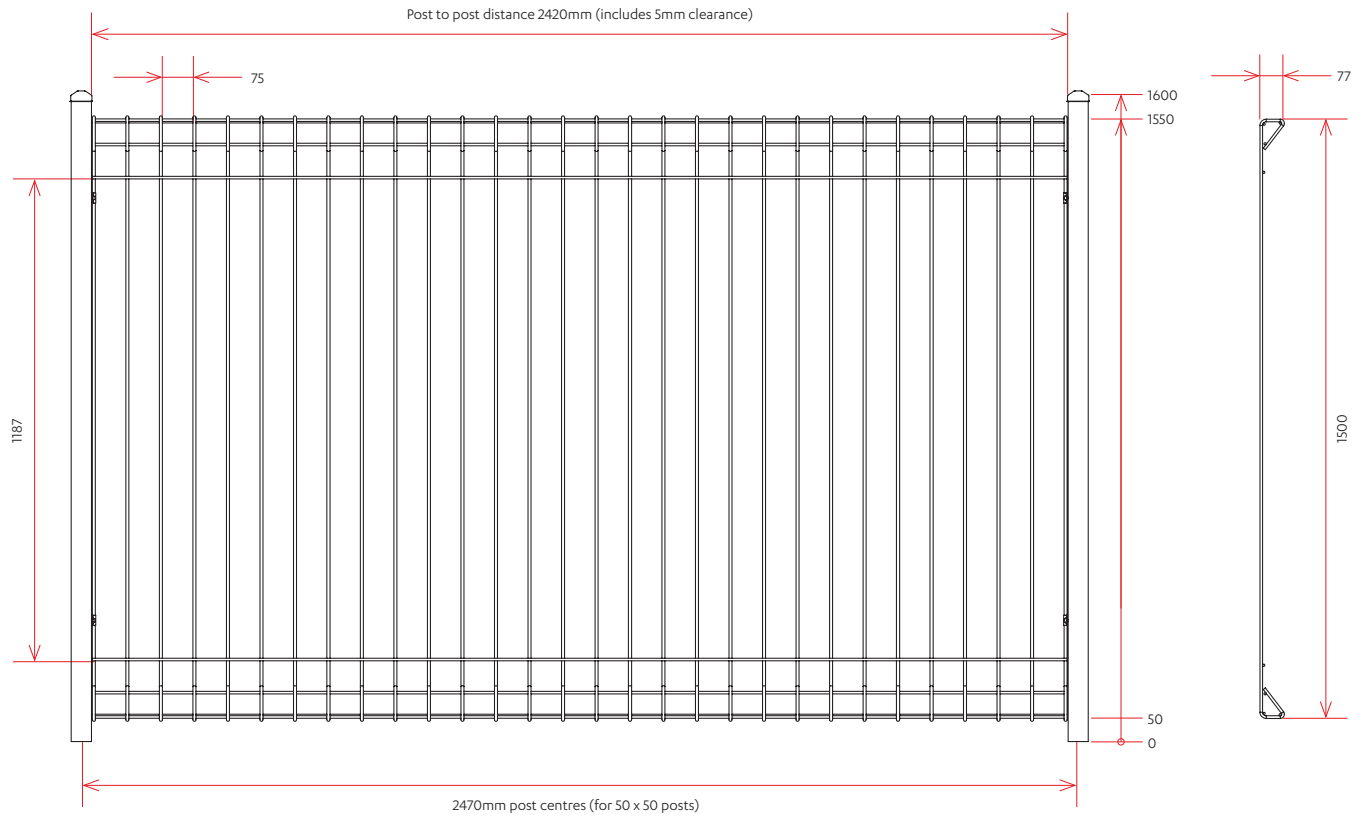


Post Size: SHS 50
Flange Thickness: 8mm
Fixings: M12x75 sleeve anchor

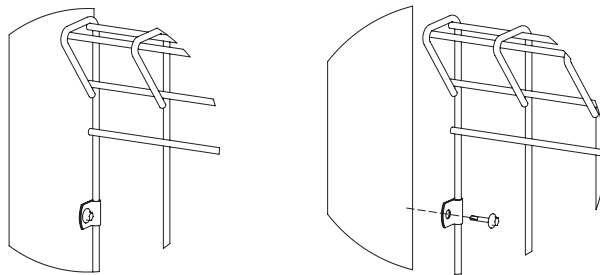
HURRICANE PANEL FENCE 1.5MH

Folded Rigid Wire Panel

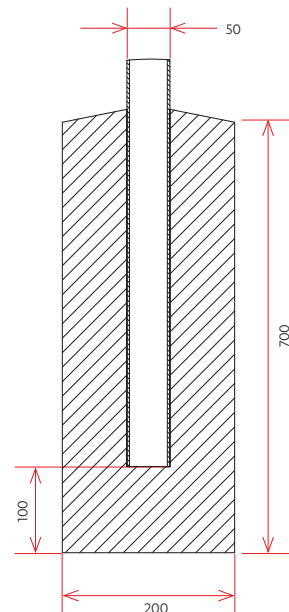
| Code | Material | Finish | Panel Weight | Post | Recommended Post |
|----------|--|--------------------|--------------|--------------------------|---|
| P0088725 | Steel Wire Horizontal: 6.5mm Vertical: 7.5mm | Hot Dip Galvanised | 24 kg | Mesh Clips Tek Screws | Flanged Post 1.6mH, 50 x 1.5mm Inground Post 2.2mH, 50 x 1.5mm |



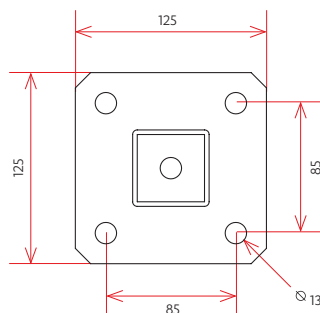
RAIL BRACKET



INGROUND POST



FLANGE POST

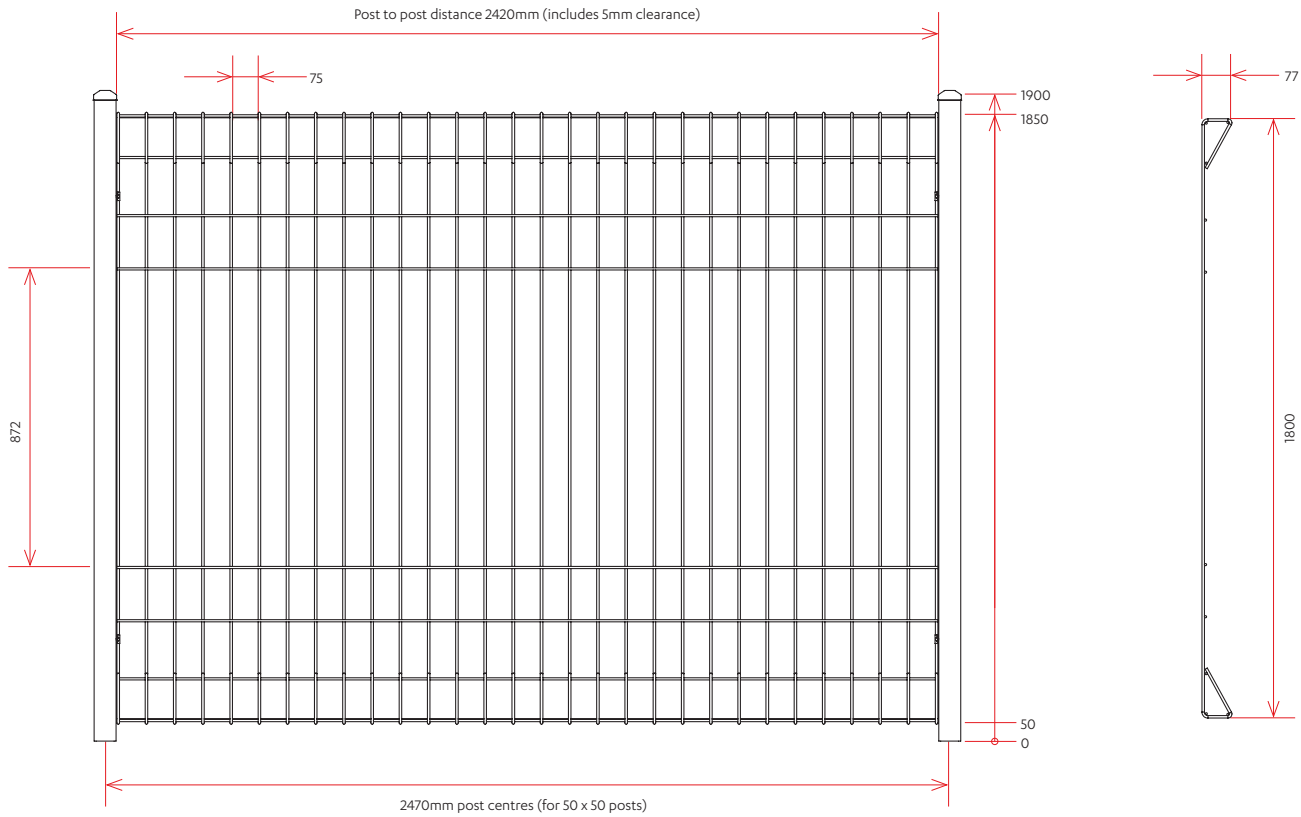


Post Size: SHS 50
Flange Thickness: 8mm
Fixings: M12x75 sleeve anchor

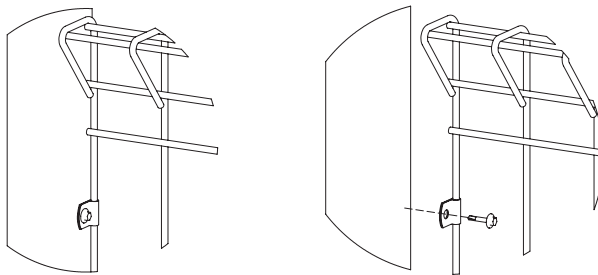
HURRICANE PANEL FENCE 1.8MH

Folded Rigid Wire Panel

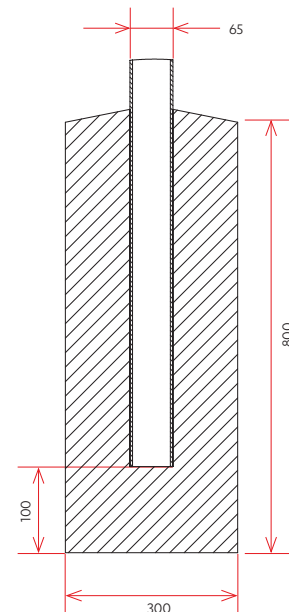
| Code | Material | Finish | Panel Weight | Post | Recommended Post |
|----------|--|--------------------|--------------|--------------------------|---|
| P0088728 | Steel Wire Horizontal: 6.5mm Vertical: 7.5mm | Hot Dip Galvanised | 30 kg | Mesh Clips Tek Screws | Flanged Post 2.6mH, 65 x 2.5mm Inground Post 1.9mH, 65 x 2.5mm |



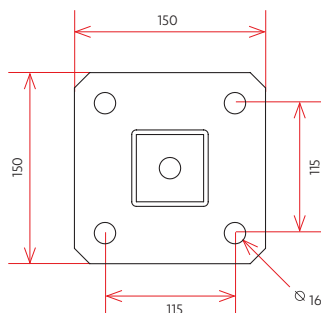
RAIL BRACKET



INGROUND POST



FLANGE POST



Post Size: SHS 65
Flange Thickness: 8mm
Fixings: M12x75 sleeve anchor