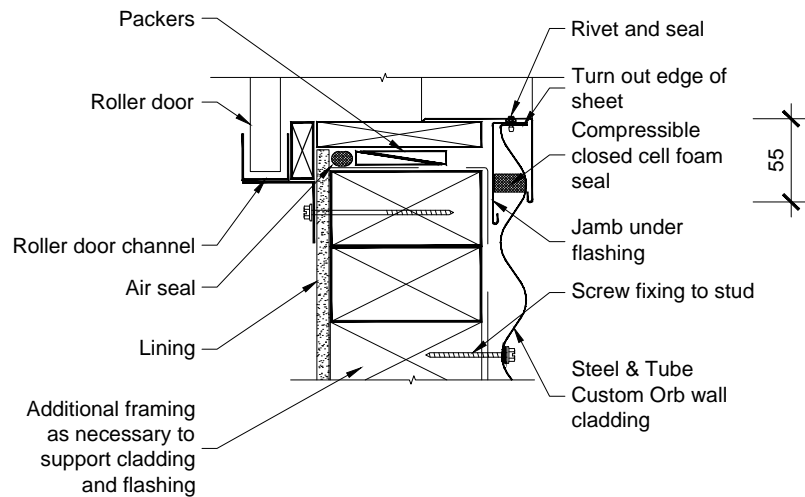


Head Detail



Jamb Detail

genr_general-roll_door

Roller Door Opening Details
Cross Section

All dimensions in millimetres
Scale 1:5
16/01/12