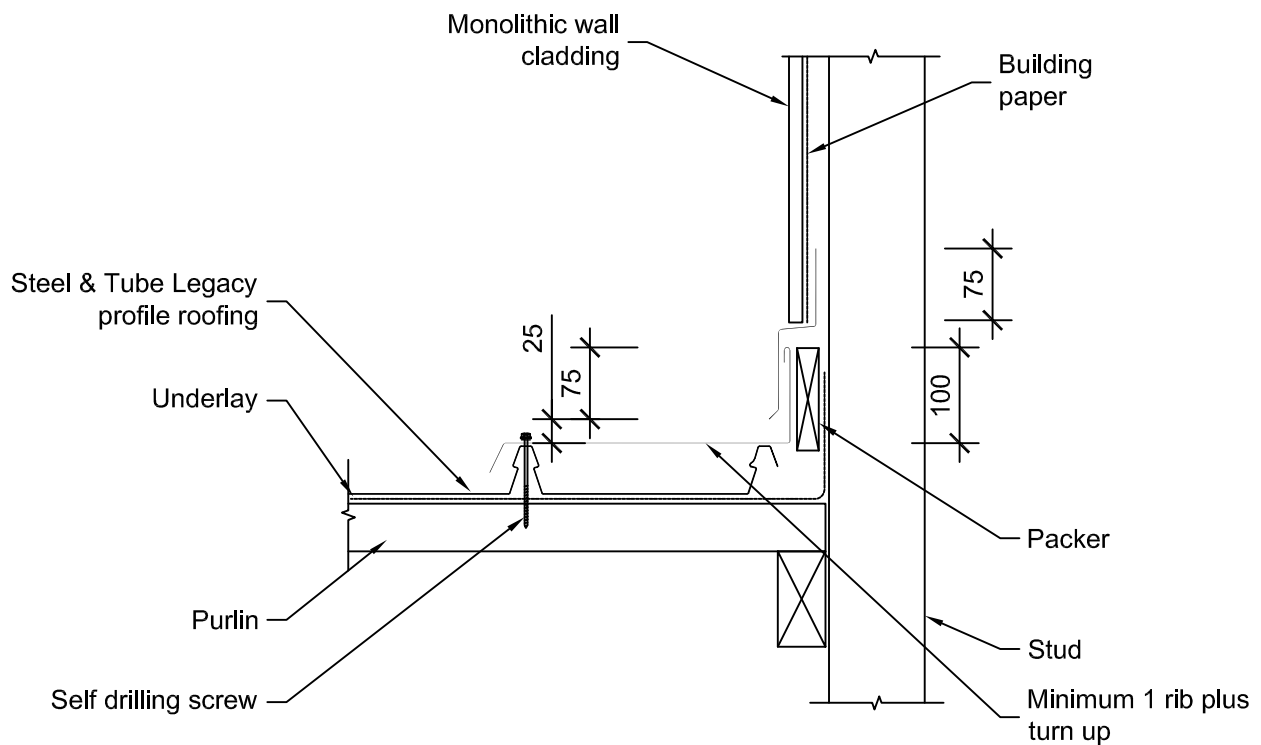


LOW / MEDIUM / HIGH WIND ZONES WHERE PITCH $\geq 10^\circ$



VERY HIGH / EXTRA HIGH WIND ZONES WHERE PITCH $\geq 10^\circ$
ALL WIND ZONES WHERE PITCH $< 10^\circ$

Legacy Side Flashing to Parallel Wall (Abutment Flashing) - Two Piece